



中山市晶艺光电科技有限公司  
ZHONGSHAN JEWELLY OPTOELECTRONIC TECHNOLOGY CO.,LTD.

# 样品承认书

品名: 24\*22 共阳白色彩屏

规格: UL-2422BW

编号: 2017-07

客户签字栏		
核准	审核	承认

本公司签字栏		
核准	审核	制作

地址: 广东省中山市南区昌盛路 4 号

电话: 0760-23886633 23886636 23886632

传真: 0760-23886658

网址: [www.jlul.com](http://www.jlul.com)

电子邮箱: [jinglei@jlul.com](mailto:jinglei@jlul.com)



PART NO.: UL-2422BW

ELECTRICAL AND OPTICAL CHARACTERISTICS(Ta=25°C)

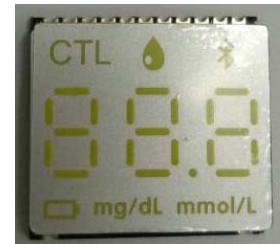
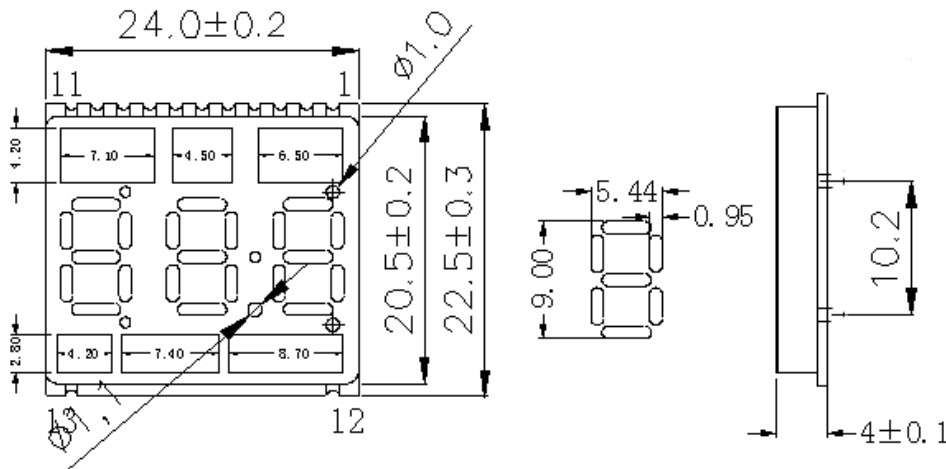
Parameter	Symbol	Min	Typ	Max	Unit	Test Condition
Wave Length	$\lambda P$	---	---	---	nm	IF=20mA(Note1)
Chromaticity Coordinates	X	---	---	---	---	IF=20mA
	Y	---	---	---		IF=20mA
Luminous Intensity	$\phi$	---	2.2	---	LM	IF=20mA
Viewing Angle	$2\theta 1/2$	--	----	--	Deg	IF=20mA
Forward voltage	VF	2.6	3.0	3.8	V	IF=20mA

Remark:Viewing angle is the Off-axis angle at which the luminous intensity is half the axial luminous intensity.

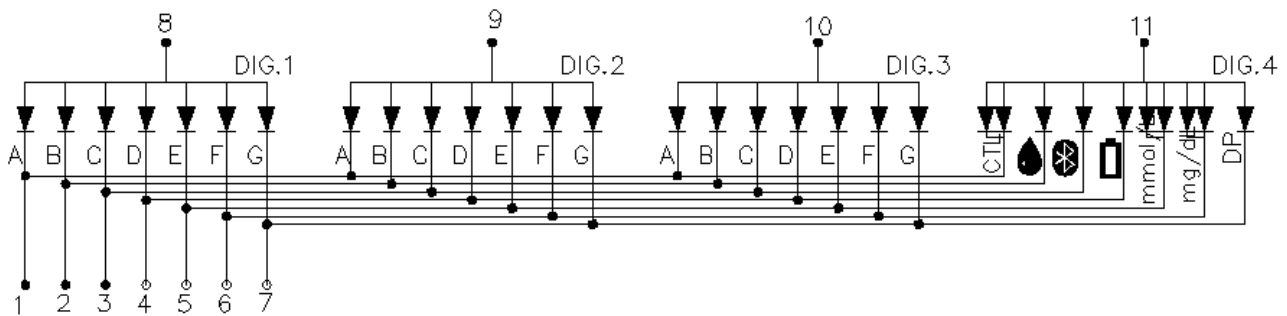
ABSOLUTE MAXIMUN RATINGS(Ta=25°C)

- Reverse Voltage.....5V
- Reverse Current(V<sub>R</sub>=5V).....20 μ A
- Operating Temperature Range.....-25°C~+80°C
- Storage Temperature Range.....-30°C~+80°C
- Lead Soldering Temperature..... 260°C For 5 Seconds

■ PACKAGE DIMENSION:



面膜: G-C2422W



未标注尺寸公差为: ±0.2

客户名称:

工程确认:

日期:



PART NO.: UL-2422BW

TYPICAL ELECTRO-OPTICAL CHARACTERISTICS CURVE:

