



中山市晶艺光电科技有限公司
ZHONGSHAN JEWELLY OPTOELECTRONIC TECHNOLOGY CO.,LTD.

样品承认书

品名： 1.8”一位共阴红色数码管

规格： ULS-18102AS26

编号： 2017-07

| 客户签字栏 | | |
|-------|----|----|
| 核准 | 审核 | 承认 |
| | | |

| 本公司签字栏 | | |
|--------|----|----|
| 核准 | 审核 | 制作 |
| | | |

地址：广东省中山市南区昌盛路4号

电话：0760-23886633 23886636 23886632

传真：0760-23886658

网址：www.jlul.com

电子邮箱：jinglei@jlul.com



中山市晶艺光电科技有限公司

ZHONGSHAN JEWELRY OPTOELECTRONIC TECHNOLOGY CO.,LTD.

PART NO.: ULS-18102AS26

ELECTRICAL AND OPTICAL CHARACTERISTICS(Ta=25°C)

| Chip | | Lens Appearance | Absolute Maximum | | | | Electro-optical Data(AT20mA) | | | |
|---------|------------------|-----------------|-----------------------|---------|---------|-----------|------------------------------|-----|-----|----------|
| Emitted | Peak Wave Length | | $\Delta \lambda$ (nm) | Pd (mW) | If (mA) | Peak (mA) | Vf (V) | | | IV (mcd) |
| | | | | | | | Min | Typ | Max | Typ. |
| Red | 631-635 | White Diff. | 30 | 35 | 20 | 60 | 1.7 | 2.0 | 2.5 | 30-37 |

Remark:Viewing angle is the Off-axis angle at which the luminous intensity is half the axial luminous intensity.

ABSOLUTE MAXIMUM RATINGS(Ta=25°C)

Reverse Voltage.....5V

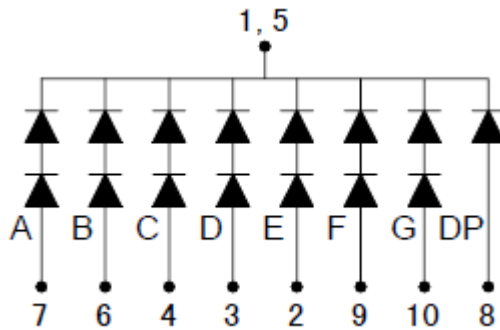
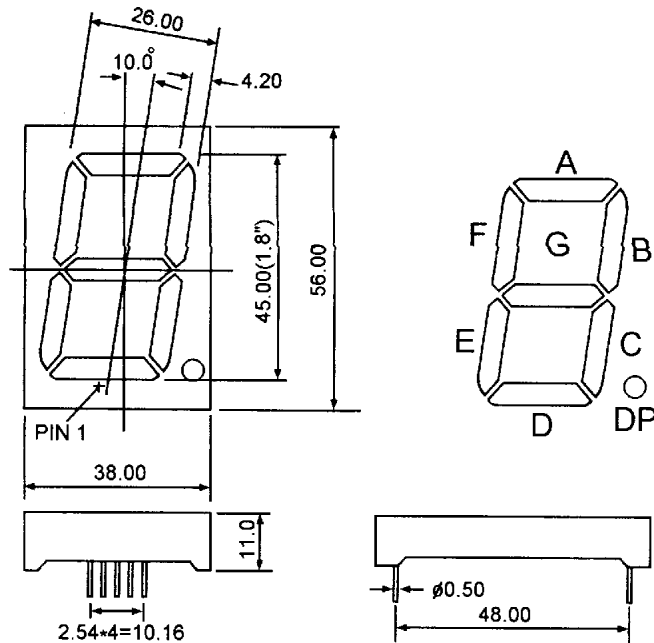
Reverse Current($V_R=5V$).....20 μ A

Operating Temperature Range.....-25°C~+80°C

Storage Temperature Range.....-30°C~+80°C

Lead Soldering Temperature..... 260°C For 5 Seconds

PACKAGE DIMENSION:



未标注尺寸公差: $\pm 0.2\text{mm}$

客户名称:

工程确认:

日期:



中山市晶艺光电科技有限公司

ZHONGSHAN JEWELLY OPTOELECTRONIC TECHNOLOGY CO.,LTD.

PART NO.: ULS-18102AS26

TYPICAL ELECTRO-OPTICAL CHARACTERISTICS CURVE:

