



中山市晶艺光电科技有限公司  
ZHONGSHAN JEWELLY OPTOELECTRONIC TECHNOLOGY CO.,LTD.

# 样品承认书

品名： 三位数码管 0.36”共阴红色

规格： ULT-3361GS26

编号： 2017-07

客户签字栏		
核准	审核	承认

本公司签字栏		
核准	审核	制作

地址：广东省中山市南区昌盛路4号

电话：0760-23886633 23886636 23886632

传真：0760-23886658

网址：[www.jlul.com](http://www.jlul.com)

电子邮箱：[jinglei@jlul.com](mailto:jinglei@jlul.com)



PART NO.: ULT-3361GS26

ELECTRICAL AND OPTICAL CHARACTERISTICS(Ta=25°C)

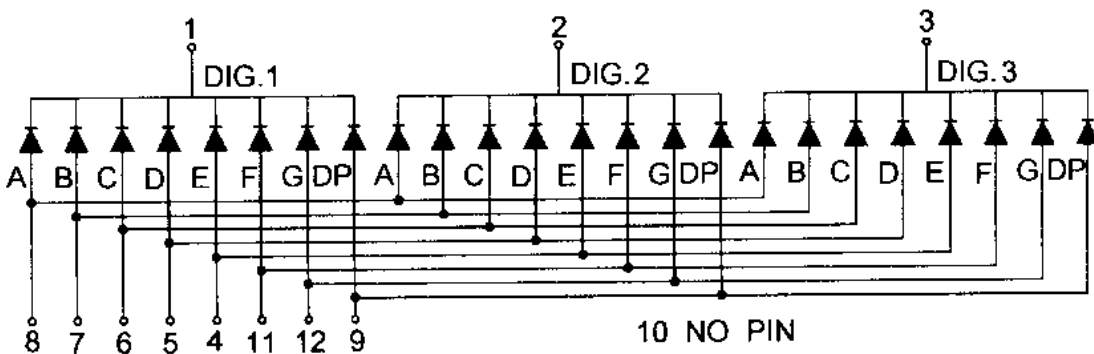
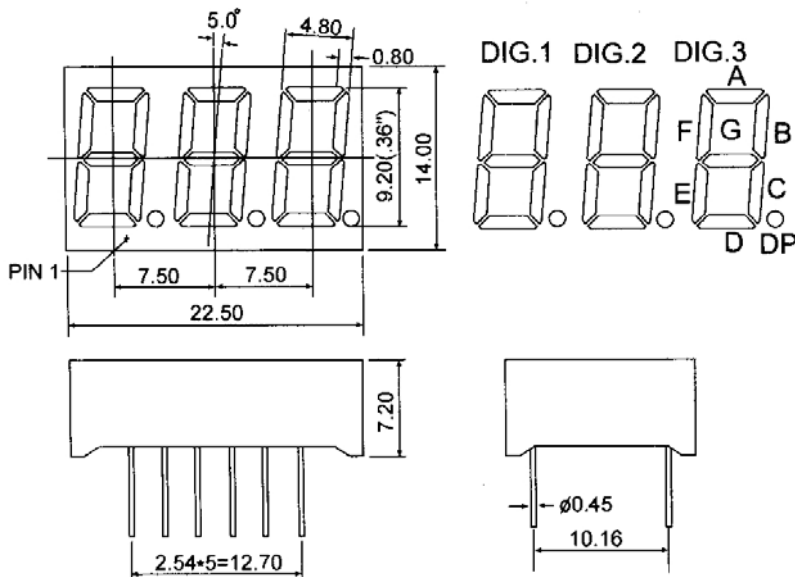
Chip		Lens Appearance	Absolute Maximum				Electro-optical Data(AT20mA)			
Emitted	Peak Wave Length		$\Delta \lambda$ (nm)	Pd (mW)	If (mA)	Peak (mA)	Vf (V)			IV (mcd)
							Min	Typ	Max	Typ.
Red	630-635	White Diff.	30	35	20	60	1.7	2.0	2.5	30-35

Remark: Viewing angle is the Off-axis angle at which the luminous intensity is half the axial luminous intensity.

ABSOLUTE MAXIMUM RATINGS(Ta=25°C)

Reverse Voltage.....5V  
 Reverse Current(V<sub>R</sub>=5V).....20 μ A  
 Operating Temperature Range.....-25°C~+80°C  
 Storage Temperature Range.....-30°C~+80°C  
 Lead Soldering Temperature..... 260°C For 5 Seconds

PACKAGE DIMENSION:



未标注尺寸公差±0.2mm

客户名称:

工程确认:

日期:



PART NO.: ULT-3361GS26

TYPICAL ELECTRO-OPTICAL CHARACTERISTICS CURVE:

