

DOG2 MEMS-Series Inclinometer

Range $\pm 25^\circ$, $\pm 45^\circ$ or $\pm 90^\circ$
Easy to use voltage output
Supply voltage 8-30V
High resolution

The Dual Axis Inclinometer

is mainly developed with focus on platform leveling, dynamic engine management, tip-over protection and tilt alarm.

A fast response time and good accuracy makes this device the ideal choice for mobile leveling applications. It features digital signal processing including temperature compensation.

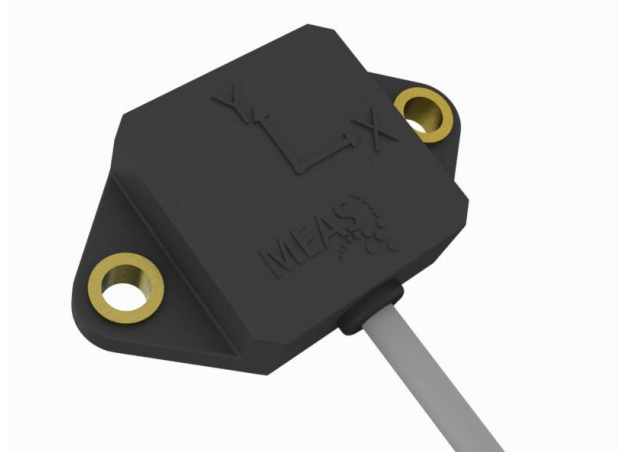
The integrated filter improves performance and allows to use the sensor in many noisy environments (e.g. vibrations).

FEATURES

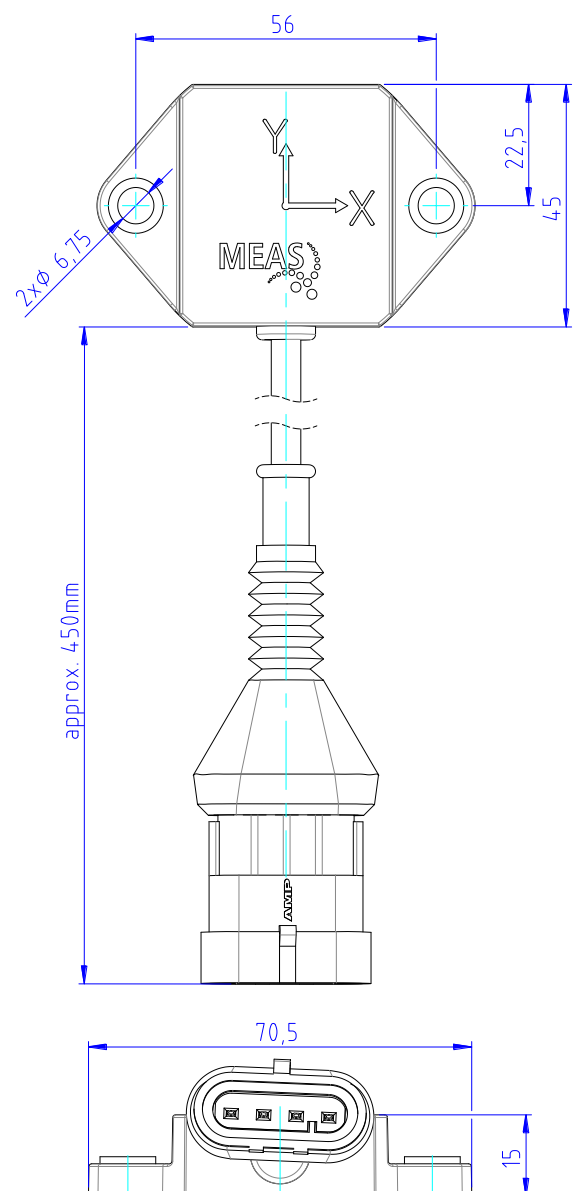
- 8-30V supply voltage (5V on request)
- Digital signal processing includes
 - filter (e.g. vibration damping)
 - temperature compensation
- 12 bit resolution
- up to 100Hz refresh rate
- -40°C to $+85^\circ\text{C}$ temperature range
- Accuracy typically
 - 0.5° (-40°C to $+85^\circ\text{C}$)
 - 0.15° at $+25^\circ\text{C}$

APPLICATIONS

- Platform leveling
- Truck and off-road vehicle cabin or tool leveling
- Crane boom leveling
- Tilt alarm, e.g. digger
- Antenna leveling
- Inclination dependent engine control
- Solar panel elevation control



dimensions



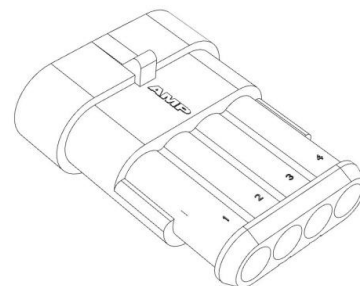
DOG2 MEMS-Series Inclinometer

PARAMETERS

Parameter	Value	Comment
Range	+/- 25°, +/-45° or +/-90°	pitch & roll, other range available on request
Accuracy, typ.	0.5°	T=-40°C ~ +85°C
Accuracy, typ.	0.15°	T=+25°C
Resolution	12 bit	
Refresh rate	50~100 Hz	
Startup time	<1s	valid output angles
Supply/excitation voltage	8 ~ 30V	5V version available as OEM solution on request
Supply current	~10mA	
Output	0.5 ~ 4.5V	-25° ~ +25°, -45° ~ 45° or -90° ~ +90°
Connector	AMP Superseal 1.5-Series, 4-pos cap housing Tyco Art.-Nr. 282106-1	requires 4-pos plug housing from AMP Superseal 1.5-Series at connecting harness, Tyco Art.-Nr. 282088-1
Cable	4 wire 0.25mm ² , outer diameter 6.5mm	length incl. connector 450mm, full temperature range, flexible
Operation temperature range	-40°C ~ +85°C	
Storage temperature range	-40°C ~ +85°C	
Weight	<50g	
Dimensions	70.5 x 45 x 15 mm	W x D x H

USER INTERFACE

Pin	Function	Description
1	V _{CC}	+8 ~ 30V supply input
2	GND	GND
3	Output X	0.5 ~ 4.5V, X axis output
4	Output Y	0.5 ~ 4.5V, Y axis output



COMMENTS

The inclinometer includes a powerful digital signal processing that offers various filter algorithms and allows customer specific adaptations. It is possible to adjust the sensor to different environments to yield an optimized performance. Customization can also be made in terms of angular range and connectivity, i.e cable and connector.

The PA6.6 housing is very compact in size and has compression limiter bushings for safe installation of the sensor. In contrast to uncoated (casted) aluminum, PA6.6 is resistant to atmospheric attack. It is compatible with oil, grease and fuel also. Therefore it is frequently used for engine and vehicle applications.

The information in this sheet has been carefully reviewed and is believed to be accurate; however, no responsibility is assumed for inaccuracies. Furthermore, this information does not convey to the purchaser of such devices any license under the patent rights to the manufacturer. Measurement Specialties, Inc. reserves the right to make changes without further notice to any product herein. Measurement Specialties, Inc. makes no warranty, representation or guarantee regarding the suitability of its product for any particular purpose, nor does Measurement Specialties, Inc. assume any liability arising out of the application or use of any product or circuit and specifically disclaims any and all liability, including without limitation consequential or incidental damages. Typical parameters can and do vary in different applications. All operating parameters must be validated for each customer application by customer's technical experts. Measurement Specialties, Inc. does not convey any license under its patent rights nor the rights of others.

DOG2 MEMS-Series Inclinometer

ordering info

PART NUMBERING	UNIT	SHORT DESCRIPTION
PROT-G-NSDOG2-001	25 DOG2	Dual axis, range +/- 25°, Vcc +8 ...30VDC, output voltage +0.5...+4.5V
PROT-G-NSDOG2-002	45 DOG2	Dual axis, range +/- 45°, Vcc +8 ...30VDC, output voltage +0.5...+4.5V
PROT-G-NSDOG2-003	90 DOG2	Dual axis, range +/- 90°, Vcc +8... 30VDC, output voltage +0.5...+4.5V