

## 1210

1psi

### SPECIFICATIONS

- **PC Board Mountable Pressure Sensor**
- **0-100 mV Output**
- **Current Excitation**
- **Gage and Differential**
- **Temperature Compensated**

The 1210 1psi is a temperature compensated, piezoresistive silicon pressure sensor packaged in a dual-in-line configuration. It is intended for cost sensitive applications where excellent performance and long-term stability are required.

Integral temperature compensation is provided over a range of 0-50°C using laser-trimmed resistors. An additional laser-trimmed resistor is included to normalize pressure sensitivity variations by programming the gain of an external differential amplifier. This provides sensitivity interchangeability of  $\pm 1\%$ .

Please refer to the 1210 standard datasheet for information on products with operating pressures greater than 1psi. For voltage excitation, please refer to the Model 1220.

## FEATURES

- Dual-in-Line Package
- 1.0% Interchangeable Span  
(provided by gain set resistor)
- $\pm 0.3\%$  Non Linearity
- Solid State Reliability

## APPLICATIONS

- Medical Instruments
- Airspeed Measurement
- Process Control
- Factory Automation
- Leak Detection

## STANDARD RANGES

Range	psid	psig	Port Styles
0 to 1	•	•	S, L, N, B*

\*Barb port styles are only available in lead configuration type 3. See Ordering Information.

## PERFORMANCE SPECIFICATIONS

Supply Current: 1.5 mA

Ambient Temperature: 25°C (unless otherwise specified)

PARAMETERS	PRESSURE RANGE 0 – 1 psi			UNITS	NOTES
	MIN	TYP	MAX		
Full Scale Output Span	50	100	150	mV	1
Zero Pressure Output (Offset)	-2.0		2.0	mV	
Pressure Non Linearity	-0.3		0.3	%Span	2
Pressure Hysteresis	-0.1	±0.01	0.1	%Span	
Input/Output Resistance	1800		6500	Ω	
Temperature Error – Span	-1.0	±0.5	1.0	%Span	3
Temperature Error – Zero	-1.0	±0.5	1.0	%Span	3
Thermal Hysteresis – Zero		±0.1		%Span	3
Long Term Stability (Offset & Span)		±0.2		%Span/year	
Supply Current	0.5	1.5	2.0	mA	4
Response Time (10% to 90%)		1.0		mSec	5
Output Noise		1.0		μV p-p	6
Output Load Resistance	2			MΩ	7
Insulation Resistance (50Vdc)	50			MΩ	
Pressure Overload			10	psi	
Operating Temperature	-40		+125	°C	
Storage Temperature	-50		+150	°C	
Media	Non-Corrosive Dry Gases Compatible with wetted materials				8
Weight	3 grams				

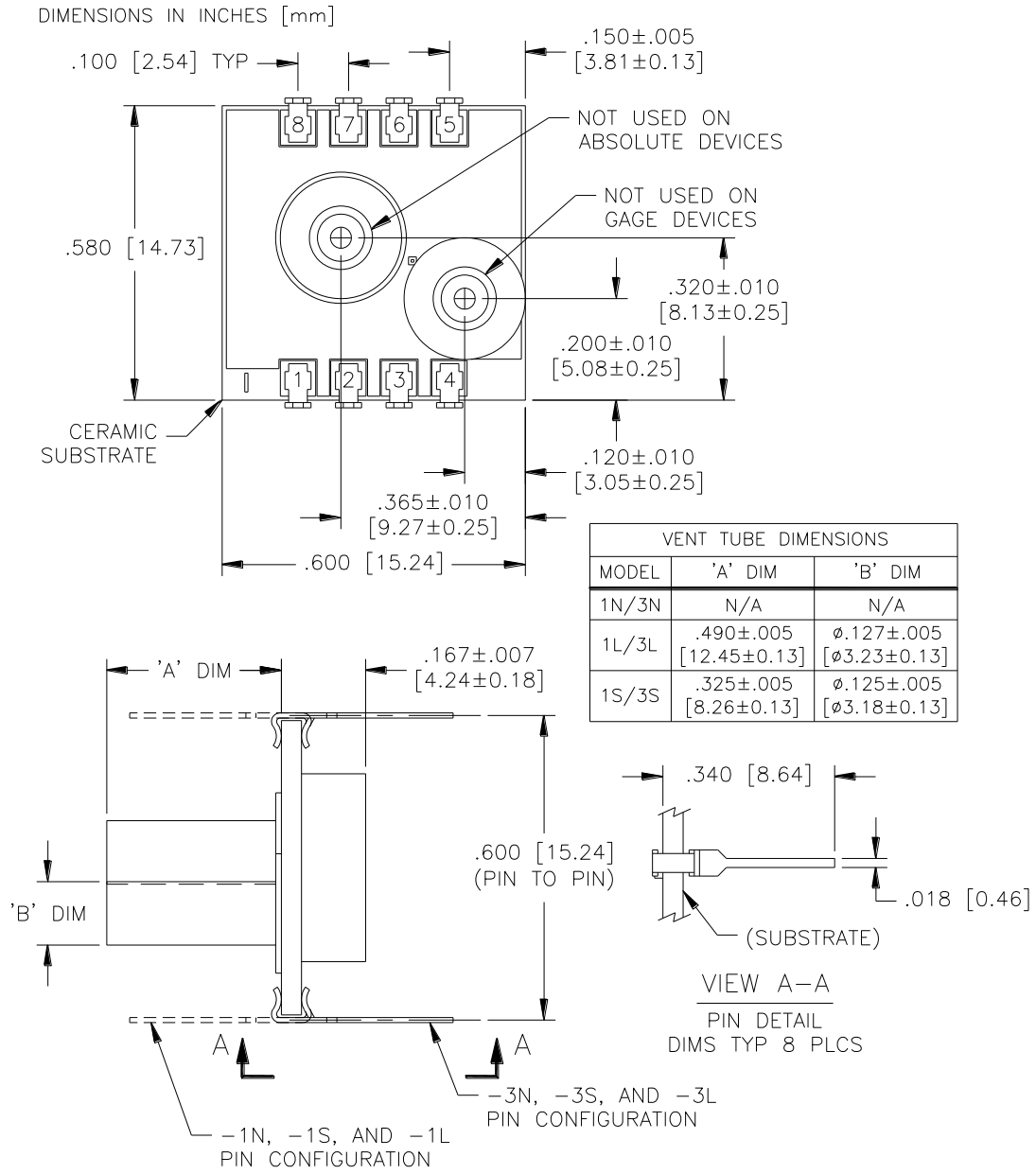
### Notes

1. Output span of unamplified sensor.
  2. Best fit straight line.
  3. Temperature range: 0°C to 50°C with reference to 25°C.
  4. Guarantees input/output ratiometricity for span.
  5. For a zero-to-full scale pressure step change.
  6. 10Hz to 1kHz.
  7. Prevents increase of TC-Span due to output loading.
- Wetted materials: glass, ceramic, silicon, fluorosilicone, nickel, gold and aluminum

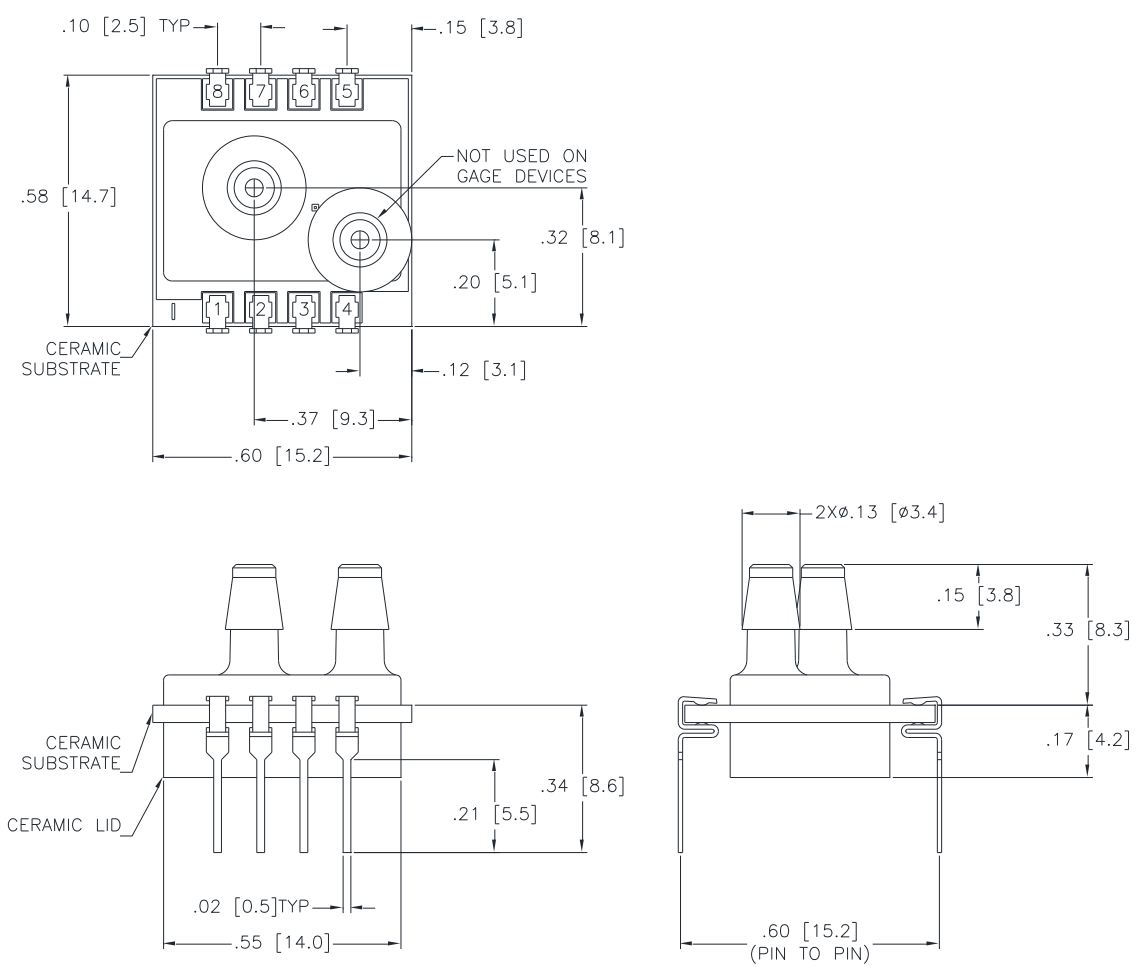
### Additional Notes

Soldering leads pins: 250°C for 5 seconds, maximum.

DIMENSIONS (TUBE VERSION)

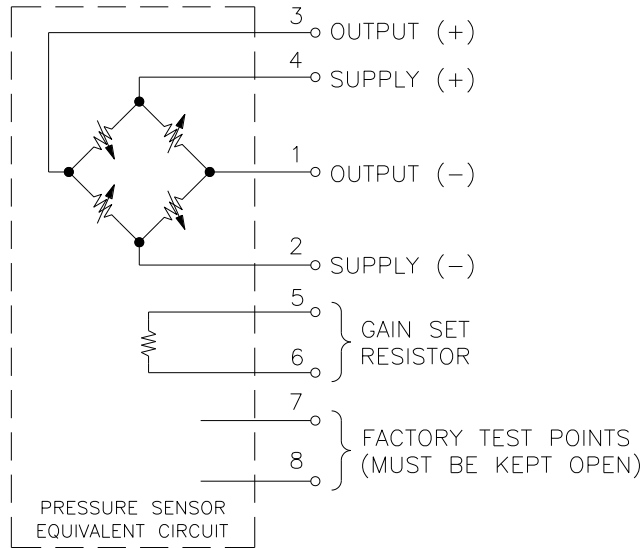


DIMENSIONS (BARB VERSION)

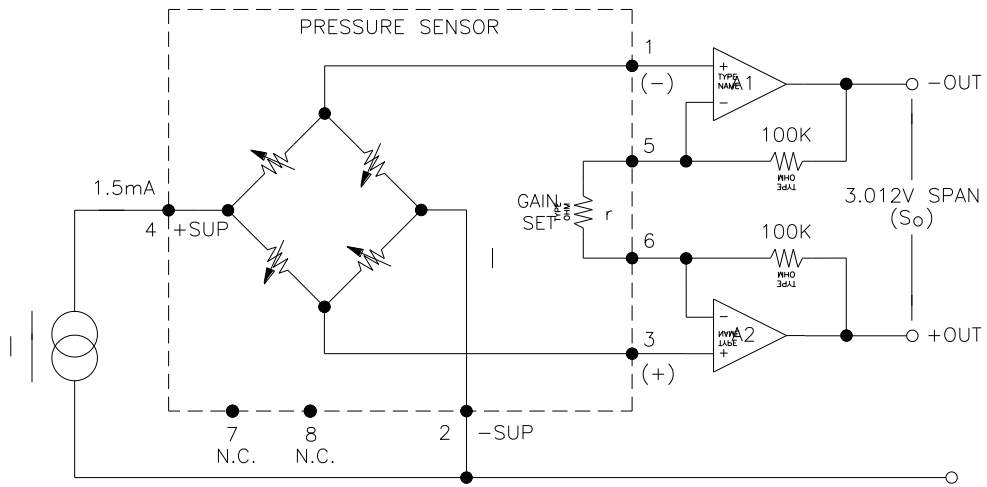


PAD NO	FUNCTION
1	-OUT
2	-EX
3	+OUT
4	+EX
5,6	GAIN
7,8	TEST

CONNECTIONS

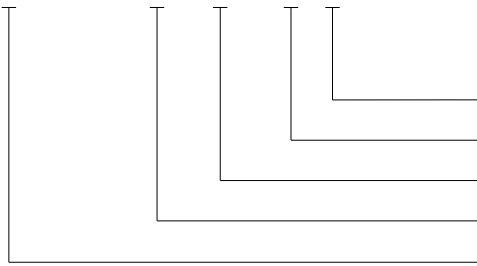


APPLICATION SCHEMATIC



ORDERING INFORMATION

1210A - 001 G - 3 S



Vent (L = Long, S = Short, N = None, B = Barb)

Lead Configuration (1 = Same side as vent, 3 = Opposite side as vent)

Type (G= Gage, D = Differential)

Pressure Range

Model

\*Barb vent port style only available in lead configuration type 3.