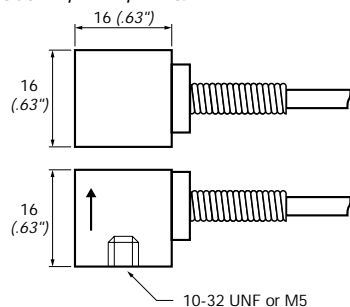


Specifications

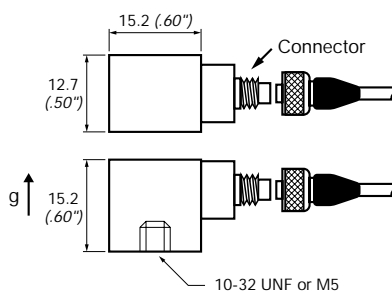


EGCS Mountings (Complete dimensions on pages E17 & E18)

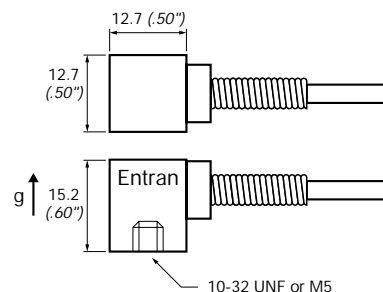
EGCS-A1, -A1M, -B1 & -B1M



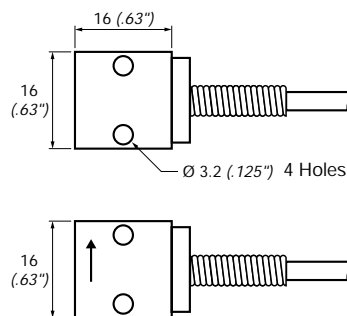
EGCS-D1C & -D1CM



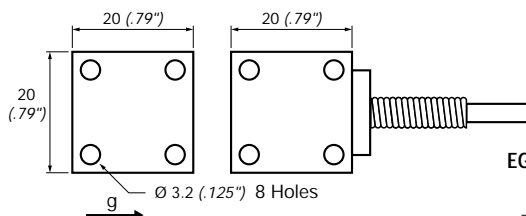
EGCS-D1S & -D1SM



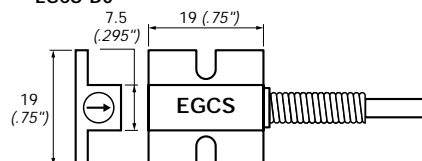
EGCS-A2, -B2 & -D2



EGCS-A4, -B4 & -D4



EGCS-D0



Dim: mm (inches)

EGCS Series

g RANGES "FS"	g OVERRANGE LIMIT	FREQUENCY RESPONSE $\pm 1/2$ dB nom./min.	NATURAL FREQUENCY nom.	SENSITIVITY mV/g nom.			OUTPUT "FSO" nom.		
				-A	-B	-D	-A	-B	-D
± 2 (Note 1)	± 200	0 to 90/50 Hz	170 Hz	2500	1250	100	$\pm 5V$	$\pm 2.5V$	$\pm 200mV$
± 5	± 500	0 to 150/80 Hz	300 Hz	1000	500	40	$\pm 5V$	$\pm 2.5V$	$\pm 200mV$
± 10	± 1000	0 to 200/120 Hz	400 Hz	500	250	20	$\pm 5V$	$\pm 2.5V$	$\pm 200mV$
± 25	± 2000	0 to 400/240 Hz	800 Hz	200	100	8	$\pm 5V$	$\pm 2.5V$	$\pm 200mV$
± 50	± 5000	0 to 600/350 Hz	1200 Hz	100	50	4	$\pm 5V$	$\pm 2.5V$	$\pm 200mV$
± 100	± 10000	0 to 900/500 Hz	1800 Hz	50	25	2	$\pm 5V$	$\pm 2.5V$	$\pm 200mV$
± 250	± 10000	0 to 1300/750 Hz	2600 Hz	20	10	0.8	$\pm 5V$	$\pm 2.5V$	$\pm 200mV$
± 500	± 10000	0 to 1750/1000 Hz	3500 Hz	10	5	0.4	$\pm 5V$	$\pm 2.5V$	$\pm 200mV$
± 1000	± 10000	0 to 2500/1500 Hz	5000 Hz	5	2.5	0.2	$\pm 5V$	$\pm 2.5V$	$\pm 200mV$
± 2500	± 10000	0 to 3500/2000 Hz	7000 Hz	2	1	0.08	$\pm 5V$	$\pm 2.5V$	$\pm 200mV$
± 5000	± 10000	0 to >4000/2400 Hz	>8000 Hz	1	0.5	0.04	$\pm 5V$	$\pm 2.5V$	$\pm 200mV$

Notes: ¹Available on models A2, A4, B2, B4 and D0 only.

EXCITATION:

IMPEDANCE IN:

IMPEDANCE OUT:

ZERO OFFSET AT 20°C (70°F):

THERMAL ZERO SHIFT /50°C (/100°F):

THERMAL SENSITIVITY SHIFT (TSS):

NON-LINEARITY & HYSTERESIS:

TRANSVERSE SENSITIVITY:

DAMPING RATIO AT 20°C (70°F):

OVERRANGE STOPS:

OPERATING TEMPERATURE:

COMPENSATED TEMPERATURE:

CE CONFORMANCE:

A = $\pm 15VDC$

A = 15mA max.

A = 1 Ω nom.

A = $\pm 250mV$ typ

A = $\pm 50mV$

$\pm 2.5\%/50^\circ C$ ($\pm 2.5\%/100^\circ F$)

$\pm 1\%$ FSO

2% max.

0.7 nom. (0.5 to 0.9)

Integral

-40°C to 120°C (-40°F to 250°F)

20°C to 80°C (70°F to 170°F)

EN 61010-1, EN 50081-1, EN 50082-1

B = 28VDC (24-32VDC)

B = 15mA max.

B = 1K Ω nom.

B = $\pm 250mV$ typ

B = $\pm 50mV$

D = 15VDC

D = 2K Ω nom.

D = 1K Ω nom.

D = $\pm 15mV$ typ

D = $\pm 2mV$

"Off-the-Shelf" Stocking Program

EGCS E15	TITLE EGCS ACCELEROMETERS High Sensitivity Heavy Duty	Entran Devices, Inc. FAIRFIELD, NJ, USA		
		SPECIFICATION NUMBER	ISSUE	PAGE
		EGCSS001U	PA1	1 of 4

Options and Accessories:

COMPENSATED TEMPERATURE RANGES:	STANDARD	= 20°C to 80°C (70°F to 170°F)
	Z1	= -20°C to 40°C (0°F to 100°F)
	Z2	= 0°C to 60°C (32°F to 140°F)
	Z4	= 40°C to 90°C (100°F to 200°F)
	Z*	= Non-standard, contact Entran
EXCITATION VOLTAGE:	V*	= Non-standard Excitation with standard FSO and non-standard TSS, contact Entran.
SPECIAL CABLE LENGTH:	L00F	= Replace "00" with total length in feet.
	L00M	= Replace "00" with total length in meters.
WATERPROOFING LEAD EXIT:	X	= For short term waterproofing, contact Entran. Limited to 105°C (220°F).
CONNECTOR WIRED TO CABLE:	C	= Microtech type male (w/o mate)
	RS	= RJ Telephone type male (w/o mate)
MATING CONNECTORS FOR CONNECTOR OPTIONS:	See Cable and Connector Bulletins	
TRIAxIAL MOUNTING BLOCK:	MTG-F4 For mounting 3 EGCS-D0 (see EG Accessories)	

Model Number construction:

EGCS Series	-D Specifications	0 Housings	-	100 Range	-	/Z1/L2M/RS Options
	-A or -B	1, 1M 2 4				C or RS L00F or L00M X Z1,Z2,Z4, or Z*
	-D	0 1C, 1CM 1S, 1SM 2 4				

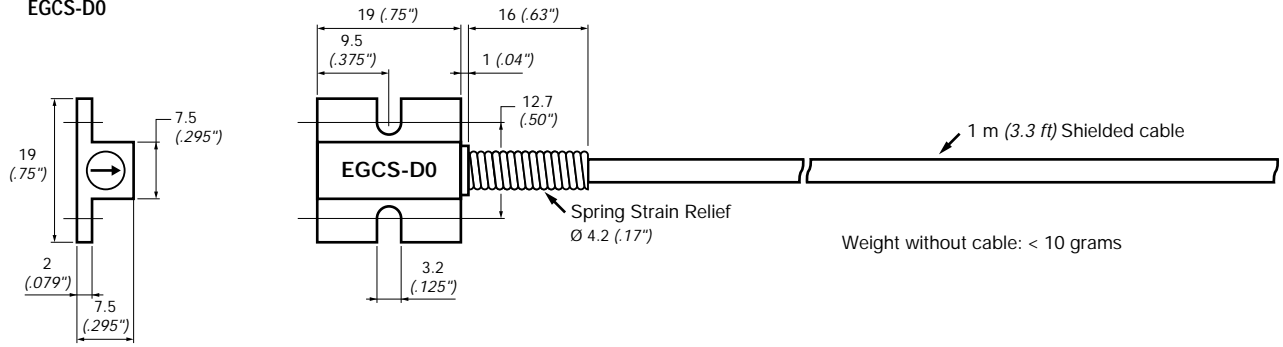
■ "Off-the-Shelf" Stocking Program

	EGCS ACCELEROMETERS	SPECIFICATION NUMBER	ISSUE	PAGE
		EGCSS001U	PA0	2 of 4

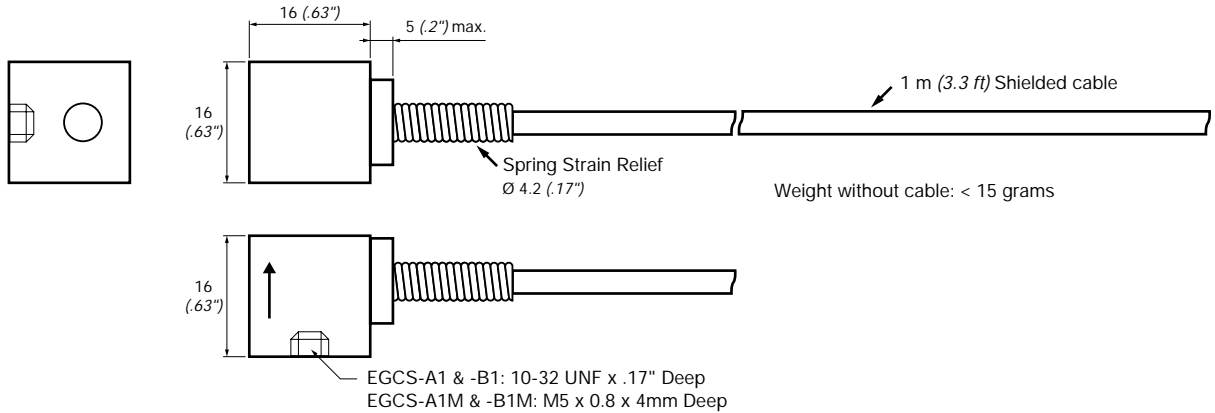
specifications continued

EGCS-D0, EGCS-A1, EGCS-B1, EGCS-D1S & EGCS-D1C

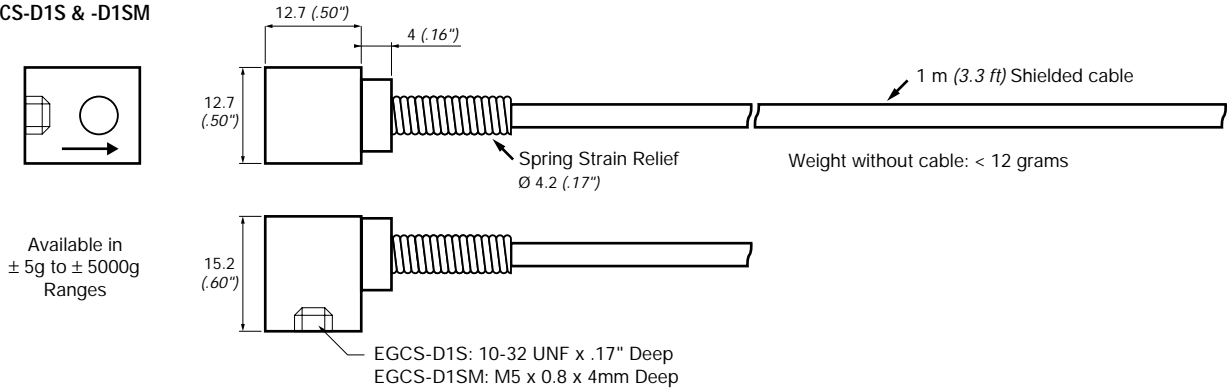
EGCS-D0



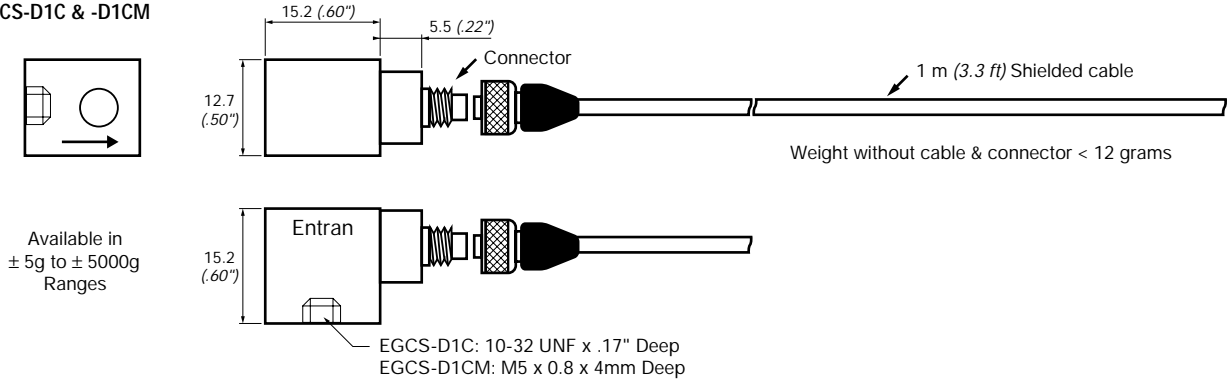
EGCS-A1, -A1M, -B1 & -B1M



EGCS-D1S & -D1SM



EGCS-D1C & -D1CM

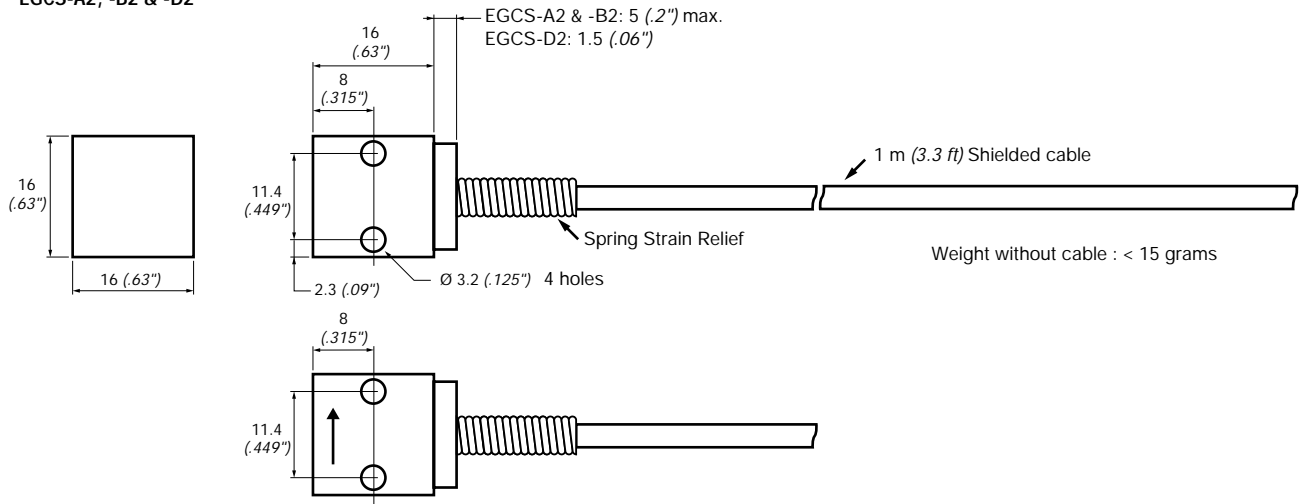


Dim: mm (inches)

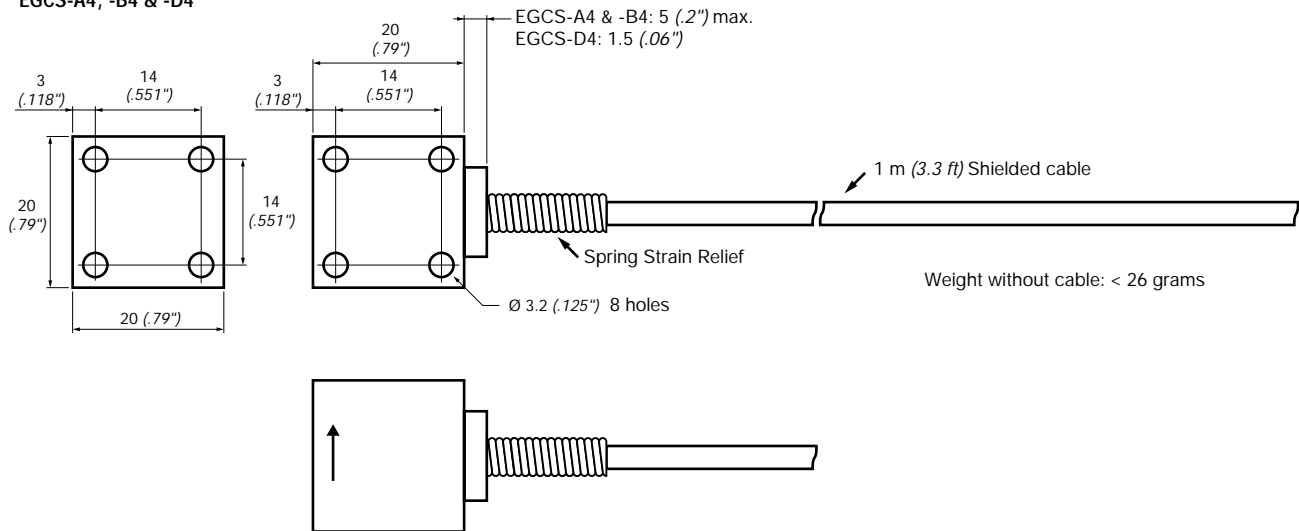
	EGCS ACCELEROMETERS	SPECIFICATION NUMBER	ISSUE	PAGE
		EGCSS001U	PA0	3 of 4

EGCS-A2, EGCS-B2, EGCS-D2, EGCS-A4, EGCS-B4 & EGCS-D4

EGCS-A2, -B2 & -D2



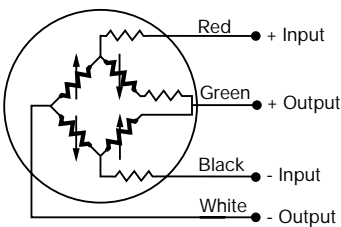
EGCS-A4, -B4 & -D4



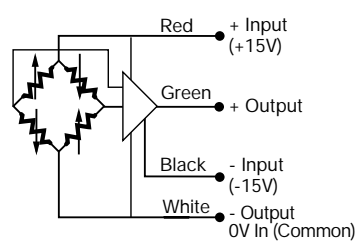
Dim: mm (inches)

Wiring:

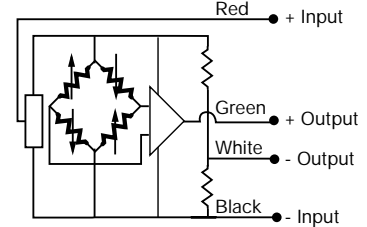
For specification -D



For specification -A



For specification -B



It is recommended that "0V COMMON" of the power supply be grounded if consistent with proper operation of the instrumentation system.

Common mode output voltage of +5V nom. referred to -Input

EGCS ACCELEROMETERS	SPECIFICATION NUMBER	ISSUE	PAGE
	EGCSS001U	PA0	4 of 4