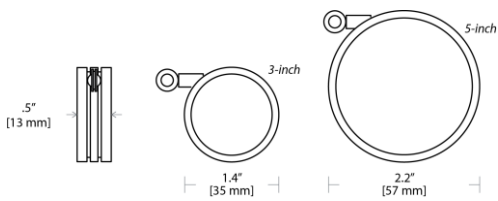




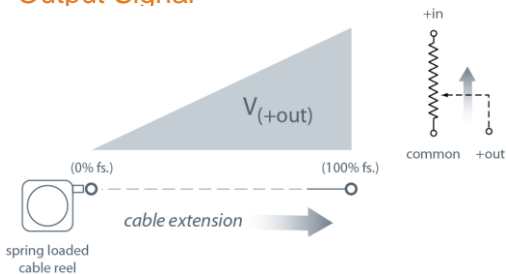
CE



The MTA is part of Celesco's miniature line of cable-extension position transducers that is perfect for short-ranged testing and control applications where space is at a premium.

This transducer uses a high-cycle conductive plastic potentiometer to provide a precision voltage divider feedback signal for measurement ranges of 3 or 5 inches full stroke. With an accuracy of $\pm 0.4\%$ and a repeatability of $\pm 0.02\%$, the MTA conveniently mounts using servo-clips for easy rotational adjustment.

Output Signal



MTA Voltage Divider Output

Compact String Pot • Absolute Linear Position

0-3, 0-5 inch Stroke Range Options

High Cycle Applications

Crash Testing • Flight Testing • OEM

General

Full Stroke Range	0-3 and 0-5 inches, min.
Output Signal	voltage divider (potentiometer)
Accuracy	$\pm 0.4\%$ full stroke
Repeatability	$\pm 0.02\%$ full stroke
Resolution	essentially infinite
Potentiometer Cycle Life	50 million cycles*
Measuring Cable	0.024-in. dia. nylon-coated stainless steel
Measuring Cable Tension	see ordering information
Enclosure Material	anodized aluminum
Sensor	conductive plastic potentiometer
Weight (maximum)	3-inch: 0.10 lbs., 5-inch: 0.26 lbs.

Electrical

Input Resistance	5K ohms ($\pm 10\%$)
Power Rating, Watts	1.0 at 40° C (derated to 0 @ 110°C)
Recommended Maximum Input Voltage	30V (AC or DC)
Temperature coefficient of voltage dividing ratio	< 2 ppm/°C
Temperature coefficient of resistance, -50...+75°C	± 200 ppm/°C
Temperature coefficient of resistance, +75...+100°C	± 300 ppm/°C
Maximum Output Signal	94% $\pm 4\%$ of input voltage

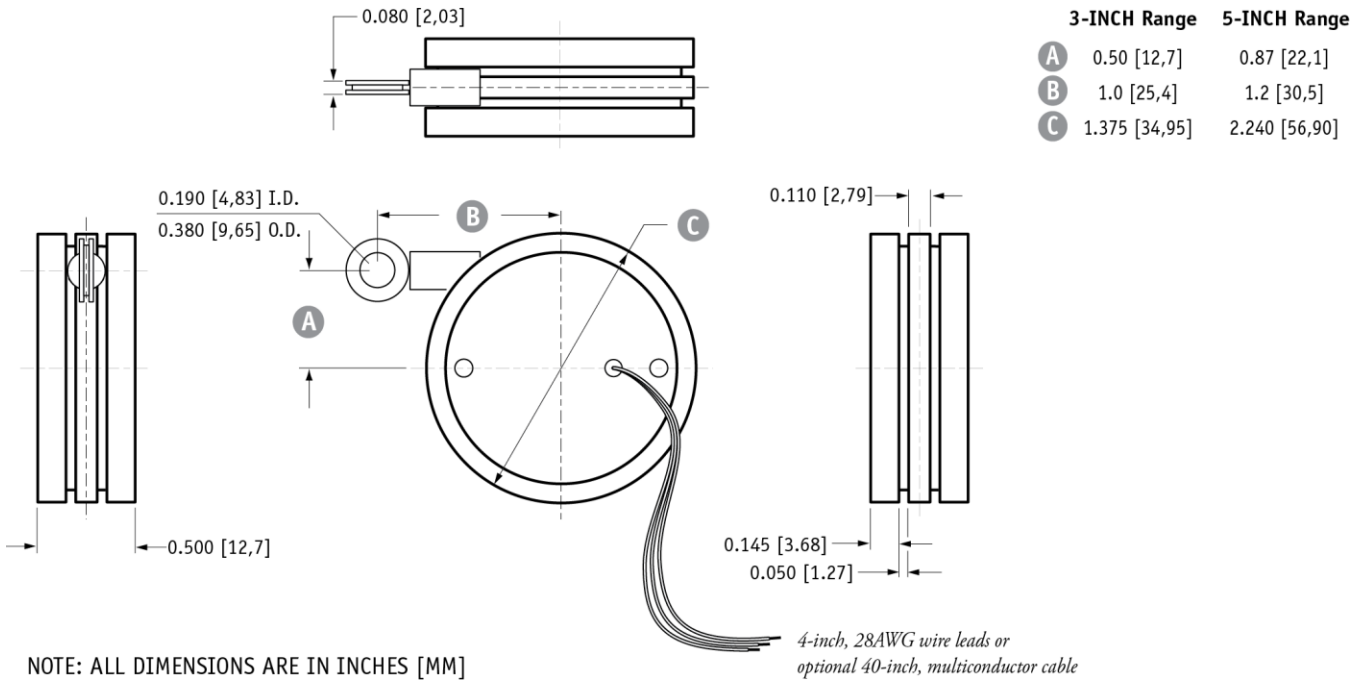
Environmental

Enclosure	NEMA 12, IP55
Operating Temperature	-67° to 212°F (-55° to 100°C)

MTA

Voltage Divider Output

Outline Drawing



Ordering Information

Model Number:

MTA - **R** - **A** - **5K** - **B** - **C**
order code:

Sample Model Number:

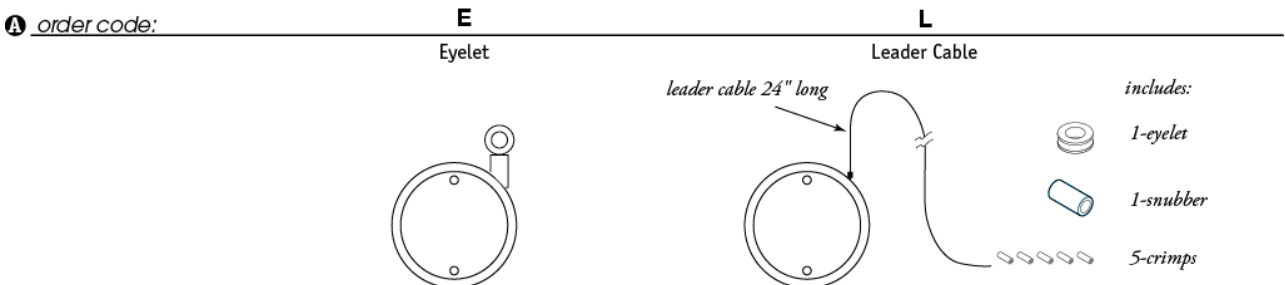
MTA - 3AE - 5KC - MB

- R** range/cable tension: 3 inches/4 oz.
- A** measuring cable termination: eyelet
- B** electrical connection: instrumentation cable, 40-in.
- C** mounting bracket: yes

Full Stroke Range:

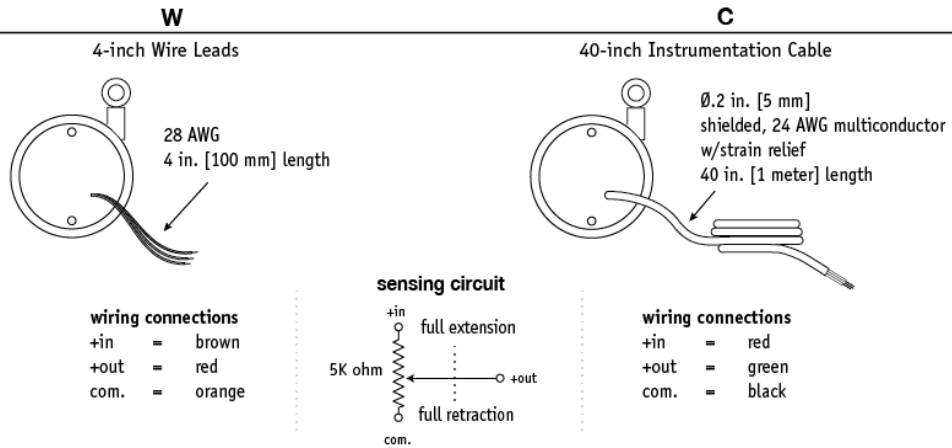
R <i>order code:</i>	3	3A	5	5A
full stroke range, min:	3 inches		5 inches	
std. cable tension ($\pm 25\%$):	2.0 oz.	4.0 oz.	1.2 oz.	2.4 oz.
max. acceleration:	30 G's	60 G's	3 G's	6 G's

Measuring Cable Termination:



Electrical Connection:

ⓑ *order code:*

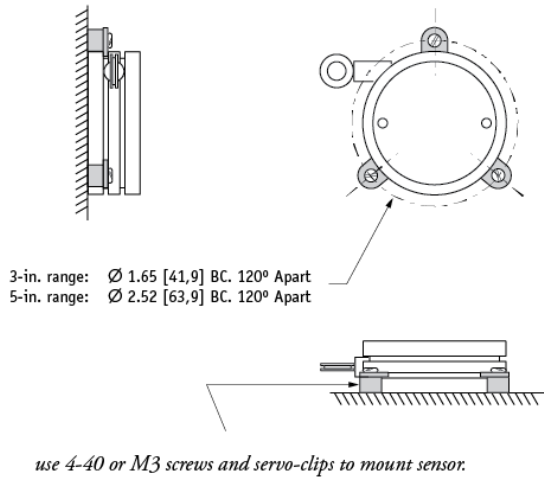


Mounting Options

Ⓒ *order code:*

blank

Servo Clip Mount Option
includes 3) servo-clips and 3) 4-40 screws



MB

Mounting Bracket Option

