

## FEATURES

- High accuracy
- Integrated Amplifier optional
- Cable or connector output

## APPLICATIONS

- Process control equipment
- Medical Instruments
- Weighing
- Laboratory and Research
- Calibration test benches

## FN3148

### Load Cell with mechanical stops

#### SPECIFICATIONS

- Ranges from 10 N to 2 000 N [2.25 lbf to 450 lbf]
- S-Beam sensor in tension and compression
- Combined linearity & hysteresis < 0.05% F.S.

The **FN3148** high precision load cell is protected against accidental overloads in tension and compression.

High-level outputs are available with amplifier A1 or A2 integration.

For lower ranges, another sensor, model **FN3280**, can measure 0-1 N to 0-5 N [0.2 lbf to 1 lbf].

To meet your needs we also offer extensive turnkey systems. The matched components (sensor, power, amplifier and digital display) are formatted, calibrated and ready for immediate use.

On request, Instruction documents can be provided to ease the selection and use of our sensors and provide helpful tips.

**CHARACTERISTICS (typical values at temperature 23°C)**

Ranges (FS) (N)	10	50	100	200	500	1k	2k
Ranges (lbf)	2.248	11.24	22.48	44.96	112.4	224.8	449.6
Overrange Without Damage (Tension)	1kN			2kN	5kN	10kN	
Overrange Without Damage ( Compression)	20kN						
Material (Body)	Aluminium						
Stiffness (N/m)	1.1E+05	3.4E+05	6.4E+05	1.4E+06	3.2E+06	5.8E+06	1.1E+07
Stiffness (lbf/ft)	7.7E+03	2.3E+04	4.4E+04	9.5E+04	2.2E+05	4.0E+05	7.5E+05
Version	Standard			A1		A2	
Power supply	10Vdc			10Vdc to 30Vdc		±12Vdc to ±18Vdc	
Sensitivity (FSO)	±20mV			±2Vdc ±0.2V		±5Vdc ±0.25V	
Offset	<±1 mV			2.5Vdc ±0.2V		0Vdc ±0.25V	
Input Impedance / Consumption	390 ohms			<30mA			
Output Impedance	350 ohms			1 kohms max			
Linearity & hysteresis	< ±0.05% FS						
Operating Temperature Range (OTR)	-20°C to +80°C (-4 to 176°F)						
Compensated Temperature Range (CTR)	0°C to +60°C (32 to 140°F)						
Thermal Zero Shift in CTR	< 0.5% FS/50°C						
Thermal Sensitivity Shift in CTR	< 0.5%/50°C						
Insulation	> 1000 Mohms						
Protection Index	IP50						

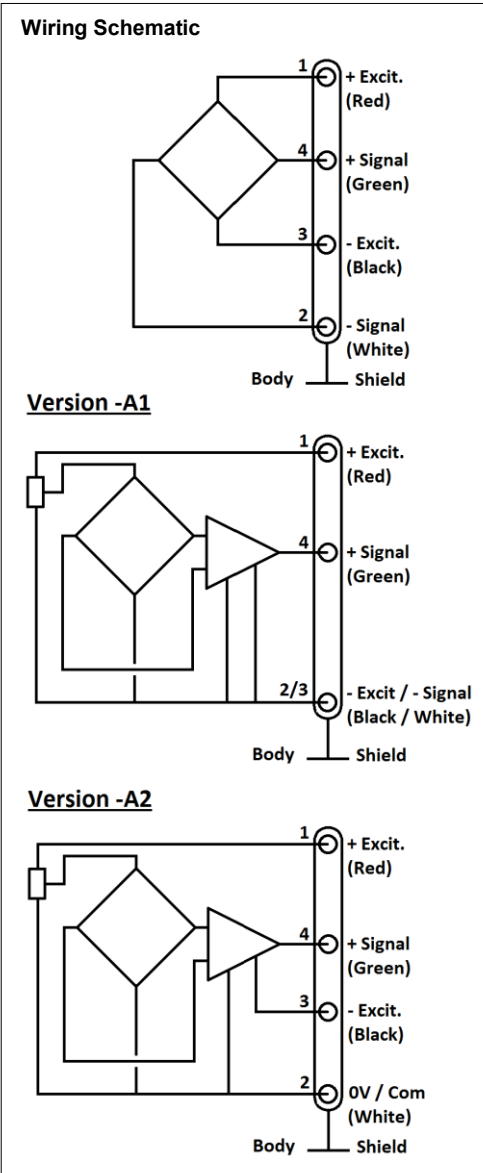
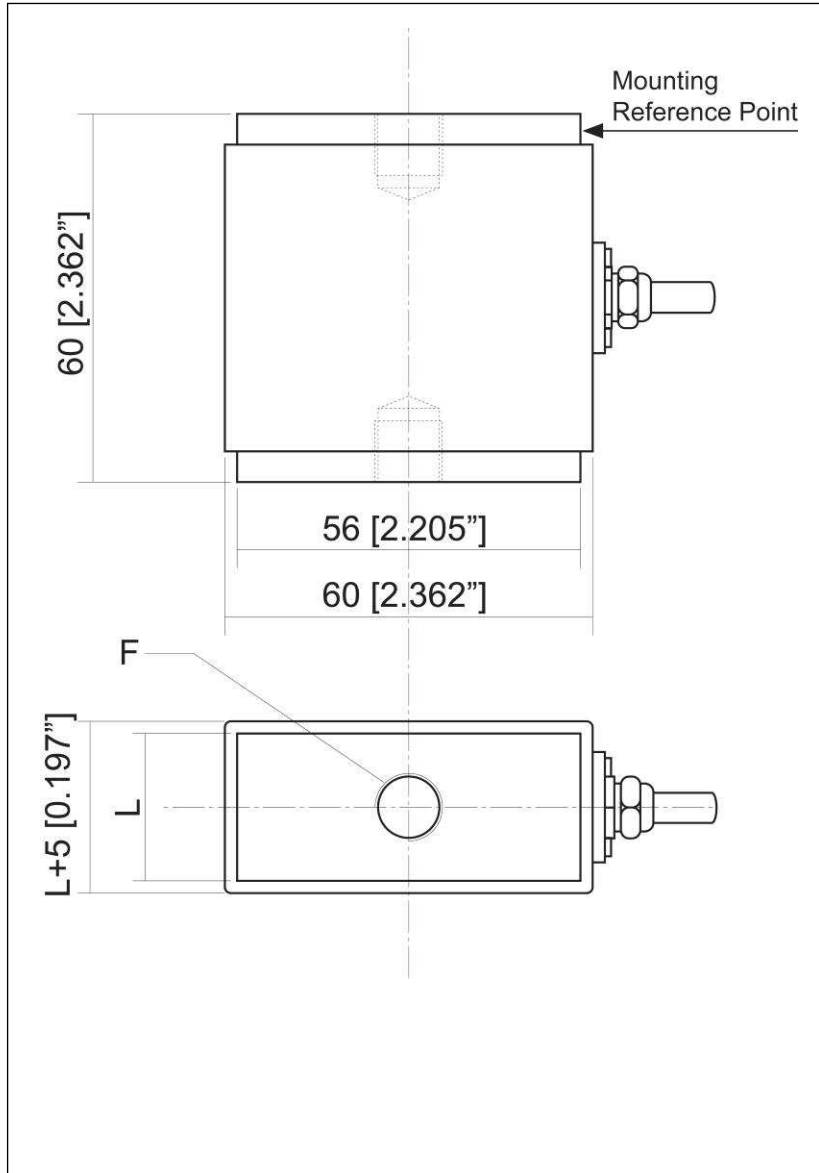
**Notes**

1. Signal goes positive in tension with standard wiring configuration. Other signal output on request
2. Electrical Termination: Cable gland termination, 2m cable length standard
3. Materials: Body in aluminium alloy and cover in stainless steel
4. Output impedance < 100Ω on request
5. CE conformance according to EN 61010-1, EN 50081-1, EN 50082-1

# FN3148

Load Cell with mechanical stops

## DIMENSIONS & WIRING SCHEMATIC (IN METRIC AND IMPERIAL)



Dimensions in mm [inch]

Range in N	10	50	100	200	500	1K	2K
F (Thread)	M6			M10			
L	20 [0.79"]	25 [0.98"]					

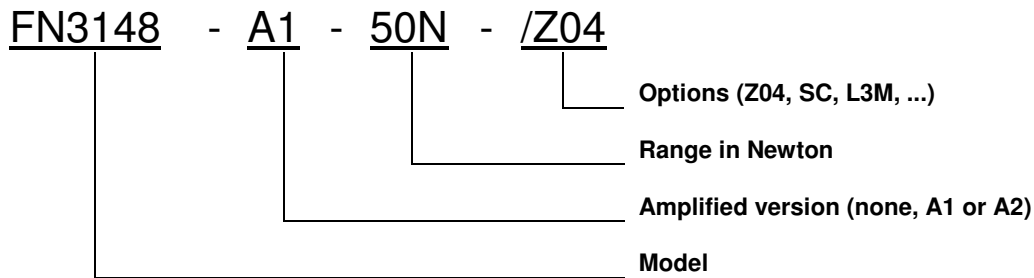
## FN3148

Load Cell with mechanical stops

### OPTIONS

Z04	CTR -40°C to +90°C (-40°F to 194°F) (OTR = CTR)
Z35	CTR +20°C to +120°C (68°F to 248°F) (OTR = CTR)
SC	Electrical output by JAEGER connector (Plug + cable clamp supplied)
L00M	Special cable length, replace "00" with total length in meter

### ORDERING INFO



### SUPPLIED ACCESSOIRES (ONLY WITH SC OPTION)

**EFMX-4M:** mating plug Jaeger 530-801-006 with clamp 530-841-006 for option /SC; /Z04/SC

**EFMX-4H:** mating plug Jaeger 530-804-006 with clamp 530-844-006 for option /SC; /Z35/SC

### RECOMMENDED ACCESSORIES

**OPTERxxx:** Rod Ends

**OPTEHxxx:** Hemispherical Load Button