



KPSI 750

- ◆ Non-Fouling Submersible Level Transducer
- ◆ Integral Protective Cage
- ◆ Non-Clogging 2.75" PTFE Coated Elastomeric Diaphragm
- ◆ $\pm 0.25\%$ FSO Static Accuracy
- ◆ Two year warranty

Features

- ◆ Custom Polyurethane or ETFE Cable Lengths
- ◆ Welded 316SS Body Construction
- ◆ Custom Level Ranges up to 115 ft. (35 m) H₂O
- ◆ Optional Lifetime Lightning Protection
- ◆ Long Life Vent Filter or Aneroid Bellows

Applications

- ◆ Lift station monitoring
- ◆ Wastewater
- ◆ Slurry Tanks
- ◆ Pump control

The KPSI 750 submersible hydrostatic level transducer is specifically designed to meet the rigorous environments encountered in a slurry or highly viscous application. It provides precision depth measurement under most hostile conditions.

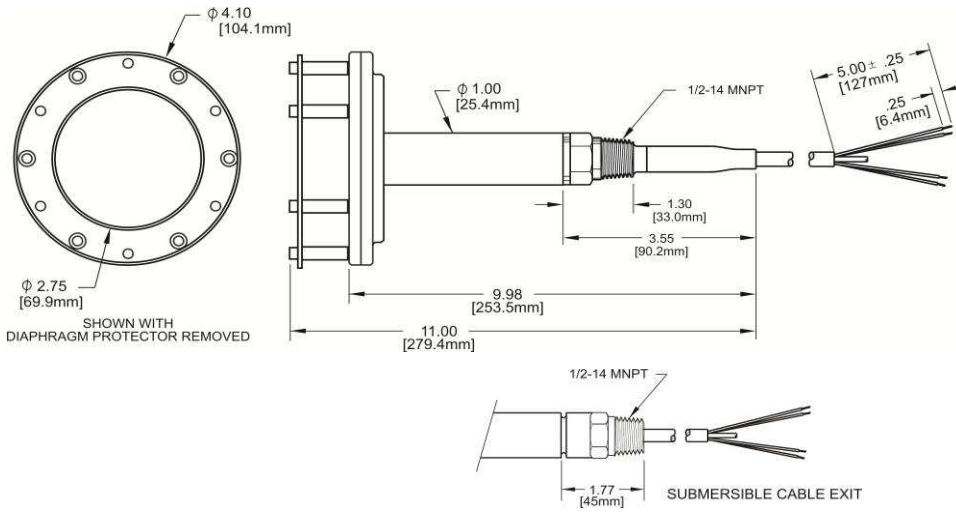
Every KPSI Transducer utilizes a highly accurate pressure sensor assembly specifically designed for hostile fluids and gases. The assembly is integrated with supporting electronics in a durable waterproof housing constructed of 316 stainless steel. The attached electrical cable is custom manufactured and includes para-aramid synthetic fiber members to prevent errors due to cable elongation, and a unique water block feature that self-seals in the event of accidental cuts to the cable. Each transducer is shipped with our SuperDry Vent Filter that prevents moisture from entering the vent tube for at least one year without maintenance, even in the most humid environments.

Specifications

PARAMETER	COMMENT	
LEVEL RANGES		
Full Scale Level Ranges <small>(intermediate level ranges are available)</small>	10 thru 115 ft. H ₂ O (3 thru 35 m H ₂ O)	Vented Gage Reference
Proof Pressure	1.5 x FS	
Burst Pressure	2.0 x FS	
STATIC PERFORMANCE		
Static Accuracy <small>(combined effects of non-linearity, hysteresis and repeatability, best fit straight line method)</small>	$\pm 0.25\%$ FSO	BFSL method
Resolution	+0.0001% FS	
ENVIRONMENTAL		
Wetted Materials	316 SS; PTFE; FKM Polyurethane or ETFE	
Compensated Temp Range	0 to 50°C	

Thermal Error (maximum allowable deviation from the Best Fit Straight Line due to a change in temperature)	±0.10% FSO/°C	Worst case for level ranges > 23' (7m) H ₂ O Prorated for level ranges ≤23' (7m) H ₂ O
Operating Temp Range	-20 to 60 °C	When attached to polyurethane cable
Protection Rating	IP 68, NEMA 6P	
ELECTRICAL		
Excitation	9-28V – VDC output 9-28V – mA output 15-28V – VDC output 10-28V – VDC output	0-5V, 0-2.5V, 0-4V 4-20 0-10V 1.5-7.5V
Input Current	20 mA max 3.5 mA max	For mA output For VDC output
Output	4-20mA, 0-5 VDC, 0-2.5VDC, 0-4VDC, 0-10VDC, 1.5-7.5VDC	For ranges < 5 ft. (1.5m) H ₂ O, only 4-20mA output is available
Zero Offset	±0.25 mA for mA output < 0.25 VDC for VDC output	
Output Impedance	See loop diagram for mA output 20 ohm for VDC output	
Insulation Resistance	100 mega ohm at 50 VDC	
Circuit Protection	Polarity, surge/shorted output	
CERTIFICATIONS		
	CE compliant	EN 61326-1:2013 and 61326-2-3:2013
	UL, CUL and FM	Class I, II, III, Div. 1, Groups A,B,C,D,E,F&G
	WEEE/RoHS	Waste from Electrical and Electronic Equipment (WEEE) and Restrictions on the use of Hazardous Substances (RoHS)
PHYSICAL		
Approximate Weight	3.5 lbs. (1588 g) transducer 0.05 lbs./ft. (79 g/m) cable	
Cable Jacket Material	Polyurethane (standard) ETFE (optional)	
Cable Pull Strength	200 lbs. (90 kg)	Polyurethane
Cable Number of Conductors	4 MAX	
Cable Conductor Size	22 AWG	
Cable Seal	Molded Polyurethane FKM Gland	For polyurethane cable For ETFE cable
TEMPERATURE OUTPUT OPTION (not intrinsically safety approved)		
Temperature Range	-20 to 60°C	Available for 4-20mA output versions only
Output Signal	4-20mA	
Temperature Measurement Accuracy	±4°C	± 1°C with single point calibration
LIGHTNING PROTECTION (power supply needs to be limited to 150mA to avoid lock up of the gas tube after a suppression event)		
Life Expectancy	>1,000 Operations	
Peak Clamping Voltage	36 Volts	
Response Time	<10 nsecs	
Shunts	20,000 Amperes	

Dimensions



Molded Cable Seal Configuration for Polyurethane Cable

Electrical Termination / Loop Resistance

ELECTRICAL TERMINATION		
22AWG CONDUCTORS IN A SHIELDED CABLE WITH VENT TUBE		
4-20 mA	RED	+ EXCITATION
	BLACK	- EXCITATION
0-5 VDC	RED	+ EXCITATION
	BLACK	- EXCITATION
	WHITE	+ SIGNAL
ALL	DRAIN WIRE	SHIELD

