

D Series Intelligent Sensor Meter Instruction Manual

Thanks for selecting **MYPIIN** products!
Before operating this instrument, please carefully read this manual and fully understand its contents. If any problems, please contact our sales or distributors whom you buy from. This manual is subject to change without prior notice.

Warning

Please do not turn on the power until all of the wiring is completed.
Do not wire when the power is on.
Do not turn on the power when cleaning this instrument.
Do not disassemble, repair or modify the instrument.
Use this instrument in the scope of its specifications.
The use life of the output relay is quite different according to its capacity and conditions. If use out of its scope, fire or malfunction may result.

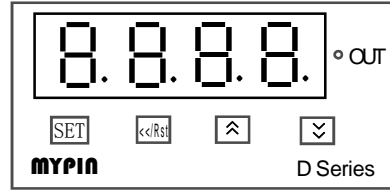
Caution

This instrument should be installed in a domestic environment.
The operating temperature environment should be between 0 (32F) to 50 (122F).
To avoid using this instrument in environment full of dust \ caustic gas \ shock \ concussion \ overflow water or explosive oil.

Applications

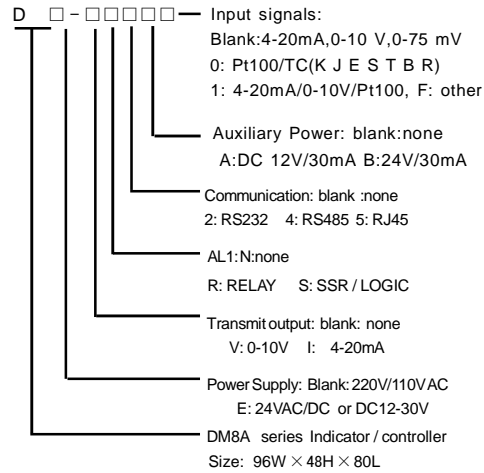
- 1 input: 4-20mA/0-10V/0-75mV/0-400 Ω, Pt100 K J E S R B T thermocouple
- 2 AUX.power: 24V/12V for 2-wire transmitter
- 3 transmit output: DC 4-20mA / 0-10V etc.
- 4 Multi-function alarm output: Relay, SSR, SCR etc.
- 5 RS485 RS232 LAN RJ45 Modbus-RTU protocol
- 6 Input, Output and Power supply isolation with each other.

Panel



- ① Measured value (PV) / parameter symbols
- ② OUT/Alarm lamps
On: Output / active Off: No inactive
- ⑥ SET: Select / Confirm key
- ⑦ <</Rst : Shift / Clear key
- ⑧ Up Key Down key

Ordering code



E.g DM8A-NB Input: 4-20mA/0-10V/0-75mV, output: none, AUX.power: 24V/30mA, Power supply: 230/115VAC, Size: 96*48*80mm
DK8A-INFVDV600
Input: DC 0-600V, output: DC 4-20mA
Power supply: 220/110VAC,
DM8AE-N4B Input: 4-20mA/0-10V/0-75mV
communication: RS485, AUX.power: 24V/30mA,
power supply: 24V DC

Input Signals selection

Input signal	Range	Input impedance	Factory setting
mA	0-1mA, 0-10mA, 4-20mA	≤ 150 Ω	4-20mA
V(AV/DV)	0-5V, 0-10V, 0-500V	≤ 200K Ω	DC 0-10V
mV	0-10mV, ±100mV	≤ 2M Ω	0-75mV
Rt	0-400 Ω 0-10K	≤ 0.2mA	order
	Cu50 Cu100-50-150°C		
Pt	-200-650°C	≤ 0.2mA	Pt100
Tc(R S J E K T B)	R/B: 0-1800°C	≤ 2M Ω	ALLJ
	S: 0-1700°C		
	E/J: 0-1200°C		
	T: -150-400°C		
K: 0-1200°C			

Dimensions and Mounting

Dimension:
Width 96xheight 48x length 80mm
Mounting: W 92 x H 45mm

Specifications

Power supply	220/110 AC or 18-30V AC/DC
Consumption	≤ 5VA
Accuracy	0.3%F.S* ² R2digit
Sampling rate	≤ 8 times/second
Alarm	Relay, AC 250V/3A or DC 30V/3A resistive load
Input	refer the input signal selection
Analog	0-10V or 4-20mA
Aux. Power	DC 12/24V/30mA
Communication	RS232 or RS485 Modbus RTU

Parameter setting

1. A In the displaying estate, Keep holding 'SET' key until display 'AL1' to enter setting menu.
B Press <</RST key, Shift / LED flashes,
C press UP / Down key to modify data
D press SET key to confirm.
E Press SET key to read or change the following parameters one by one.
- Automatic change of numerical decimal point, 0.000-00.00-000.0-0000 automatic change
2. PV LED display=Input %X (USP-LSP) + LSP-PVF.
USP : high limit, LSP : low limit. PVF : offset value
3. Zero point clear: (Option PVF Not offset Function)
In the displaying estate, press and hold <</RST key until PV LED display 0.
4. The instrument will return to the measuring estate without any operation for 25 seconds.

Operation process

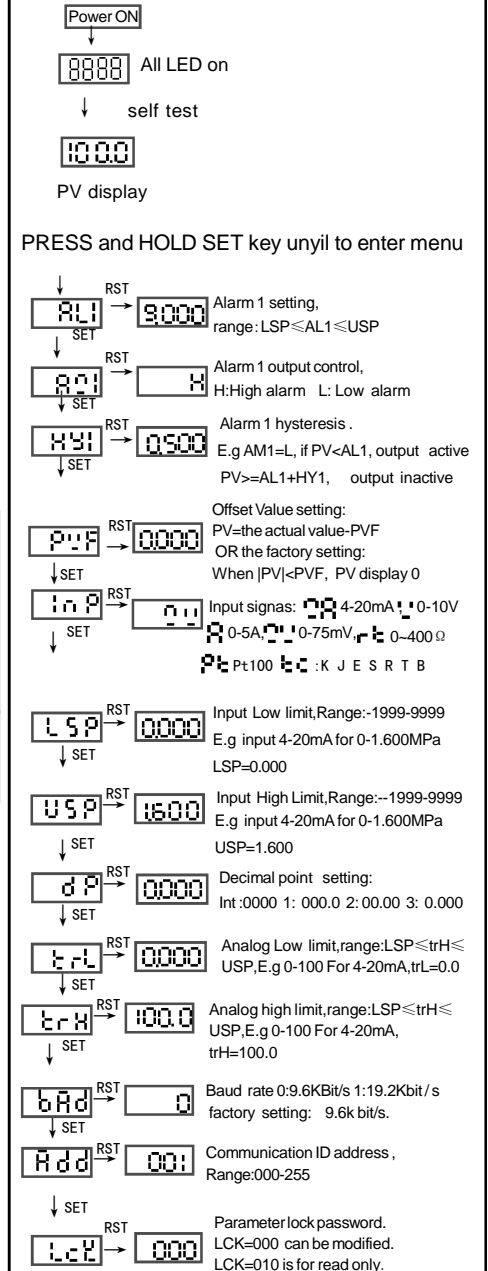
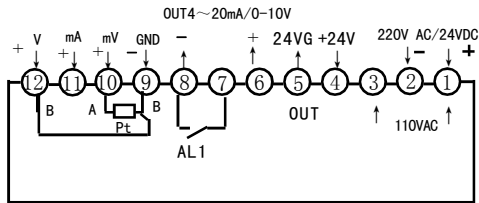


Diagram connections

★ If any changed, please refer the label show on the label.

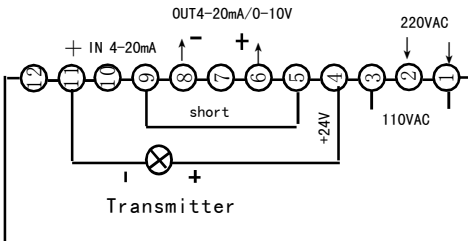


Application examples

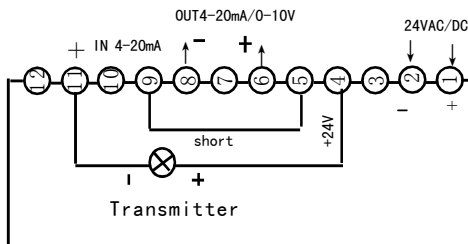
1, Used with 2 wire transmitter.

The instrument can supply DC 24V auxiliary power, input: Inp= mA.

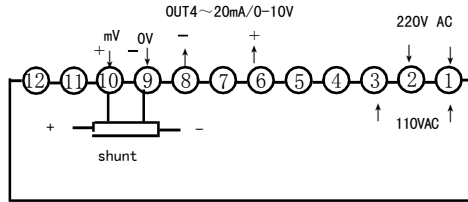
DM8A-1NB/DM8A-VNB



DM8E-1NB/DM8E-VNB



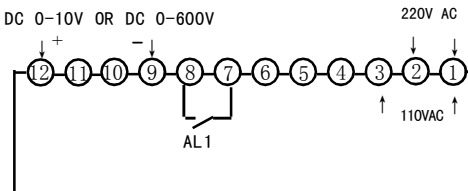
2, Used with shunt 0-75mV



DM8A-1N/DM8A-VN/
DK8A-1NDA200A/75mV
DK8A-VN200A/75mV

3, Used with Voltage

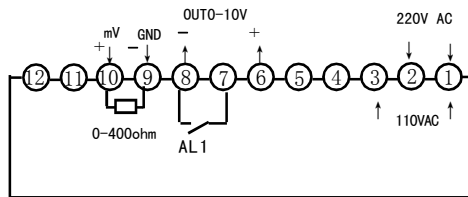
DC 0-10V OR DC 0-600V



DM8A-R/DK8A-RFDC600V

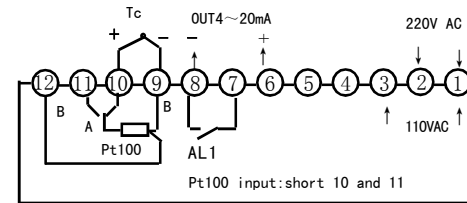
4, Used with Ohm meter. Input 0-400 OHM.

Inp = rt .



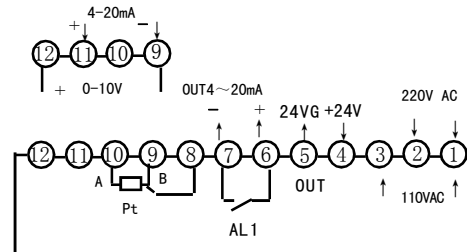
DM8A-VNF/DM8A-RF

5, Used with TC/RTD



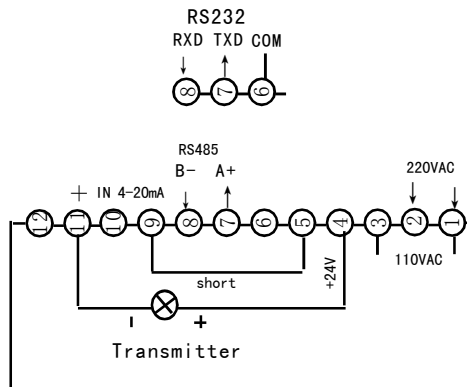
DM8A-1N0/DM8A-R0

6 Used with Pt100/4-20mA/0-10V



DM8A-1NB1/DM8A-RB1

6 Used with RS232 / RS485



DM8A-N4B/DM8A-N2B

Malfunction estimate

① No display : Check all the connection and wiring if it is correct. Specially pay attention to the power supply terminals.

② Wrong display : Check it the PVF=0.00

Check if the input signal

For RTD input, please use low impedance cable.

The 3 wires should at the same length.

③ UUUU, : When displaying "UUUU", it means the

input signal exceeds USP value(chnging

USP value) OR TC Input open,

E.g input Inp=K , LSP=0.0, USP=100.0, PV LED

displays uuuu, then change USP=1200, The meter

will displays normal vaule

Factory Products Contains

- ★ 1 Copy of user manual
- ★ 1 Inspection certificate
- ★ 2 installing brackets.

We are responsible for the overal repairment for the failure of manufacturing quality within 12 months since the date of purchase. Repair fee will be charged accordingly for damage caused by improper use..

Modbus protocol or other information

PLS Download from : www.mypinchina.com

IP/wechat: 86-18689341985

Email: sale@mypinchina.com

Main Products

- weight indicator /controller
- Counter & length meter
- Temperature controller
- Time relay
- Ampere & Voltage meter
- Power meter
- Frequency / Tacho / Line-speed meter
- Universal Sensor indicator
- Transmitter
- Proximity sensor Photo-electrical sensor