

MYPIN

DP5 sereis Precision Sensor Meter
Instruction Manual

Thanks a lot for selecting **MYPIN** product!

Before operating this instrument, please carefully read this manual and fully understand its contents. If any problems, please contact our sales or distributors whom you buy from. This manual is subject to change without prior notice.

Warning

Do not turn on the power supply until all of the wiring is completed. Otherwise electrical shock, fire or malfunction may result.

Do not turn on the power supply when cleaning this instrument.

Do not disassemble, repair or modify the instrument. This may cause electrical shock, fire or malfunction.

Use this instrument in the scope of its specifications. Otherwise fire or malfunction may result.

Caution

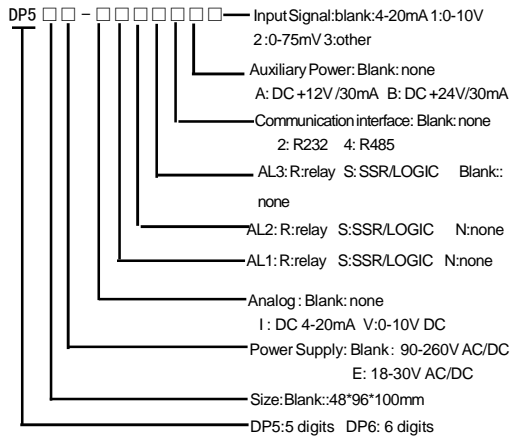
This instrument should be installed in a domestic environment.

To avoid using this instrument in environment of strong shock or concussion.

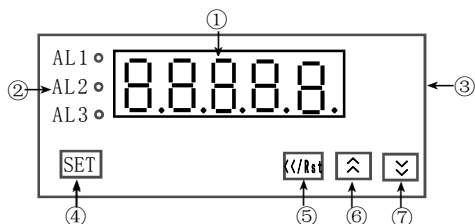
To avoid using this instrument in environment of overflow water or explosive oil.

Do not put together with large current wire to avoid electromagnetic radiation. If it is a must, we suggest a individual pipe to work with.

Code Illustration



Panel



- ① Measuring value/Parameter code display
- ② Alarm 1 /2/3 lamps, on:active off: inactive
- ④ Parameters Select / Confirm key
- ⑤ Shift key
- ⑥⑦ up or down key

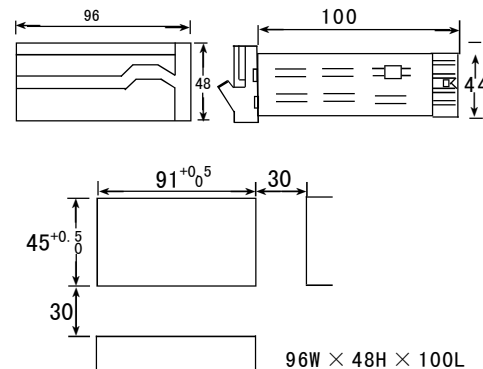
Specifications

Power	80-260V AC/DC or 18-30V DC
Measuring range	-19999-99999 Demical point floating
Accuracy	0.1%F.S±2digit
Contact capacity	Relay:AC 250V/3A or 30V/5A DC
Electromagnetic Strength	Between terminals of power and others,between terminals of output relay and others,DC 2000V Leak current 0.5mA,60s;I/O low voltage signal terminals: DC 600V Leak current 0.5mA,60s
Insulation resistance	≥ 100M Ω /500V DC
Ambient environment	Temperature:0-50 °C Humidity:≤85%RH
Sampling speed	4-16 times/sec
Dimensions	48*96*100mm

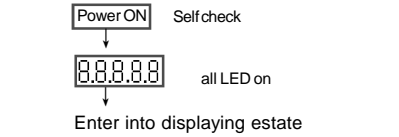
Parameters setting

- 1.Parameter setting: In displaying estate,press and hold SET key >3seconds, enter/quit parameters setting menu. Short press SET key to enter next one,press <<RST shortly to modify the parameter.
- 2.Press UP/DOWN key to modify the setting value,short press is point-point modification,long press is continuous modification.Short press<<RST key to remove the demical point.After modification,press SET key to confirm and enter to next menu.Press SET for at least 3 seconds can quit setting menu The process will quit the menu automatically when no operation for a long period of time.
- 3.In displaying estate,press RST key for at least 4 seconds to clear signals automatically.It will display 0 at this input signal

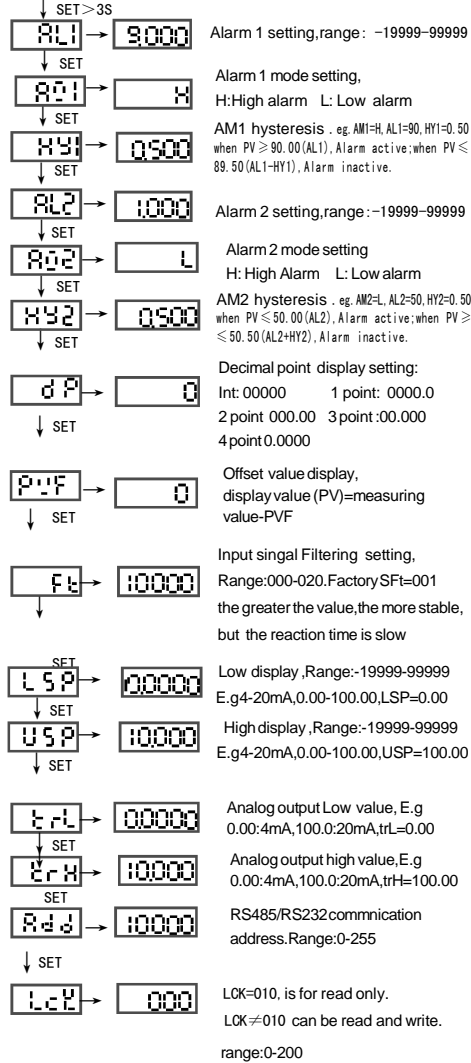
Dimensions



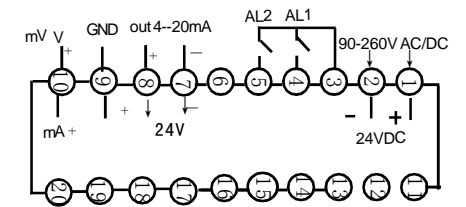
Operation process



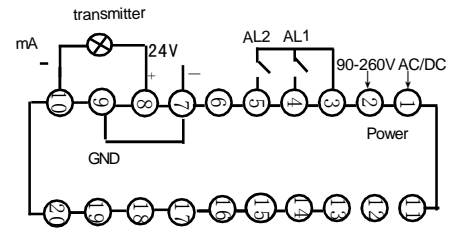
Parameter setting (press SET for 3 seconds to enter or quit)



Connections (If any changed, refer the label on the meter).



DP5 Diagram



DP5 two-wiring transmitter Diagram

Complete products contains

- ★ 1 copy of user manual,
- ★ 1 inspection QC label,
- ★ 2 installing brackets.

We are responsible for the overall repairment for the failure of manufacturing quality within 12 months since the date of purchase. Repair fee will be charged accordingly for damage caused by improper use. The product has life-long warranty.

Main Products

- Timer
- Time relay
- Temperature controller
- Panel meter
- Frequency/Tacho/Line-speed meter
- Proximity sensor
- Photo-electrical sensor
- Transmitter
- Sensor meter
- Power adjustor