

DH series RMS Ampere & Voltage Meter Instruction Manual

Thanks a lot for selecting **MYPIN** products!
Before operating this instrument, please carefully read this manual and fully understand its contents. If have any problems, please contact our sales or distributors whom you buy from. This manual is subject to change without prior notice.

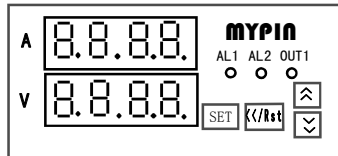
Warning

Please do not turn on the power supply until all of the wiring is completed. Otherwise electrical shock, fire or malfunction may result.
Do not wire when the power is on.
Do not turn on the power supply when cleaning this instrument.
Use this instrument in the scope of its specifications.

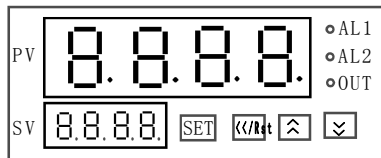
Application

- *Input: AC 0-600V or AC 0-5A etc. E.g AC 0-100mV AC 0-1A
- * Ampere and Voltage ratio can be set free
- *RMS Measure, High accuracy <0.1%F.S
- *Output: 4-20mA /0-10V , Relay or SSR or Digital output
- * Data/Peak value holding function for choice.
- * communication interface: RS485 RS232(MODBUS-RTU) RJ45 .
- * Other function can be ordered

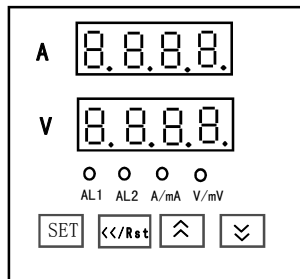
Panel Illustration



DH8 Series

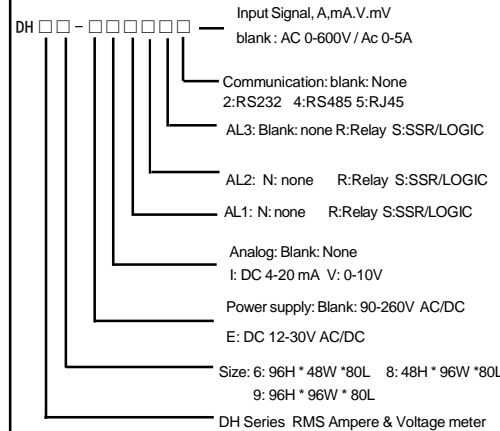


DH9 Series



- ① PV window: Display Voltage value/ setting parameters
- ② SV window: Display Ampere value / parameter value
- ③ AL1 / AL2 / OUT alarm LED, ON active oFF: Inactive A / mA V / mV UNIT LED
- ④ SET parameter select & confirm key
- ⑤ ^ Up key v Down key
- ⑥ </Rst shift key

Model



E.g Model : DH8-IRRAV600 /AA5
input: AC 0-600V and AC 0-5A
output: 4-20mA and 2-Relay High or Low Alarm
Size: 48H*96W*80Lmm power supply: 90-260V AC/DC

Specifications

power	90-260V AC/DC or 12-30V AC/DC
Consumption	≤5VA
Accuracy	0.2%F.S ± 2digit
Sampling rate	≤ 4 times /s
Alarm	Relay: NO AC 250V/3A or DC 30V/3A cos φ=1
Input	DC/AC current and voltage
Analogue	0-10V or 4-20mA selectable by software
Communication	RS232/RS485/RJ45 MODBUS TRU protocol

Dimensions

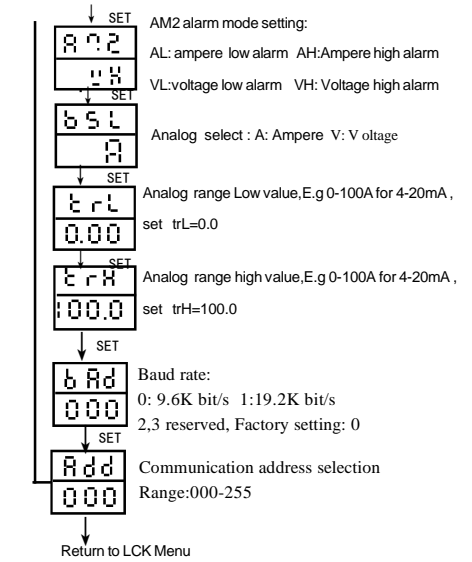
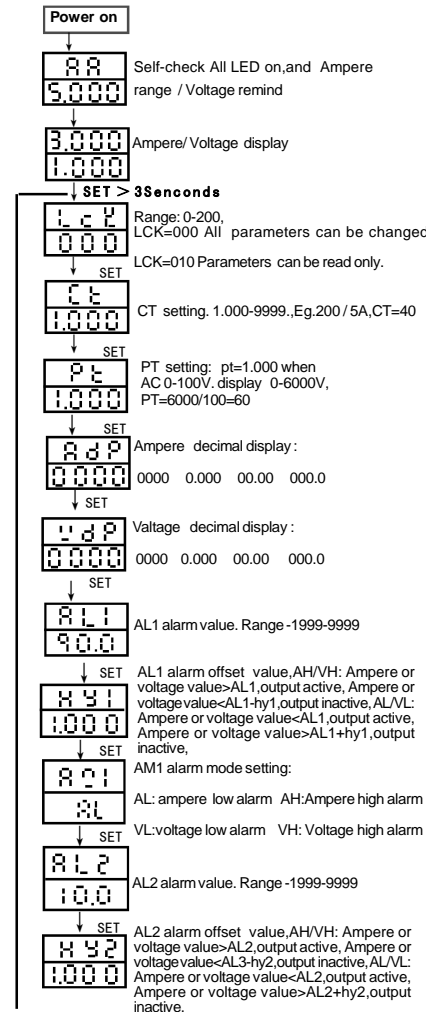
- DH4: 45+0.5 X 45+0.5mm
- DH8: 91+0.5X 45+0.5mm
- DH6: 45+0.5X 91+0.5mm
- DH9: 91+0.5X91.5mm

Mounting dimensons: DH4: 45+0.5 X 45+0.5mm
DH8: 91+0.5X 45+0.5mm
DH6: 45+0.5X 91+0.5mm
DH9: 91+0.5X91.5mm

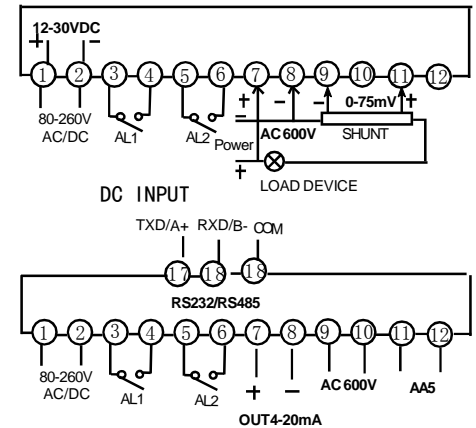
Parameter setting

- 1.A press and hold SET key for more than 3 seconds until display AL1 to enter parameter setting menu.
 - B Press <</Rst key, LED flashes, press v / ^ key to modify and then press SET key to confirm.
 - C Press SET key to read the following parameters one by one.
 - D press and hold SET key for more than 3 seconds to quit setting
- 2.The meter will return to the measuring estate without any operation for more than 25 seconds.
- 3.When SV windows is for displaying C/T rate or alarm value, press <</Rst key can shift and modify the value.

Operation process



Terminal Connections



★ If any change. Please refer to the product showing.

- Modbus protocol will be explained with the product.
- ★ more informations: Download from Website: www.mypinchina.com

Complete products contains

- ★1 copy of user manual,
- ★1 inspection QC label,
- ★2 installing brackets.

We are responsible for the overall repairment for the failure of manufacturing quality within 12 months since the date of purchase. Repair fee will be charged accordingly for damage caused by improper use..