

UL75 RECESSED INGROUND UP LIGHTS



PRODUCT DESCRIPTIONS

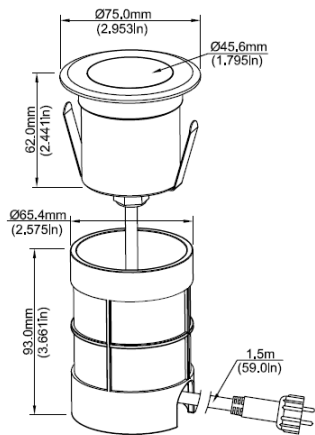
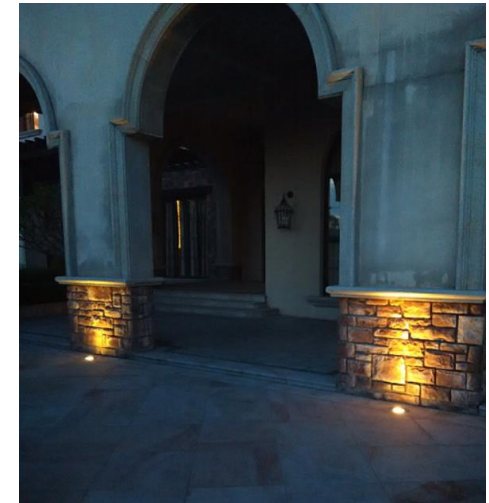
This UL75 In-ground uplight is made of stainless steel and fitted with a 8 watt CREE COB LED which provides up to 690 lumen. It is designed to create an accent lighting for small to medium trees and other uplighting applications where low to moderate light output is needed.

Come with honeycomb for anti-glare application.

Completely waterproof, can also be used for underwater lighting.

FEATURES

- Stainless Steel
- No visible screws
- Low voltage 12V or 24V operate
- Integrated high power LED
- Full colors / CCTs available
- Quick-Safety-Connect
- Waterproof IP68
- Maintenance free
- Ambient Temp.: -20 ~ +45°C
- RoHs and REACH compliant
- Average Life: 50.000Hrs
- Warranty: 3 Years



Model #	Finishing	LED	Color	Beam	Input	Power	Luminous	Cable
GL-UL75-8W	Stainless Steel	CREE	WW, NW, CW	15 / 30 / 45 / 60°	12VAC or 12-24VDC	8W	690LM	1.5M 2x0.75mm ²

*WW=3000K, NW=4000K, CW=6500K

*Power could be customized

*Other colors / CCTs available on request.

*DMX Version available on request.

