

UL75 RECESSED INGROUND UP LIGHTS



PRODUCT DESCRIPTIONS

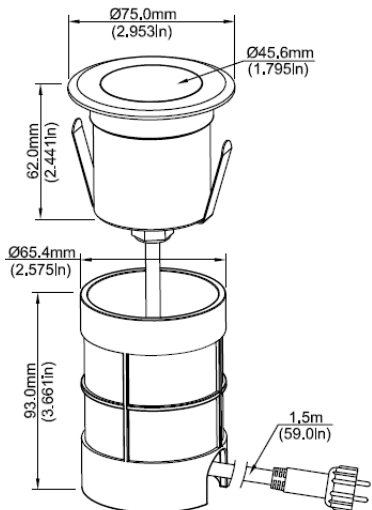
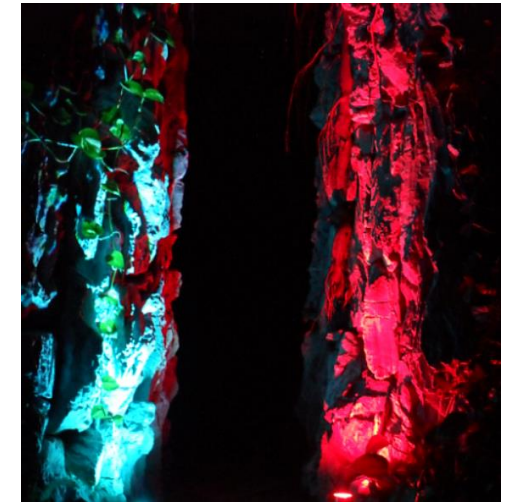
This UL75 In-ground uplight is made of stainless steel and fitted with 3x2 watt CREE high power LEDs which provides up to 400 lumen.

It is designed to create an accent lighting for small to medium trees and other uplighting applications where color light output is needed.

Completely waterproof, can also be used for underwater lighting.

FEATURES

- Stainless Steel
- No visible screws
- Low voltage 12V or 24V operate
- 16 Static Colors
- 4 Dynamic Color Changing Modes
- 4 levels of Brightness
- Quick-Safety-Connect
- Waterproof IP68
- Maintenance free
- Ambient Temp.: -20 ~ +45°C
- RoHs and REACH compliant
- Average Life: 50.000Hrs
- Warranty: 3 Years

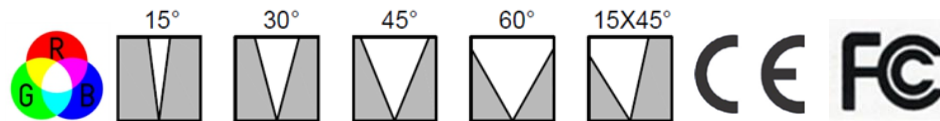


Model #	Finishing	LED	Color	Beam	Input	Power	Luminous	Cable
GL-UL75-RGB6W	Stainless Steel	CREE	RGB	15 / 30 / 45 / 60° Asymmetric 15x45°	12VAC or 12-24VDC	6W	400LM	1.5M 2x0.75mm ²

*Remote Controller (GL-MCL) required.

*Power could be customized

*DMX Version available on request.



GL-MCL