

# UL90 RECESSED INGROUND UP LIGHTS

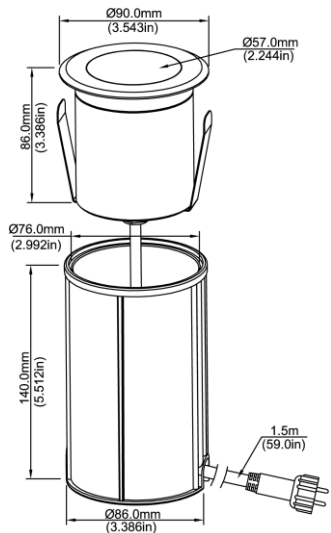


### PRODUCT DESCRIPTIONS

This UL90 In-ground uplight is made of stainless steel and fitted with 4x3 watt CREE high power LEDs which provides up to 1200 lumen. It is designed to create an accent lighting for medium to larger trees and other uplighting applications where moderate to high light output is needed. Completely waterproof, can also be used for underwater lighting.

### FEATURES

- Aluminum & Stainless Steel
- No visible screws
- Low voltage 12V or 24V operate
- Integrated high power LED
- Full colors / CCTs available
- Quick-Safety-Connect
- Waterproof IP68
- Maintenance free
- Ambient Temp.: -20 ~ +45°C
- RoHs and REACH compliant
- Average Life: 50,000Hrs
- Warranty: 3 Years



Model #	Finishing	LED	Color	Beam	Input	Power	Luminous	Cable
GL-UL90-12W	Stainless Steel	CREE	WW, NW, CW	15 / 30 / 45 / 60° Asymmetric 15x45°	12VAC or 12-24VDC	12W	1200LM	1.5M 2x0.75mm <sup>2</sup>

\*WW=3000K, NW=4000K, CW=6500K  
 \*Power could be customized  
 \*Other colors / CCTs available on request.  
 \*DMX Version available on request.

