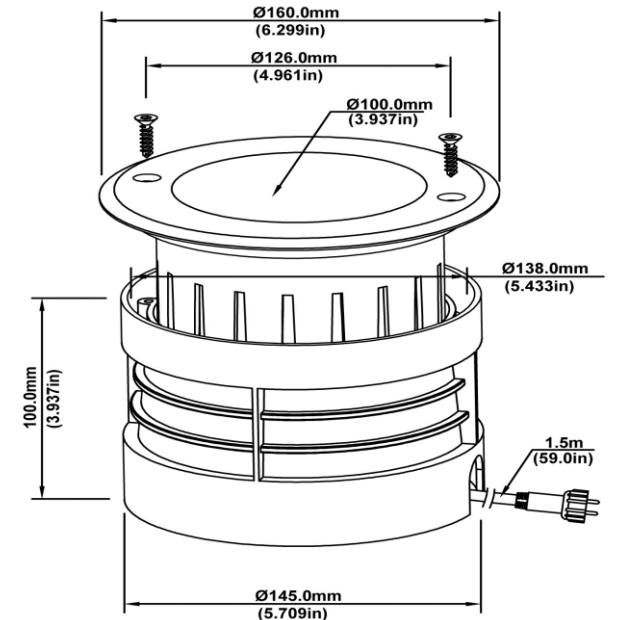


G160 9~18W GROUND LIGHT



FEATURES

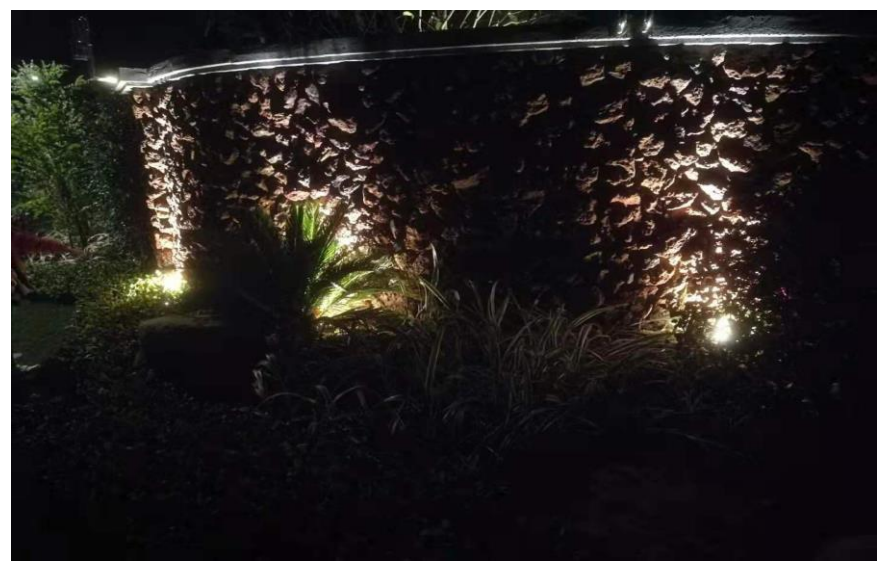
- Die Cast Aluminum + Stainless Steel
- Toughened Glass
- Low Voltage Operating
- Intergrated High Power LED
- Full Colors / CCTs available
- Waterproof IP68
- Quick-Safety-Connect
- Maintenance Free
- Ambient Temperature.: -30~+45°C
- RoHs and REACH Compliant
- Average Life: 50.000 Hrs.
- Warranty: 3~5 Years
- Typical Application: Landscape



Standard Order Codes

Part #	LED	Color	Beam	Volts	Power	Lumen	Cable
GL-G160-xx9W	CREE	WW, NW, CW, RGB	15/30/45/60 15x45°	12V AC or 12-24V DC	9W	900LM (100lm/W)	1.5M 2x0.75m²
GL-G160-xx18W	CREE	WW, NW, CW, RGB	15/30/45/60 15x45°	12V AC or 12-24V DC	18W	1800LM (100lm/W)	1.5M 2x0.75m²

* xx can be WW=3000K, NW=4000K, CW=6500K and RGB
 * RGB color changing versions require Remote Controller (Part #: GL-MCL)
 * Power could be customized
 * Other colors/CCTs available on request
 * DMX512 controlled RGB Versions available on request

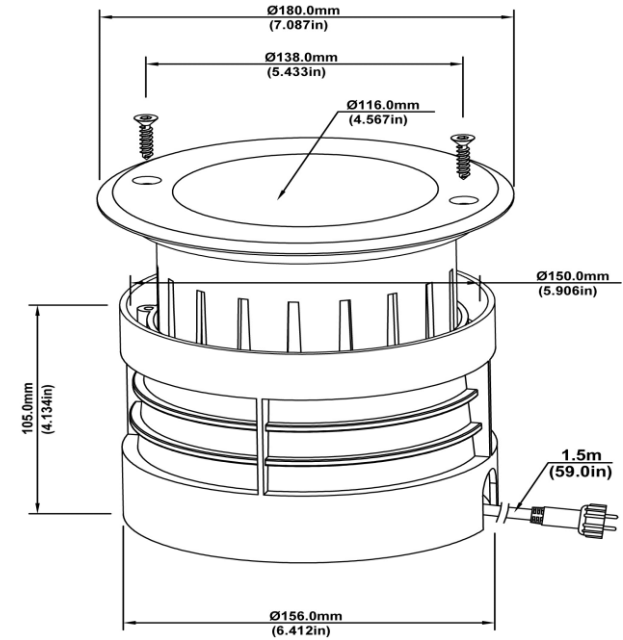


G180 12~24W GROUND LIGHT



FEATURES

- Die Cast Aluminum + Stainless Steel
- Toughened Glass
- Low Voltage Operating
- Intergrated High Power LED
- Full Colors / CCTs available
- Waterproof IP68
- Quick-Safety-Connect
- Maintenance Free
- Ambient Temperature.: -30~+45°C
- RoHs and REACH Compliant
- Average Life: 50.000 Hrs.
- Warranty: 3~5 Years
- Typical Application: Landscape



Standard Order Codes

Part #	LED	Color	Beam	Volts	Power	Lumen	Cable
GL-G180-xx12W	CREE	WW, NW, CW, RGB	15/30/45/60 15x45°	12V AC or 12-24V DC	12W	1200LM (100lm/W)	1.5M 2x0.75m ²
GL-G180-xx24W	CREE	WW, NW, CW, RGB	15/30/45/60 15x45°	12V AC or 12-24V DC	24W	2400LM (100lm/W)	1.5M 2x0.75m ²

- * xx can be WW=3000K, NW=4000K, CW=6500K and RGB
- * RGB color changing versions require Remote Controller (Part #: GL-MCL)
- * Power could be customized
- * Other colors/CCTs available on request
- * DMX512 controlled RGB Versions available on request

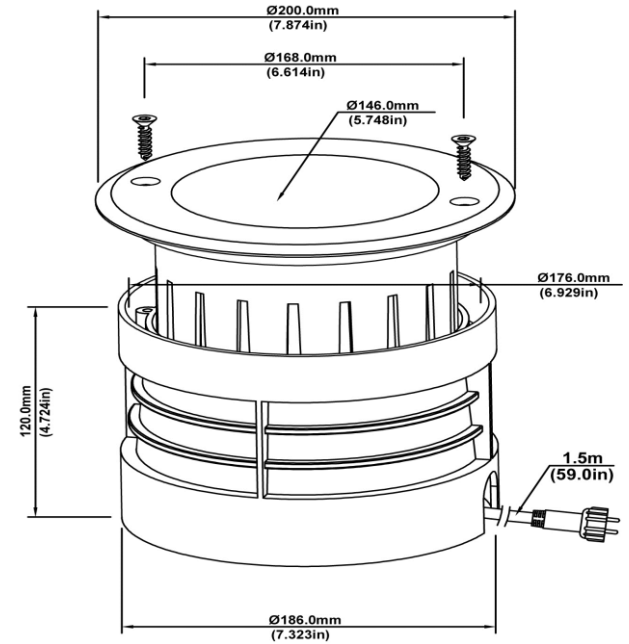


G200 18~36W GROUND LIGHT



FEATURES

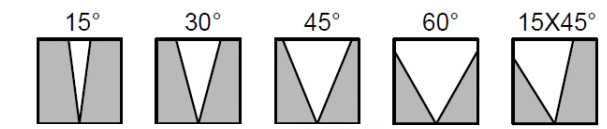
- Die Cast Aluminum + Stainless Steel
- Toughened Glass
- Low Voltage Operating
- Intergrated High Power LED
- Full Colors / CCTs available
- Waterproof IP68
- Quick-Safety-Connect
- Maintenance Free
- Ambient Temperature.: -30~+45°C
- RoHs and REACH Compliant
- Average Life: 50.000 Hrs.
- Warranty: 3~5 Years
- Typical Application: Landscape



Standard Order Codes

Part #	LED	Color	Beam	Volts	Power	Lumen	Cable
GL-G200-xx18W	CREE	WW, NW, CW, RGB	15/30/45/60 15x45°	12V AC or 12-24V DC	18W	1800LM (100lm/W)	1.5M 2x0.75m²
GL-G200-xx36W	CREE	WW, NW, CW, RGB	15/30/45/60 15x45°	12V AC or 12-24V DC	36W	3600LM (100lm/W)	1.5M 2x0.75m²

- * xx can be WW=3000K, NW=4000K, CW=6500K and RGB
- * RGB color changing versions require Remote Controller (Part #: GL-MCL)
- * Power could be customized
- * Other colors/CCTs available on request
- * DMX512 controlled RGB Versions available on request

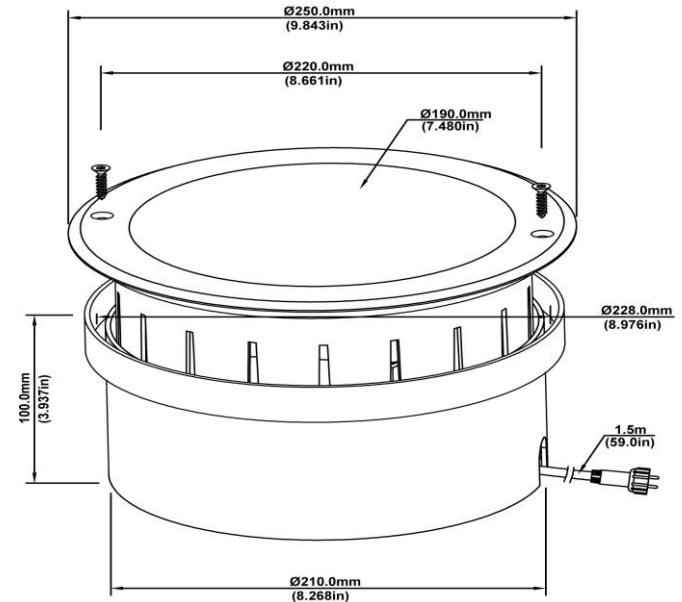


G250 24~48W GROUND LIGHT



FEATURES

- Die Cast Aluminum + Stainless Steel
- Toughened Glass
- Low Voltage Operating
- Intergrated High Power LED
- Full Colors / CCTs available
- Waterproof IP68
- Quick-Safety-Connect
- Maintenance Free
- Ambient Temperature.: -30~+45°C
- RoHs and REACH Compliant
- Average Life: 50.000 Hrs.
- Warranty: 3~5 Years
- Typical Application: Landscape



Standard Order Codes

Part #	LED	Color	Beam	Volts	Power	Lumen	Cable
GL-G250-xx24W	CREE	WW, NW, CW, RGB	15/30/45/60 15x45°	12V AC or 12-24V DC	24W	2400LM (100lm/W)	1.5M 2x0.75m ²
GL-G250-xx48W	CREE	WW, NW, CW, RGB	15/30/45/60 15x45°	12V AC or 12-24V DC	48W	4800LM (100lm/W)	1.5M 2x0.75m ²

- * xx can be WW=3000K, NW=4000K, CW=6500K and RGB
- * RGB color changing versions require Remote Controller (Part #: GL-MCL)
- * Power could be customized
- * Other colors/CCTs available on request
- * DMX512 controlled RGB Versions available on request