

0/1-10V LED dimmable driver---Constant voltage 80W

Feature:

- Output constant voltage
- Universal AC input:100-265VAC
- Built-in active PFC function
- High efficiency up to 87%
- Protections: Short circuit/Over current/Over loading
- Cooling by free air convection
- IP66 design for indoor or outdoor installation
- Class 1 power unit
- Three in one dimming function(0/1-10Vdc or PWM signal or resistance)
- Dimming range: 0-100%
- Suitable for LED lighting and moving sign applications
- Compliance to worldwide safety regulations for lighting
- Three years warranty



■ Specification

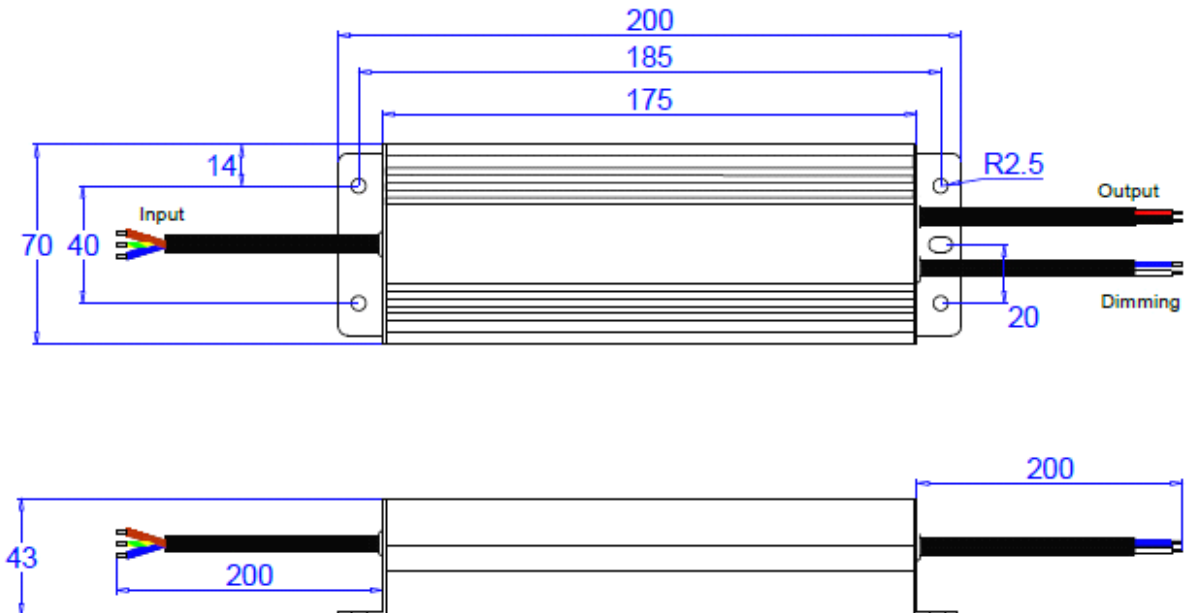
CE   IP66 SELV

Model		KV-12080-A-DIM	KV-24080-A-DIM	KV-36080-A-DIM	KV-48080-A-DIM
Output	DC Voltage	12V	24V	36V	48V
	Voltage Tolerance	±0.5V			
	Rated current	0 - 6.6A	0 - 3.3 A	0 - 2.2A	0 - 1.67 A
	Rated power	80W			
Input	Voltage Range	100~265VAC			
	Frequency Range	47~63HZ			
	Power Factor	PF≥0.95/120VAC PF≥0.92/230VAC PF≥0.90/265VAC (Full loading)			
	Efficiency (Typ.)	83%	85%	87%	87%
	AC Current (Max.)	0.88A	0.86A	0.84A	0.84A
	Leakage current	<0.5mA			
Protection	Short Circuit	Hiccup mode, recovers automatically after fault condition is removed			
	Over Loading	≤120%			
	Over Current	≤1.2*Iout			
	Over temperature	100°C±10°C, Shut down o/p voltage, recovers automatically after temp. goes down.			
Environment	Working TEMP.	-40~+60°C			
	Working Humidity	20~95%RH non-condensing			
	Storage TEMP., Humidity	-40~+80°C, 10~95%RH			
	TEMP. coefficient	±0.03%/°C (0~50°C)			
	Vibration	10~500Hz, 5G 12min./1 cycle, period for 72min.each along X,Y,Z axes			
Safety&EMC	Safety standards	EN61347-1 EN61347-2-13			
	Withstand voltage	I/P-O/P:3.75KVAC I/P-FG:1.88KVAC O/P-FG:0.5KVAC			
	Isolation resistance	I/P-O/P I/P-FG O/P-FG: 100M Ohms/500VDC/25°C/70%RH			
	EMC EMISSION	EN55015,EN61000-3-2 (≥60%load)			

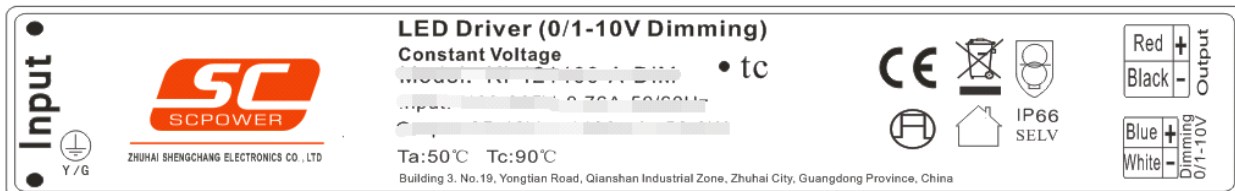
0/1-10V LED dimmable driver---Constant voltage 80W

	EMC IMMUNITY	EN61000-4-2,3,4,5,6,11,EN61547, light industry Level Criteria A
Others	Net. Weight	1.1KG
	Size	230*70*46mm
	packing	329*279*176mm/10pcs /CTN
Notes	<p>1. All parameters NOT specially mentioned are measured at 230VAC input , rated load and 25°C of ambient temperature.</p> <p>2. Tolerance: includes set up tolerance, line regulation and load regulation .</p> <p>3. The power supply is considered as a component that will be operated in combination with final Equipment. Since EMC performance will be affected by the complete installation, the final equipment manufactures must be-qualify EMC Directive on the complete installation again.</p>	

■ 80W 0-10V dimmable driver Mechanical Specification



■ Label



※Input Rubber cable H05RN-F 3G 1.0mm², the green/yellow cable connect with (FG), Brown with AC (L), Blue with AC(N)

※Signal Rubber H05RN-F 2G*0.75 mm², Blue is (DIM+) ,White is (DIM-)

※Output rubber cable H05RN-F 2G*1.0 mm², Red is output (V+) ,Black is output (V-).

Note: Any other requests we can customized.

0/1-10V LED dimmable driver---Constant voltage 80W

■ Dimming Operation

※Built-in 3 in 1 dimming function, IP66 rated .Output luminous can be adjusted through output cable by connecting a resistance or 0/1-10Vdc or 10V PWM signal between DIM+ and DIM-.

※Please DO NOT connect “DIM-“ to “LED-“

※Reference resistance value: (Typical)

Resistance value	Single driver	0Ω	10KΩ	20KΩ	30KΩ	40KΩ	50KΩ	60KΩ	70KΩ	80KΩ	90KΩ	100KΩ	OPEN
	Multiple drivers	0Ω/N	10KΩ/N	20KΩ/N	30KΩ/N	40KΩ/N	50KΩ/N	60KΩ/N	70KΩ/N	80KΩ/N	90KΩ/N	100KΩ/N	——
Percentage of luminous		0%	10%	20%	30%	40%	50%	60%	70%	80%	90%	100%	100%

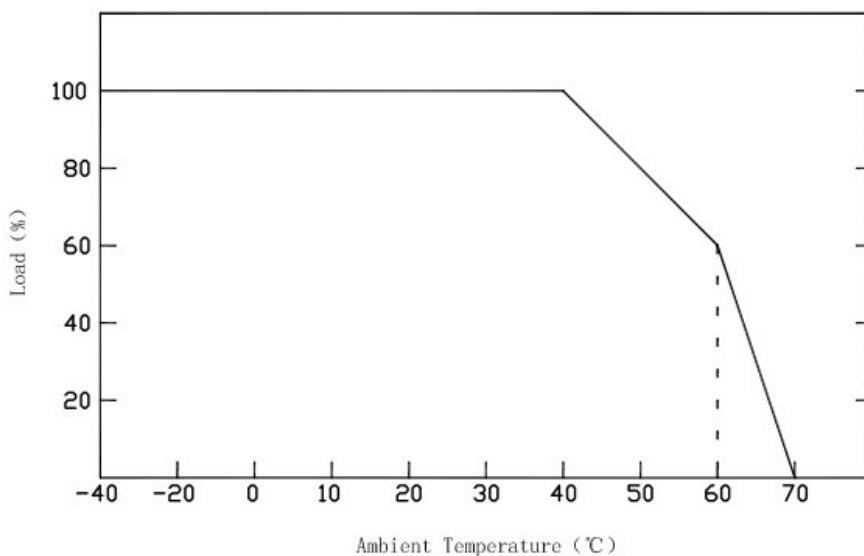
※1-10/0-10V dimmable function :(Typical)

Dimming value	0V	1V	2V	3V	4V	5V	6V	7V	8V	9V	10V	OPEN
Percentage of luminous	0%	10%	20%	30%	40%	50%	60%	70%	80%	90%	100%	100%

※10V PWM signal: (Typical): Frequency range:100Hz-3KHZ

Duty value	0%	10%	20%	30%	40%	50%	60%	70%	80%	90%	100%	OPEN
Percentage of luminous	0%	10%	20%	30%	40%	50%	60%	70%	80%	90%	100%	100%

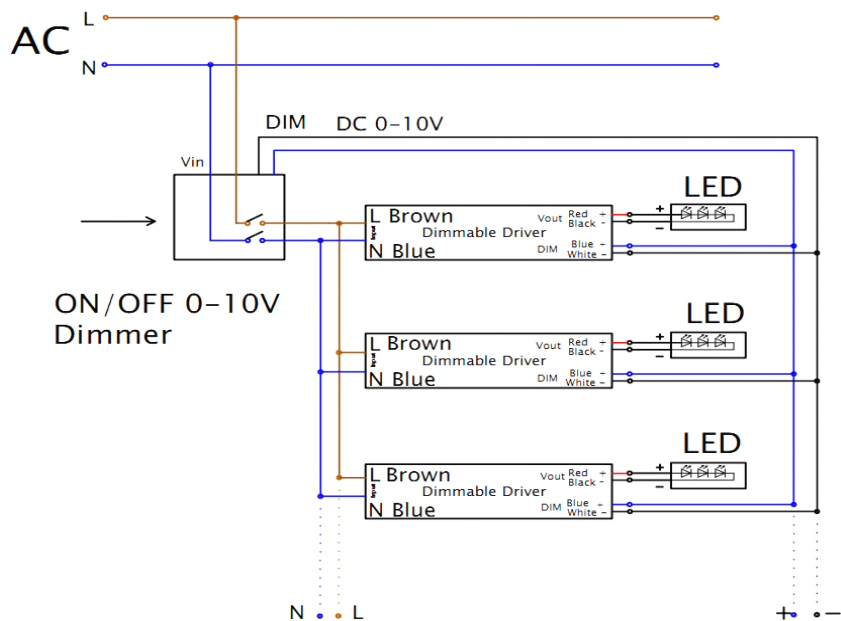
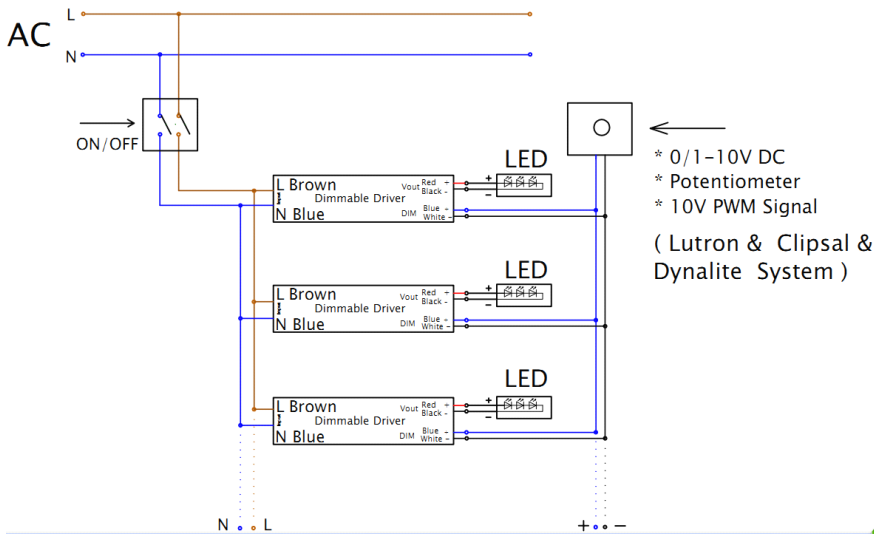
■ Derating Curve



※ To extend their life ,please refer to the Derating Curve and derate according to the temperature

0/1-10V LED dimmable driver---Constant voltage 80W

■ Connect Drawing



■ Instruction

- 1) This driver should be installed by qualified and professional person;
- 2) Suitable for indoor use and outdoor use; Good ventilation are need;
- 3) Ensure that wiring is correct before test in order to avoid light damage;
- 4) If driver cannot work normally, don't maintain privately; Have any questions, please contact Shengchang;