

0/1-10V LED dimmable driver---Constant voltage360W

**Feature:**

- Output constant voltage
- Universal AC input:100-265VAC
- Built-in active PFC function
- High efficiency up to 92%
- Protections: Short circuit/Over current/Over loading
- Cooling by free air convection
- IP66 design for indoor or outdoor installation
- Class 1 power unit
- Three in one dimming function(0/1-10Vdc or PWM signal or resistance)
- Dimming range: 0-100%
- Suitable for LED lighting and moving sign applications
- Compliance to worldwide safety regulations for lighting
- Three years warranty



■ Specification

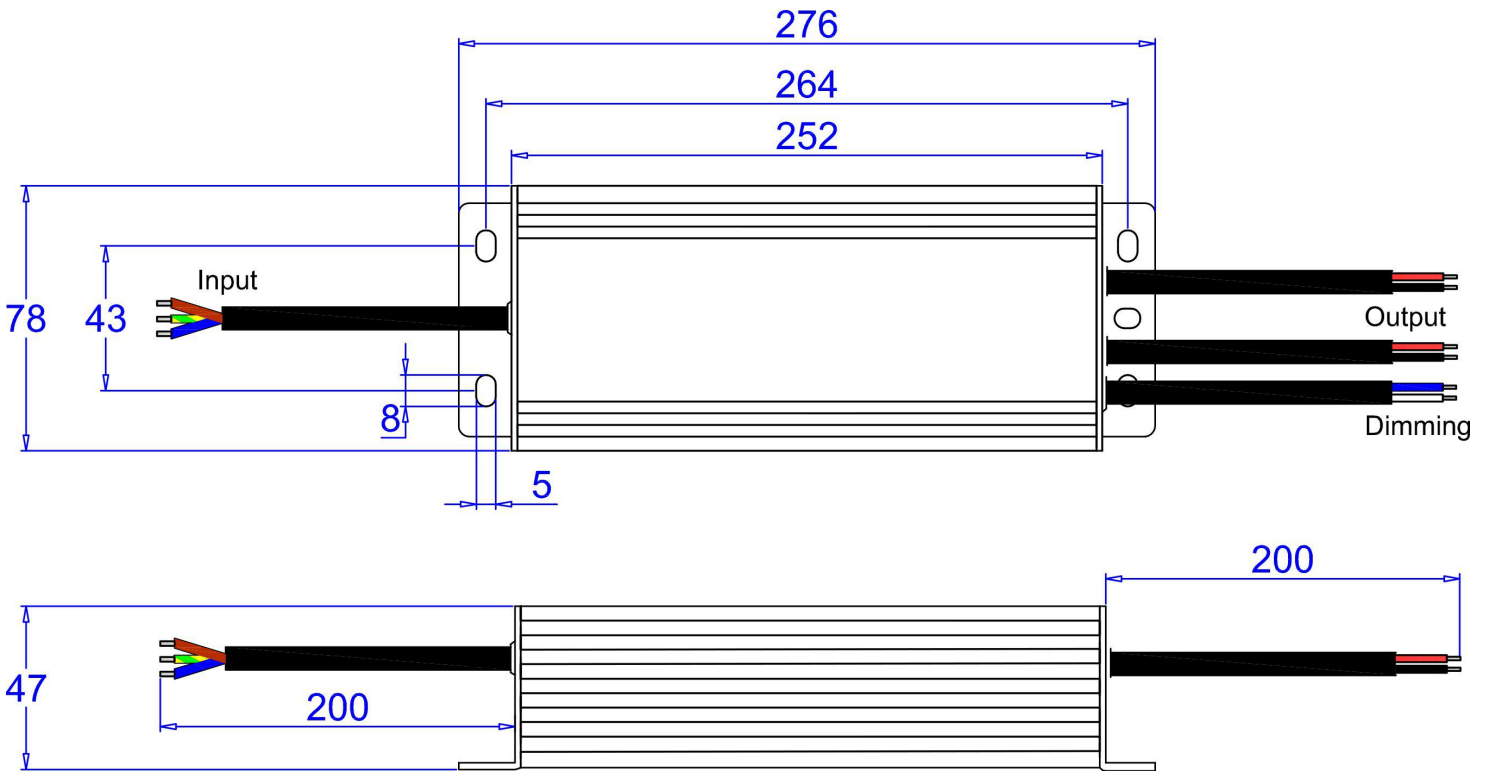
CE   IP66 SELV

Model		KV-12360-A-DIM	KV-24360-A-DIM
Output	DC Voltage	12V	24V
	Voltage Tolerance	±0.5V	
	Rated current	0 - 30A	0 - 15A
	Rated power	360W (320W max AC100-130V)	360W(320W max AC100-130V)
Input	Voltage Range	100-265VAC (Output power Max 320W when input voltage AC 100-130V)	
	Frequency Range	47-63HZ	
	Power Factor	PF ≥ 0.98/120VAC PF ≥ 0.98/230VAC PF ≥ 0.95/265VAC(Full loading)	
	Efficiency(Typ.)	91%	92%
	AC Current(Max.)	4.1A	4.0A
	Leakage current	<0.5mA	
Protection	Short Circuit	Hiccup mode, recovers automatically after fault condition is removed	
	Over Loading	≤120%	
	Over Current	≤1.2*Iout	
Environment	Working TEMP.	-40-+60°C	
	Working Humidity	20-95%RH non-condensing	
	Storage TEMP., Humidity	-40-+80°C, 10-95%RH	
	TEMP. coefficient	±0.03%/°C(0-50°C)	
	Vibration	10~500Hz, 5G 12min./1 cycle, period for 72min.each along X,Y,Z axes	
Safety&EMC	Safety standards	EN61347-1 EN61347-2-13	
	Withstand voltage	I/P-O/P:3.75KVAC I/P-FG:1.88KVAC O/P-FG:0.5KVAC	
	Isolation resistance	I/P-O/P I/P-FG O/P-FG:100M Ohms/500VDC/25°C/70%RH	
	EMC EMISSION	EN55015,EN61000-3-2 (≥60%load)	

0/1-10V LED dimmable driver---Constant voltage360W

	EMC IMMUNITY	EN61000-4-2,3,4,5,6,11,EN61547, light industry Level(surge 4KV) Criteria A
<b>Others</b>	Net. Weight	1.7Kg
	Size	276*78*47mm(L*W*H)
	packing	390*310*185mm/10pcs /CTN
<b>Notes</b>	<p>1. All parameters NOT specially mentioned are measured at 230VAC input , rated load and 25°C of ambient temperature.</p> <p>2. Tolerance: includes set up tolerance, line regulation and load regulation .</p> <p>3. The power supply is considered as a component that will be operated in combination with final Equipment. Since EMC performance will be affected by the complete installation, the final equipment manufactures must be-qualify EMC Directive on the complete installation again.</p>	

■ 360W 0-10V dimmable driver Mechanical Specification



■ Label

<b>Input</b>  Y/G  N Blue	<b>ZHUHAI SHENGCHANG ELECTRONICS CO.,LTD.</b> Made in China	<b>LED Driver ( 0-10V/1-10V Dimming )</b> Constant Voltage Model: KV-12360-A-DIM Input: 170-265V~ 4.1A 50/60Hz Output: 12V==30A 360W Output: 12V==26.67A 320W Input:100-130V AC ta: 40°C tc: 70°C Building 3, No.19, Yongtian Road, Qianshan Industrial Zone, Zhuhai City, Guangdong Province, China	   • tc	<table border="1"> <tr> <td rowspan="2">Dimming 0/1-10V</td> <td>Output</td> <td>Red</td> <td>+</td> </tr> <tr> <td>Black</td> <td>-</td> <td></td> </tr> <tr> <td rowspan="2">Dimming 0/1-10V</td> <td>Blue</td> <td>+</td> <td></td> </tr> <tr> <td>White</td> <td>-</td> <td></td> </tr> </table>	Dimming 0/1-10V	Output	Red	+	Black	-		Dimming 0/1-10V	Blue	+		White	-	
		Dimming 0/1-10V	Output	Red		+												
Black	-																	
Dimming 0/1-10V	Blue	+																
	White	-																

0/1-10V LED dimmable driver---Constant voltage360W

※Input Rubber cable H05RN-F 3\*1.0mm<sup>2</sup> ,the green /yellow cable connect with (FG),Brown with AC (L),Blue with AC(N)

※Signal Rubber H05RN-F 2G\*0.75 mm<sup>2</sup>,Blue is(DIM+),White is(DIM-)

※Output Rubber cable SJTW 14AWG ( 2\*2.08mm<sup>2</sup> ) ,Red is output(V+) Positive,Black is output (V-) negative.Connected to LED Lamps. 12V DC model two groups output cable / 24V DC model one group output cable.

Note: Any other requests we can customized.

■ **Dimming Operation**

※Built-in 3 in 1 dimming function, IP66 rated .Output luminous can be adjusted through output cable by connecting a resistance or 0/1-10Vdc or 10V PWM signal between DIM+ and DIM-.

※Please DO NOT connect “DIM-“ to “LED-“

※Reference resistance value: (Typical)

Resistance value	Single driver	0Ω	10KΩ	20KΩ	30KΩ	40KΩ	50KΩ	60KΩ	70KΩ	80KΩ	90KΩ	100KΩ	OPEN
	Multiple drivers	0Ω/N	10KΩ/N	20KΩ/N	30KΩ/N	40KΩ/N	50KΩ/N	60KΩ/N	70KΩ/N	80KΩ/N	90KΩ/N	100KΩ/N	——
Percentage of luminous		0%	10%	20%	30%	40%	50%	60%	70%	80%	90%	100%	100%

※1-10/0-10V dimmable function :(Typical)

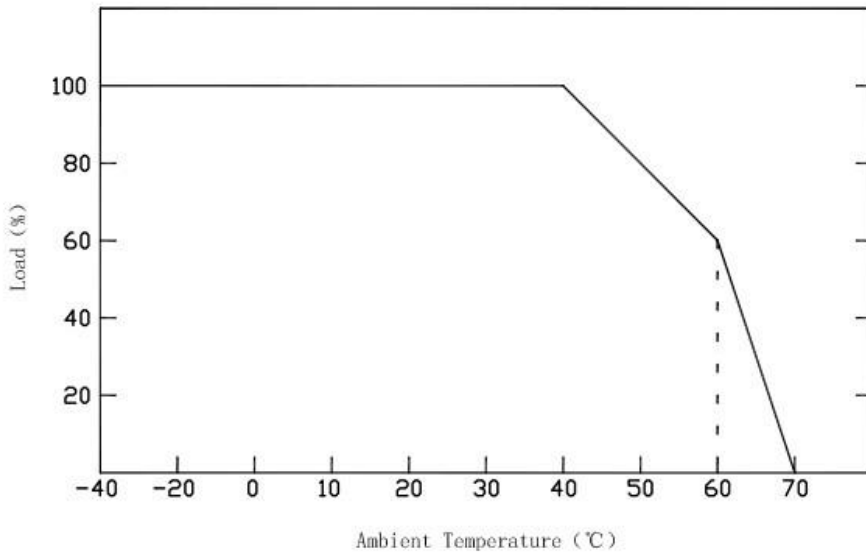
Dimming value	0V	1V	2V	3V	4V	5V	6V	7V	8V	9V	10V	OPEN
Percentage of luminous	0%	10%	20%	30%	40%	50%	60%	70%	80%	90%	100%	100%

※10V PWM signal: (Typical): Frequency range:100Hz-3KHZ

Duty value	0%	10%	20%	30%	40%	50%	60%	70%	80%	90%	100%	OPEN
Percentage of luminous	0%	10%	20%	30%	40%	50%	60%	70%	80%	90%	100%	100%

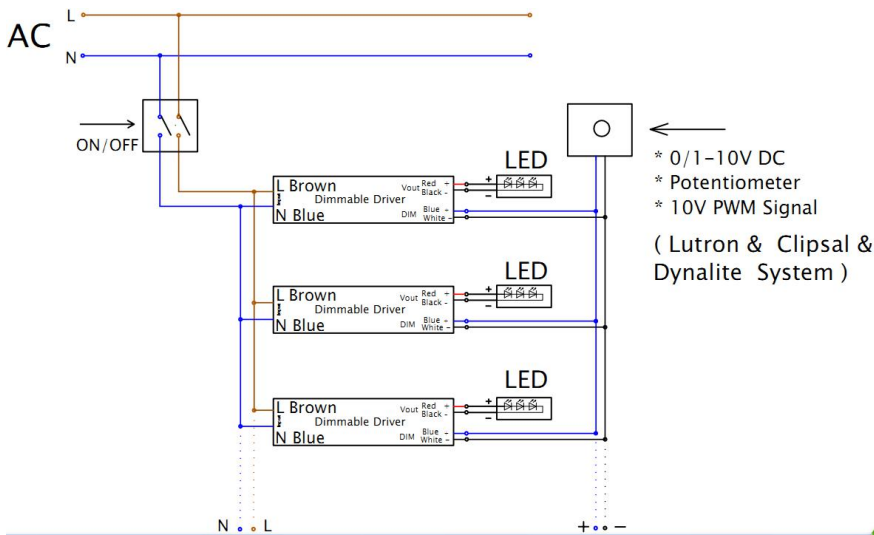
■ **Derating Curve**

0/1-10V LED dimmable driver---Constant voltage360W

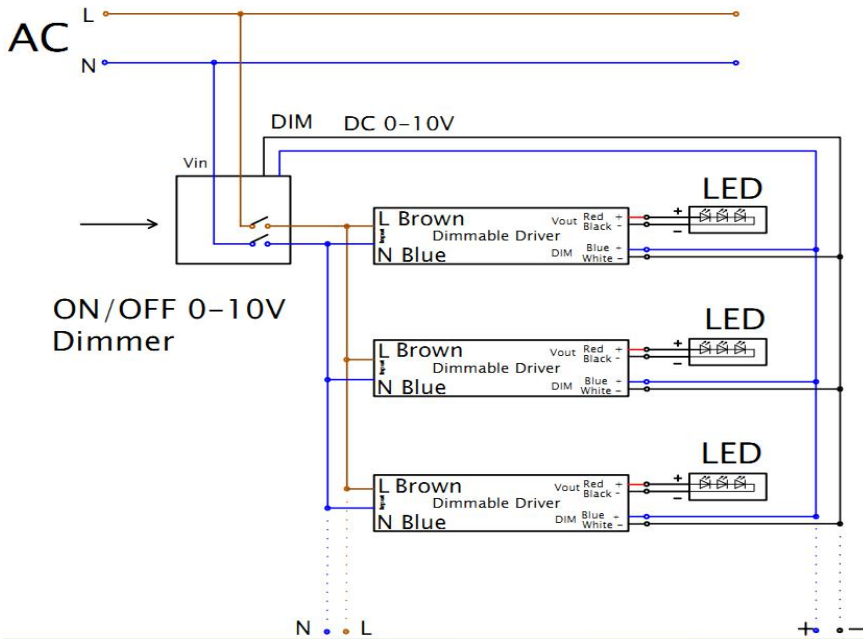


※ To extend their life ,please refer to the Derating Curve and derate according to the temperature

■ Connect Drawing



0/1-10V LED dimmable driver---Constant voltage360W



■ Instruction

- 1) This driver should be installed by qualified and professional person;
- 2) Suitable for indoor use and outdoor use; Good ventilation are need;
- 3) Ensure that wiring is correct before test in order to avoid light damage;
- 4) If driver cannot work normally, don't maintain privately; Have any questions, please contact Shengchang;