

0/1-10V LED dimmable driver---Constant current 30W

■ Feature

- Output constant current.
- Universal AC input:100-265VAC
- Built-in active PFC function
- High efficiency up to 86%
- Protections:Short circuit/Over current/Over loading
- Cooling by free air convection
- Fully isolated plastic case with terminals IP20
- Class 2 power unit
- Three in one dimming function(0/1-10Vdc or PWM signal or resistance)
- Dimming range: 0-100%
- Suitable for LED lighting and moving sign applications
- Compliance to worldwide safety regulations for lighting
- Three years warranty



Specification

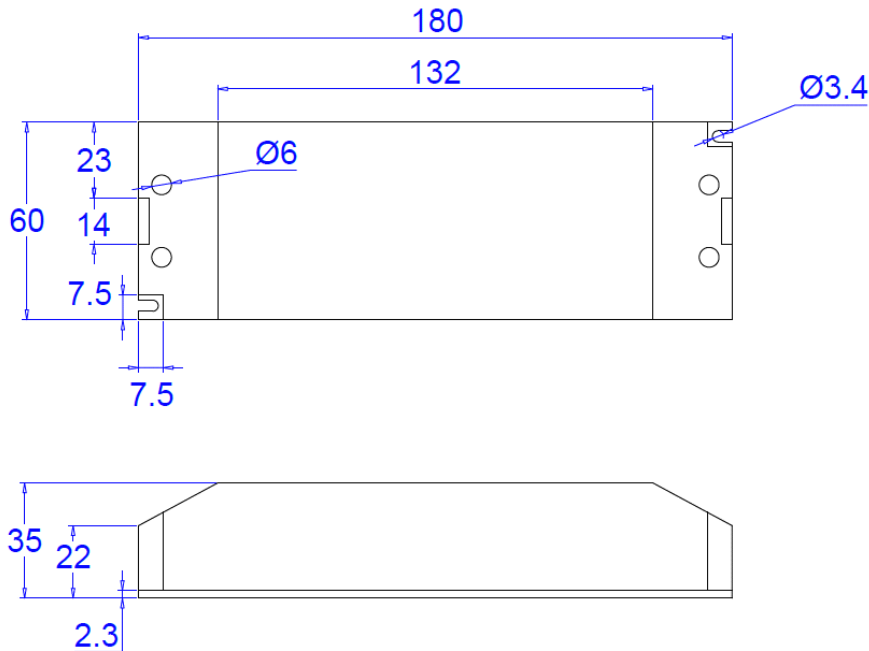


Model		KI-80350-P-DIM	KI-60500-P-DIM	KI-45700-P-DIM	KI-36900-P-DIM	KI-301050-P-DIM
Output	DC Current	350mA	500mA	700mA	900ma	1050mA
	Current Tolerance	±5%				
	Output voltage range	48-80V	36-60V	27-45V	22-36V	18-30V
	Rated power	28W	30W	31.5W	32.4W	31.5W
	Open circuit voltage(Max)	85V	65V	50V	40V	35V
Input	Voltage Range	100~265VAC				
	Frequency Range	47~63HZ				
	Power Factor	PF≥0.95/120VAC PF≥0.90/230VAC PF≥0.88/265VAC (Full Loading)				
	Efficiency (Typ.)	86%	86%	86%	86%	86%
	AC Current (Max.)	0.30A	0.28A	0.33A	0.34	0.33A
	Leakage current	<0.5mA				
Protection	Short Circuit	Hiccup mode, recovers automatically after fault condition is removed				
	Over Loading	≤120%				
Environment	Working TEMP.	-40~+60℃				
	Working Humidity	20~90%RH non-condensing				
	Storage TEMP.,Humidity	-40~+80℃, 10~95%RH				
	TEMP.coefficient	±0.03%/℃ (0~50℃)				
	Vibration	10~500Hz, 2G 12min./1 cycle, period for 72min. each along X,Y,Z axes				
Safety&EMC	Safety standards	EN61347-1 EN61347-2-13				
	Withstand voltage	I/P-O/P:3.75KVAC				
	Isolation resistance	I/P-O/P: 100M Ohms/500VDC/25℃/70%RH				
	EMC EMISSION	Compliance to EN55015,EN61000-3-2 (≥60%load)				
	EMC IMMUNITY	Compliance to EN61000-4-2,3,4,5,6,11, EN61547, light industry Level(surge 4KV) Criteria A				
Others	Net.Weight	0.45Kg				

0/1-10V LED dimmable driver---Constant current 30W

	Size	180*60*35mm (L*W*H)
	Packing	355*215*215mm/20pcs /CTN
Notes	<p>1. All parameters NOT specially mentioned are measured at 230VAC input , rated load and 25°C of ambient temperature.</p> <p>2. Tolerance:includes set up tolerance,line regulation and load regulation .</p> <p>3. The power supply is considered as a component that will be operated in combination with final Equipment. Since EMC performance will be affected by the complete installation,the final equipment manufactures must be-qualify EMC Directive on the complete installation again.</p>	

■ 30W 0-10V dimmable driver Mechanical Specification



■ Label



※Input with Live Wire(L) Neutral Wire (N)

※Signal Dimming (0/1-10V) (DIM+), (DIM-)

※Output LED SEC (LED+) , (LED-)

Note: Any other requests we can customized.

0/1-10V LED dimmable driver---Constant current 30W

■ Dimming Operation

※Built-in 3 in 1 dimming function, IP20 rated .Output luminous can be adjusted through output cable by connecting a resistance or 0/1-10Vdc or 10V PWM signal between DIM+ and DIM-.

※Please DO NOT connect “DIM-“ to “LED-“

※Reference resistance value: (Typical)

Resistance value	Single driver	0Ω	10KΩ	20KΩ	30KΩ	40KΩ	50KΩ	60KΩ	70KΩ	80KΩ	90KΩ	100KΩ	OPEN
	Multiple drivers	0Ω/N	10KΩ/N	20KΩ/N	30KΩ/N	40KΩ/N	50KΩ/N	60KΩ/N	70KΩ/N	80KΩ/N	90KΩ/N	100KΩ/N	—
Percentage of luminous		0%	10%	20%	30%	40%	50%	60%	70%	80%	90%	100%	100%

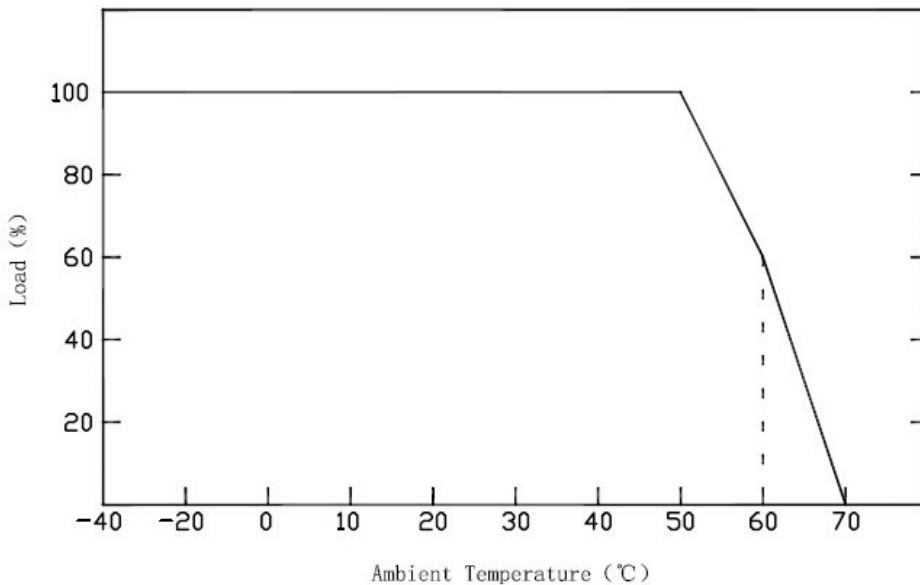
※1-10/0-10V dimmable function :(Typical)

Dimming value	0V	1V	2V	3V	4V	5V	6V	7V	8V	9V	10V	OPEN
Percentage of luminous	0%	10%	20%	30%	40%	50%	60%	70%	80%	90%	100%	100%

※10V PWM signal: (Typical): Frequency range:100Hz-3KHZ

Duty value	0%	10%	20%	30%	40%	50%	60%	70%	80%	90%	100%	OPEN
Percentage of luminous	0%	10%	20%	30%	40%	50%	60%	70%	80%	90%	100%	100%

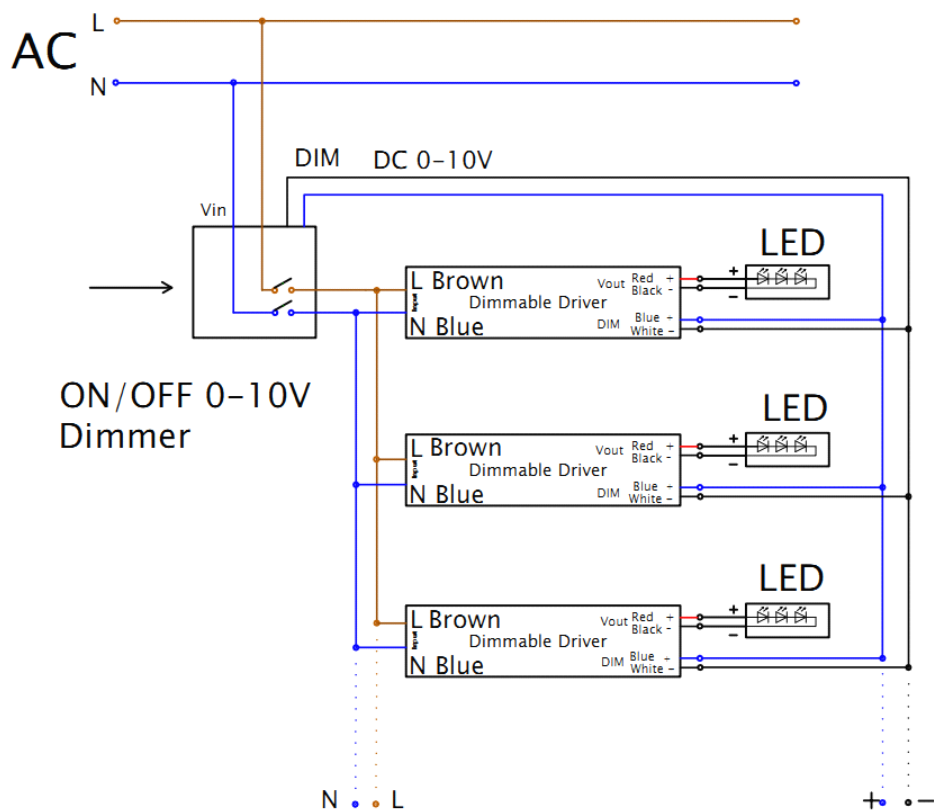
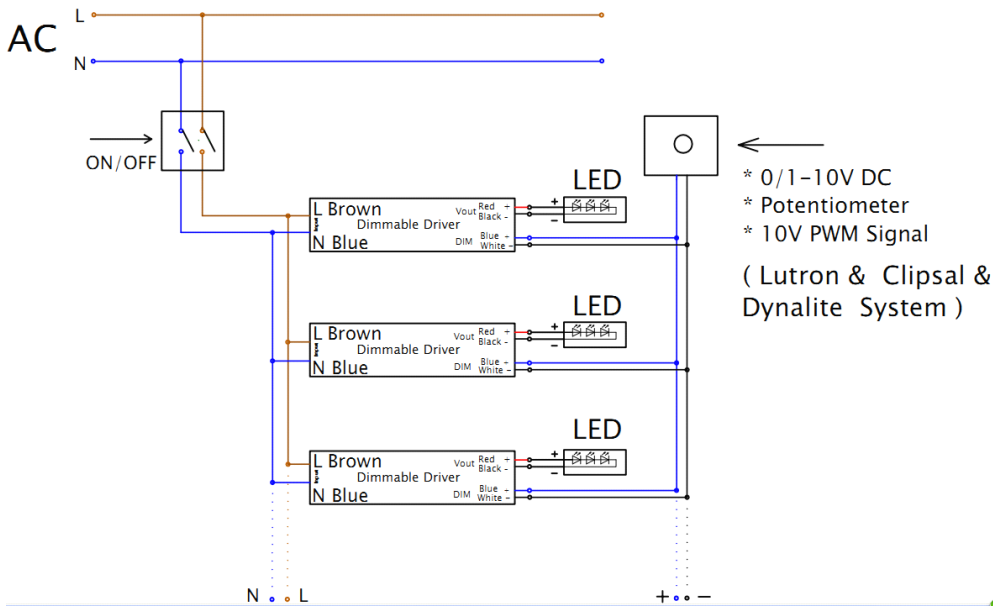
■ Derating Curve



※ To extend their life ,please refer to the Derating Curve and derate according to the temperature

0/1-10V LED dimmable driver---Constant current 30W

■ Connect Drawing



■ Instruction

- 1) This driver should be installed by qualified and professional person;
- 2) Suitable for indoor use without direct sunlight exposure; Good ventilation are need;
- 3) Ensure that wiring is correct before test in order to avoid light damage;
- 4) If driver cannot work normally, don't maintain privately; Have any questions, please contact Shengchang