

0/1-10V LED dimmable driver---Constant Current 120W

■ Feature

- Output constant current
- Universal AC input:100-265VAC
- Built-in active PFC function
- High efficiency up to 87%
- Protections:Short circuit/Over current/Over loading
- Cooling by free air convection
- IP66 design for indoor or outdoor installation
- Class 1 power unit
- Three in one dimming function(0/1-10Vdc or PWM signal or resistance)
- Dimming range: 0-100%
- Suitable for LED lighting and moving sign applications
- Compliance to worldwide safety regulations for lighting
- Three years warranty



■ Specification

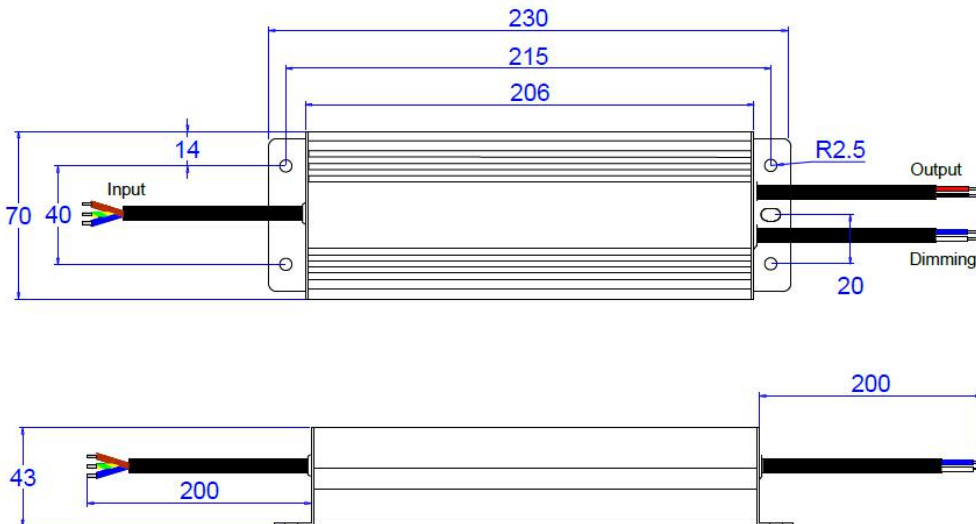
CE   IP66 SELV

Model		KI-502450-A-DIM	KI-422800-A-DIM	KI-363500--A-DIM
Output	DC Current	2450mA	2800mA	3500mA
	Current Tolerance	±5%		
	Output voltage range	30-50V	25-42V	22-36V
	Rated power	122.5W	117.6W	126W
	Open circuit voltage(Max)	55V	46V	40V
Input	Voltage Range	100~265VAC		
	Frequency Range	47~63HZ		
	Power Factor	PF≥0.98/120VAC PF≥0.98/230VAC PF≥0.95/265VAC ( Full loading )		
	Efficiency (Typ.)	87%	87%	87%
	AC Current (Max.)	1.23A	1.18A	1.27A
	Leakage current	<0.5mA		
Protection	Short Circuit	Hiccup mode, recovers automatically after fault condition is removed		
	Over Loading	≤120%		
	Over temperature	100℃±10℃, Shut down o/p voltage, recovers automatically after temp. goes down.		
Environment	Working TEMP.	-40~+60℃		
	Working Humidity	20~95%RH non-condensing		
	Storage TEMP.,Humidity	-40~+80℃, 10~95%RH		
	TEMP.coefficient	±0.03%/℃ (0~50℃)		
	Vibration	10~500Hz, 5G 12min./1 cycle, period for 72min. each along X,Y,Z axes		
Safety&EMC	Safety standards	EN61347-1 EN61347-2-13		
	Withstand voltage	I/P-O/P:3.75KVAC I/P-FG:1.88KVAC O/P-FG:0.5KVAC		
	Isolation resistance	I/P-O/P I/P-FG O/P-FG: 100M Ohms/500VDC/25℃/70%RH		
	EMC EMISSION	Compliance to EN55015,EN61000-3-2 (≥60%load)		

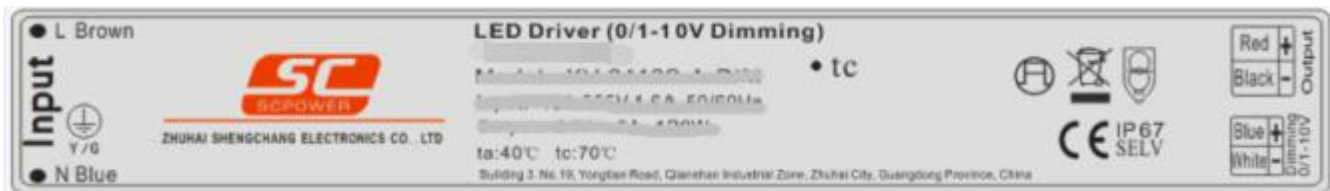
0/1-10V LED dimmable driver---Constant Current 120W

	EMC IMMUNITY	Compliance to EN61000-4-2,3,4,5,6,11, EN61547, light industry Level Criteria A
<b>Others</b>	Net.Weight	1.1Kg
	Size	230*70*60mm (L*W*H)
	Packing	330*280*176mm 10PCS /CTN
<b>Notes</b>	1. All parameters NOT specially mentioned are measured at 230VAC input , rated load and 25°C of ambient temperature. 2. Tolerance:includes set up tolerance,line regulation and load regulation . 3. The power supply is considered as a component that will be operated in combination with final Equipment. Since EMC performance will be affected by the complete installation,the final equipment manufactures must be-qualify EMC Directive on the complete installation again.	

■ 120W 0-10V dimmable driver Mechanical Specification



■ Label



※Input Rubber cable H05RN-F 3G 1.0mm<sup>2</sup>, the green/yellow cable connect with (FG), Brown with AC (L), Blue with AC(N)

※Signal Rubber H05RN-F 2G\*0.75 mm<sup>2</sup>, Blue is (DIM+) ,White is (DIM-)

※Output rubber cable H05RN-F 2G\*1.0 mm<sup>2</sup>, Red is output (V+) ,Black is output (V-) .

Note: Any other requests we can customized.

0/1-10V LED dimmable driver---Constant Current 120W

**■ Dimming Operation**

※Built-in 3 in 1 dimming function, IP20 rated .Output luminous can be adjusted through output cable by connecting a resistance or 0/1-10Vdc or 10V PWM signal between DIM+ and DIM-.

※Please DO NOT connect “DIM-“ to “LED-“

※Reference resistance value: (Typical)

Resistance value	Signle driver	0Ω	10KΩ	20KΩ	30KΩ	40KΩ	50KΩ	60KΩ	70KΩ	80KΩ	90KΩ	100KΩ	OPEN
	Multiple drivers	0Ω/N	10KΩ/N	20KΩ/N	30KΩ/N	40KΩ/N	50KΩ/N	60KΩ/N	70KΩ/N	80KΩ/N	90KΩ/N	100KΩ/N	—
Percentage of luminous		0%	10%	20%	30%	40%	50%	60%	70%	80%	90%	100%	100%

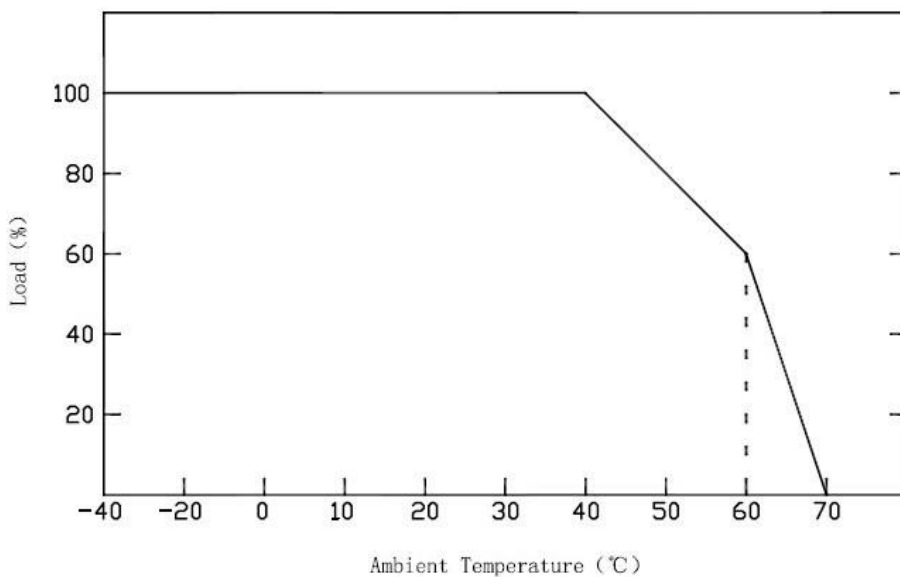
※1-10/0-10V dimmable function :(Typical)

Dimming value	0V	1V	2V	3V	4V	5V	6V	7V	8V	9V	10V	OPEN
Percentage of luminous	0%	10%	20%	30%	40%	50%	60%	70%	80%	90%	100%	100%

※10V PWM signal: (Typical): Frequency range:100Hz-3KHZ

Duty value	0%	10%	20%	30%	40%	50%	60%	70%	80%	90%	100%	OPEN
Percentage of luminous	0%	10%	20%	30%	40%	50%	60%	70%	80%	90%	100%	100%

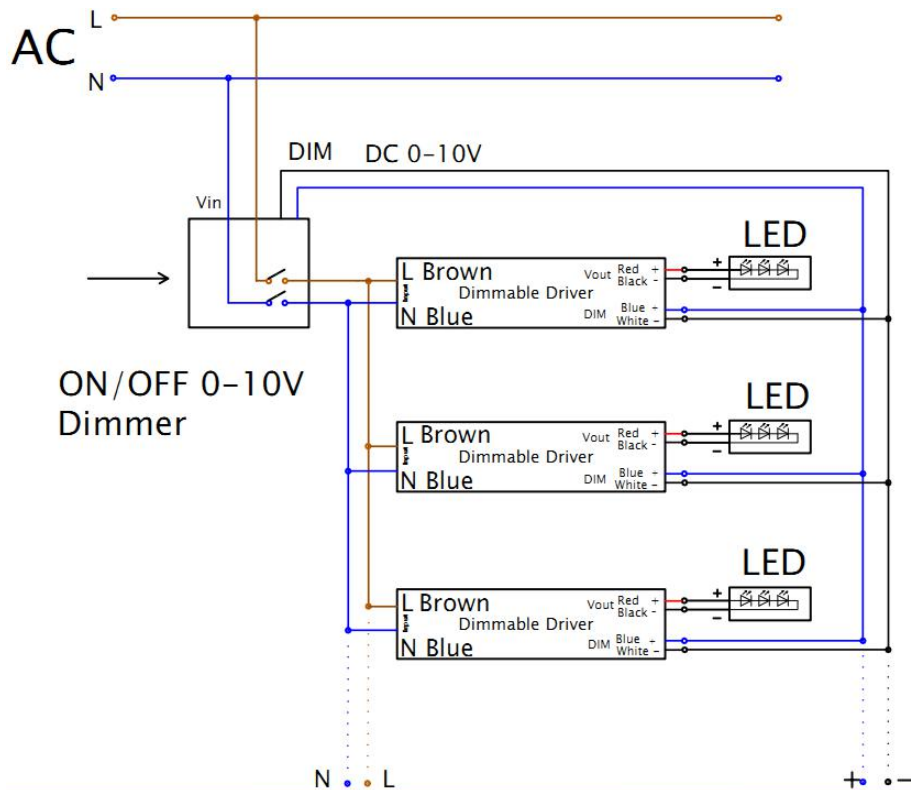
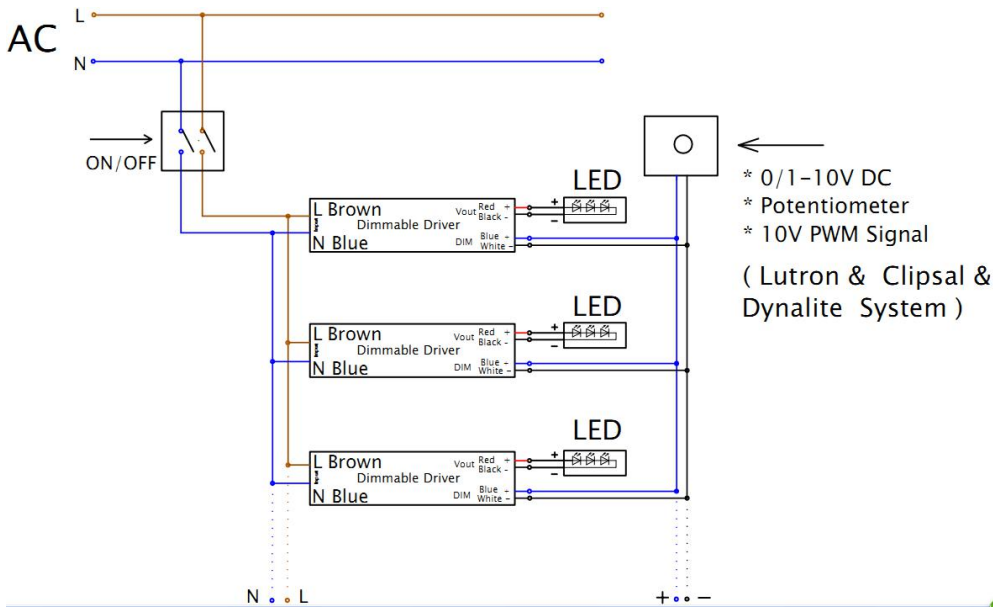
**■ Derating Curve**



※ To extend their life ,please refer to the Derating Curve and derate according to the temperature

0/1-10V LED dimmable driver---Constant Current 120W

■ Connect Drawing



■ Instruction

- 1) This driver should be installed by qualified and professional person;
- 2) Suitable for indoor use without direct sunlight exposure; Good ventilation are need;
- 3) Ensure that wiring is correct before test in order to avoid light damage;
- 4) If driver cannot work normally, don't maintain privately; Have any questions, please contact Shengchang