



Features:

- Output constant current
- Range AC input : 100-265VAC
- Efficiency 83% Max
- Protections: short circuit/over load/ over current/
- Full protection plastic housing easy installation
- IP20 design for indoor installation
- Cooling by free air convection
- Dimming function: 0-10V/1-10V/10V PWM dimmable
- Strong compatibility, flicker-free dimming
- Suitable for LED lighting and moving sign applications
- Suitable for dry locations



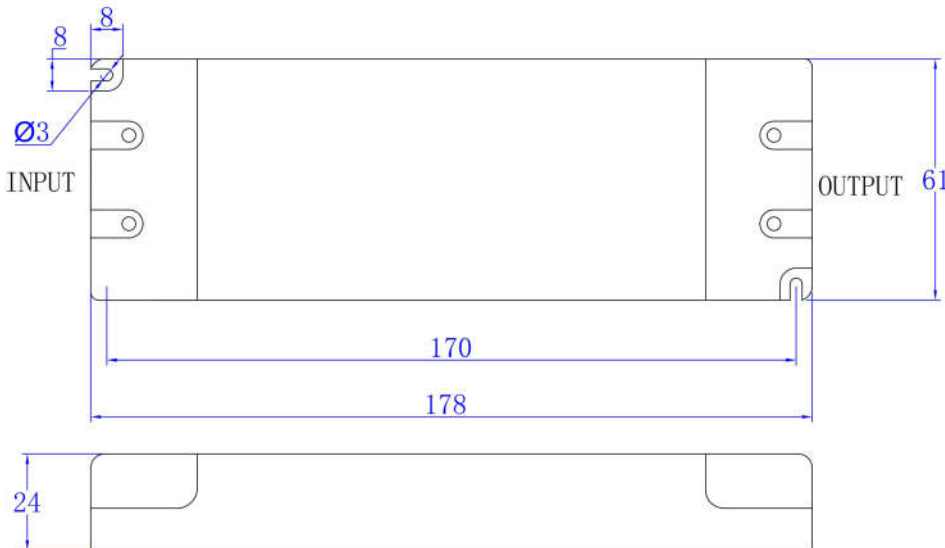
Specification

Model		KI-050-P-DIM					
Output	Rated current	1500mA 	1400mA 	1200mA 	1050mA 	900mA 	700mA
	Current Tolerance	±5%					
	DC Voltage	3-34V	3-36V	3-42V	3-48V	3-50V	3-50V
	Rated power	51W	50.4W	50.4W	50.4W	45W	35W
Input	Rated Input Voltage	100-265VAC					
	Rated Frequency:	47-63HZ					
	Power Factor	PF≥0.99/100VAC PF≥0.92/230VAC PF≥0.87/240VAC(Full loading)					
	Full Load Efficiency(Typ.)	81%	81%	82%	83%	83%	82%
	AC Current(Max.)	0.64A	0.64A	0.64A	0.60A	0.55A	0.44A
	Leakage current	<0.50mA					
Protection	Short Circuit	Hiccup mode, recovers automatically after fault condition is removed					
	Output No-Load Voltage	52-60V					
	Over Load	≤120%					
	Protection Class:	II					
Environment	Working TEMP.	-40-+60°C					
	Working Humidity	20-95%RH,non-condensing					
	Storage TEM. Humidity	-40-+80°C,10-95%RH					
	TEMP. coefficient	±0.03%/°C(0-50°C)					
	Vibration	10-500Hz,5G 12min./1 cycle,period for 72min.each along X,Y,Z axes					
Safety & EMC	Safety standards	EN61347-1 EN61347-2-13					
	Withstand voltage	I/P-O/P:3.75KVAC					
	Isolation resistance	I/P-O/P:100MΩ/500VDC/25°C/70%RH					
	EMC EMISSION	EN55015, EN61000-3-2,3 (≥ 50% load)					
	EMC IMMUNITY	EN61000-4-2,3,4,5,6, 11, EN61547,A light industry level (surge 4KV)					
Others	Weight	0.32Kg					

0-10V/1-10V dimmable driver---Constant Current DIP Adjustment Multi-current output series 50W

	Size	178*61*24mm(L*W*H)
	packing	185*65*28mm inner box 290*215*240mm outside carton 20PCS/CTN
Notes	1. All parameters NOT specially mentioned are measured at 230VAC input , rated load and 25°C of ambient temperature. 2. Tolerance: includes set us tolerance, line regulation and load regulation .	

■ Mechanical Specification



LED Driver(0/1-10V Dimming)

Constant Current • tc

Model:KI-050-P-DIM

Input:100-265V~ 0.64A 50/60Hz

Pout:51W max. Uout:3-50V ---

loutput:700-1500mA

ta: 50°C tc: 90°C

	700mA	900mA	1050mA	1200mA	1400mA	1500mA
ON	3-50V	3-50V	3-48V	3-42V	3-36V	3-34V
Max. Power	35W	45W	50.4W	50.4W	50.4W	51W

ZHUHAI SHENGCHANG ELECTRONICS CO.,LTD.
Building 3, No.19, Yongtian Road, Qianshan Industrial Zone, Zhuhai City, Guangdong Province, China

Made in China

■ Label

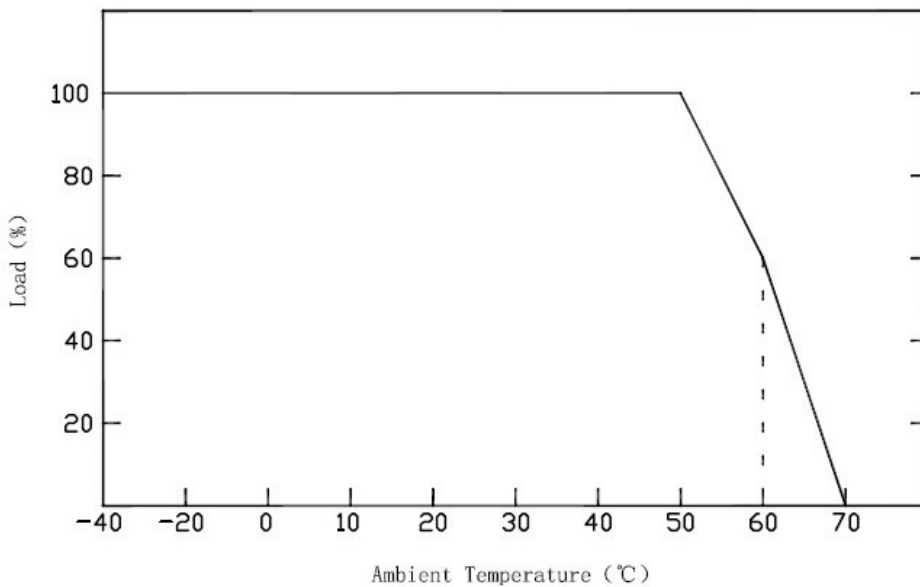
- ※Input with Live Wire AC (L), Neutral Wire AC(N)
- ※Output LED SEC output Positive (LED+) , output negative(LED-). Connected to LED Lamps.
- ※Signal dimming:0-10V or 1-10V (DIM +) ,(DIM +) To be connected to 0-10V or 1-10V dimmer or system.
- ※ Suggested wire diameter:Input 0.75-2.5mm²; Output:0.5-2.5mm².
- ※ Please make sure you connect these correctly otherwise your product will not function correctly and could be damaged.
- ※Note: Any other requests we can customized.

■ Dimming Operation

※ Built-in 3 in 1 dimming function, IP20 rated .Output luminous can be adjusted through output cable by connecting a resistance or 0/1-10Vdc or 10V PWM signal between DIM+ and DIM-.

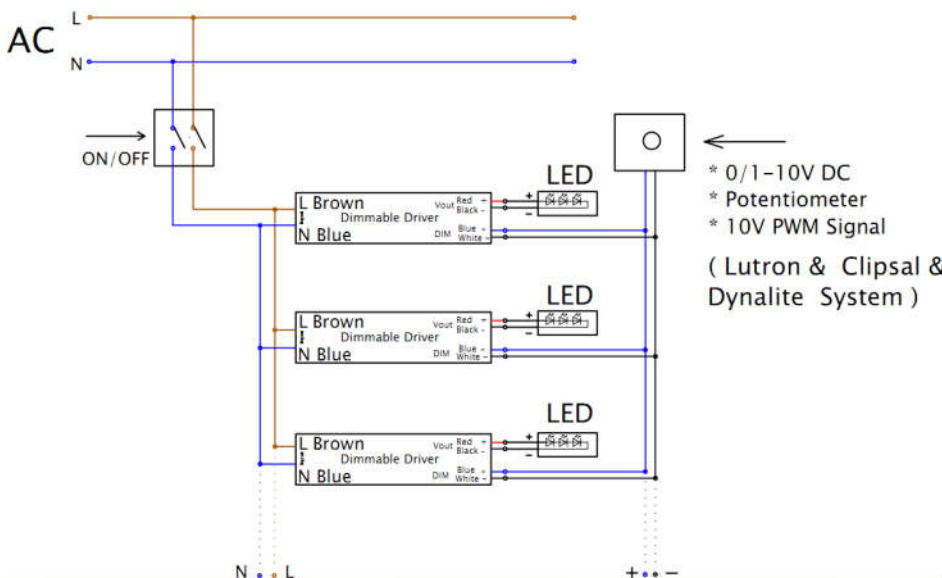
※ Please DO NOT connect "DIM-" to "LED-"

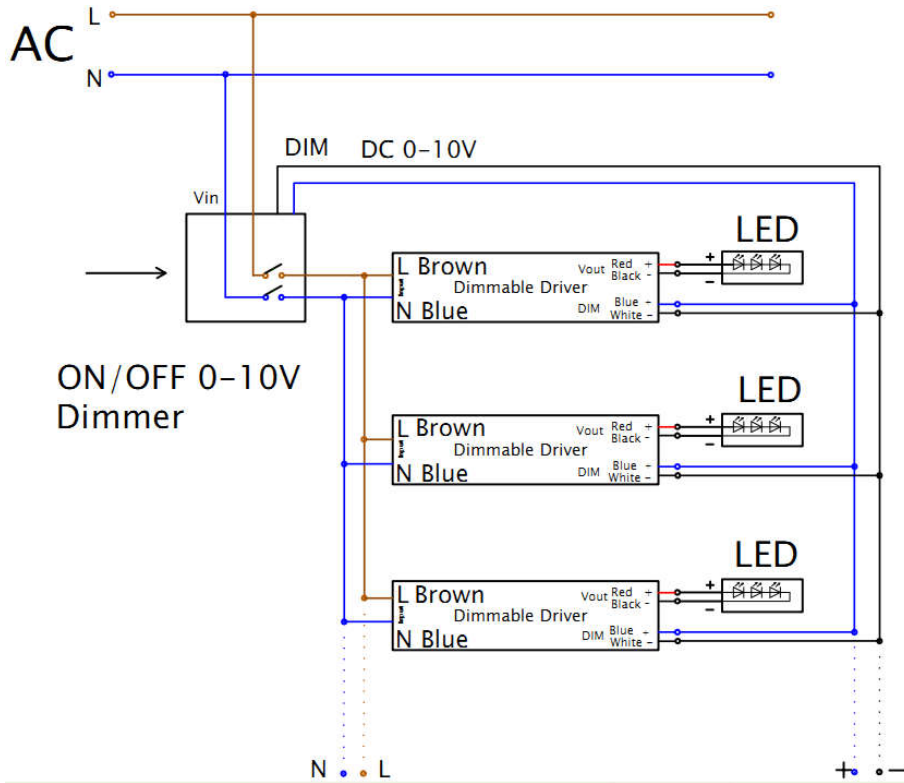
■ Derating Curve



※ To extend their life ,please refer to the Derating Curve and derate according to the temperature

■ Connect Drawing





■Instruction:

- 1) This driver should be installed by qualified and professional person;
- 2) Please make sure the transformer is installed with adequate ventilation around it to allow for heat dissipation.
- 3) Ensure that wiring is correct before test in order to avoid light and power supply damage;
- 4) If driver cannot work normally, don't maintain privately; Have any question, please contact Shengchang.

Any other question please feel free to contact ZHUHAI SHENGCHANG ELETRONICS CO