

DALI Dimmable driver - constant Current Series 100W



■ Features:

- Output constant Current
- Range 100-265VAC
- Built-in active PFC function
- Efficiency up to 87%
- Protections:short circuit/over load/over temperature
- Cooling by free air convection
- IP66 design for indoor and outdoor installation.
- Dimming function: Built in DALI interface dimming function conform to DALI Protocol IEC62386
- Dimming range from 1% to 100%
- Suitable for intelligent LED lighting
- Compliance to worldwide safety regulations for lighting
- Suitable for dry and wet locations

CE    IP66 SELV

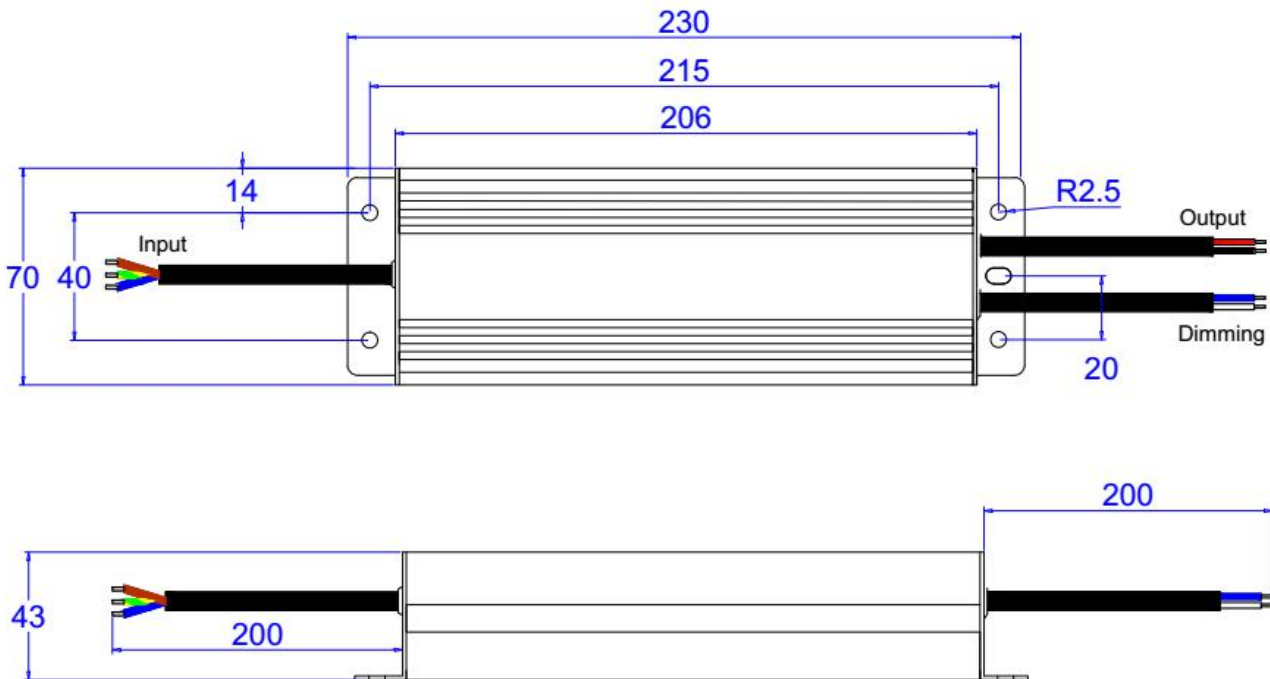
■Specification

	Model	KI-701400-DA	KI-601750-DA	KI-482100-DA	KI-402500-DA	KI-363000-DA
<b>Output</b>	Rated Current	1400mA	1750mA	2100mA	2500mA	3000mA
	Current Tolerance	±5%				
	DC Voltage	49-70V	42-60V	33-48V	28-40V	25-36V
	Open Circuit Voltage (Max.)	75V	65V	55V	45V	40V
	Rated Power	98W	105W	100.8W	100W	108W
<b>Input</b>	Voltage Range	100-265VAC				
	Frequency Range	47~63HZ				
	Power Factor	PF≥0.98/120VAC PF≥0.98/230VAC PF≥0.95/265VAC (Full loading)				
	Full Load Efficiency (Typ.)	87%	87%	87%	87%	87%
	AC Current (Max.)	0.99A	1.06A	1.01A	1.01A	1.09A
	Leakage Current	<0.5mA				
<b>Protection</b>	Short Circuit	Protection type: Hiccup mode, recovers automatically after fault condition is removed				
	Over Load	≤ 120%				
	Protection Class:	I				
	Over Temperature	100°C±10°C shut down o/p voltage, re-power on to recover				
<b>Environment</b>	Working TEMP.	-40 - +60°C				
	Working Humidity	20 - 95%RH,non-condensing				
	Storage TEM.,Humidity	-40 - +80°C, 10 - 95%RH				
	TEMP.Coefficient	±0.03%/°C (0 - 50°C)				
	Vibration	10 - 500Hz, 5G 12min./1 cycle, period for 72min.each along X,Y,Z axes.				
<b>Safety &amp; EMC</b>	Safety Standards	EN61347-1 EN61347-2-13 IP66				
	Withstand Voltage	I/P-O/P:3.75KVAC I/P-FG:1.88KVAC O/P-FG:0.5KVAC				
	Isolation Resistance	I/P-O/P I/P-FG O/P-FG: 100MΩ/500VDC/25°C/70%RH				
	EMC Emission	EN55015,EN61000-3-2 (≥60%load)				
	EMC Immunity	EN61000-4-2,3,4,5,6 ,11,EN61547,A light industry level (surge4KV)				

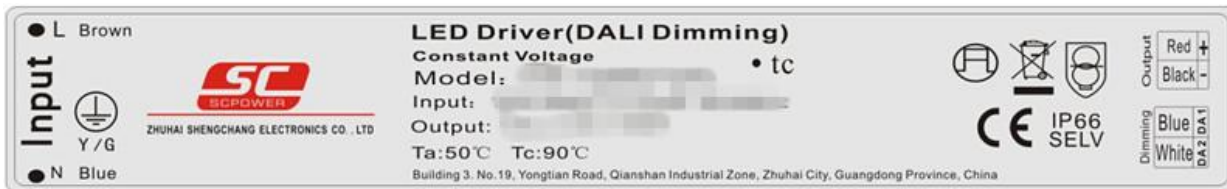
DALI Dimmable driver - constant Current Series 100W

<b>Others</b>	Weight	1.1Kg
	Dimension	230*70*43mm (L*W*H)
	Packing	340*275*170mm/10pcs/CTN
<b>Notes</b>	1. All parameters NOT specially mentioned are measured at 230VAC input , rated load and 25°C of ambient temperature. 2. Tolerance: includes set up tolerance, line regulation and load regulation . 3. The power supply is considered as a component that will be operated in combination with final Equipment. Since EMC performance will be affected by the complete installation, the final equipment manufactures must be-qualify EMC Directive on the complete installation again.	

■ Mechanical Specification



■ Label



※Input Rubber cable H05RN-F 3G 1.0mm<sup>2</sup>,the green/yellow cable connect with (FG) ,Brown with AC (L),Blue with AC(N)

※Signal Rubber cable H05RN-F 2\*0.75mm<sup>2</sup>,Blue and White is DA1, DA2 (No polar). Connected to the BUS of the DALI Master.

※Output rubber cable H05RN-F 2\*1.0mm<sup>2</sup>,Red is output ( V+) Positive,Black is output (V-) negative. Connected to LED Lamps.

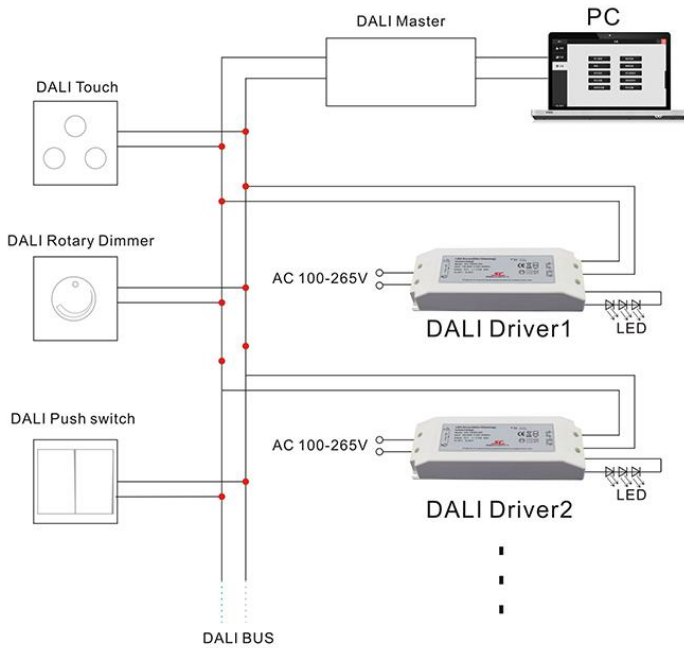
Please make sure you connect these correctly otherwise your product will not function correctly and could be damaged.

**DALI Dimmable driver - constant Current Series 100W**

※Note: Any other requests we can customized.

**■ Dimming Operation**

**Operation Reference No.1:**

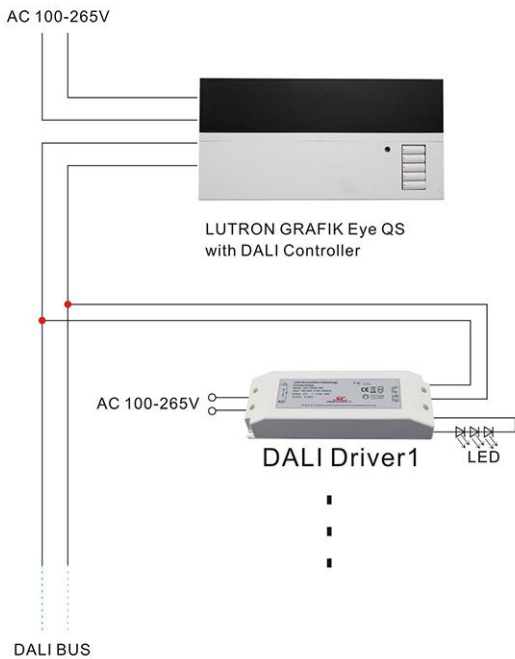


※Please refer to Diagram 1. Connect the Dali signal line to the Dali bus of the controller (the Dali Master). After Dali Master scanning and address assignment, the driver can be successfully dimmed.

※Notice:In the market, some DALI controllers has bus-powered functions .If not,please add an extra power supply.(DALI Power).

※Any incorrect connecting of signal line and output line would damage the master.

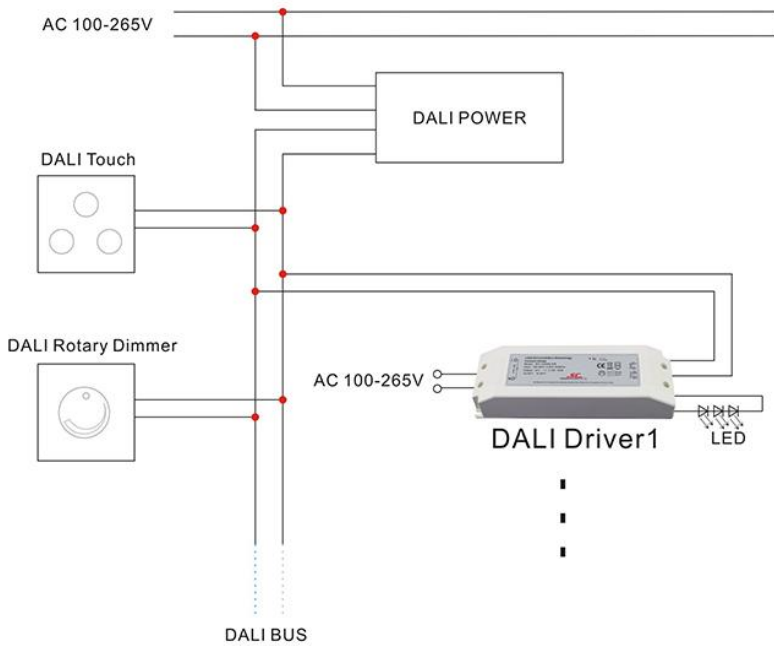
**Operation Reference No.2:**



**DALI Dimmable driver - constant Current Series 100W**

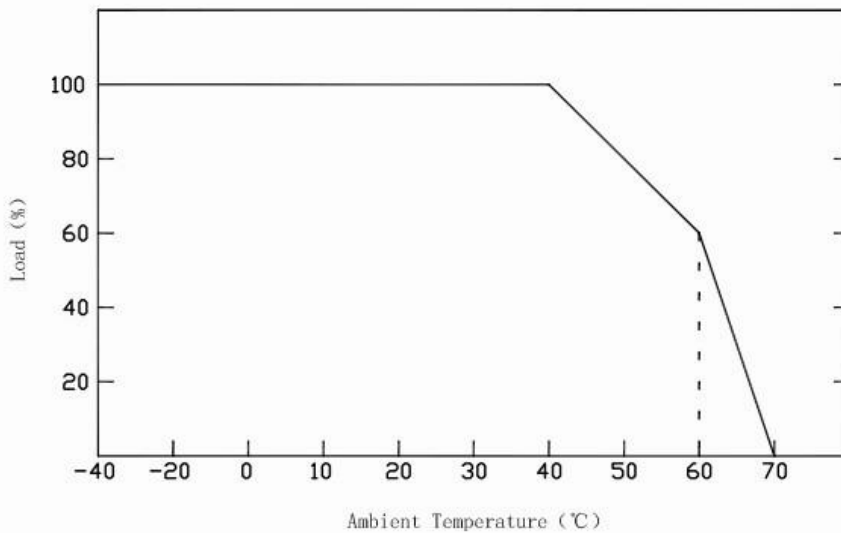
※Please refer to Diagram 2. Connect the Dali signal line to the Dali controller.

**Operation Reference No.3:**



※Please refer to Diagram 3 Connect the Dali signal line to the Dali dimmers.

**Derating Curve**



※To extend their life, please refer to the Derating Curve and derate according to the temperature.

**Instruction:**

- 1)This driver should be installed by qualified and professional person;
- 2)Please make sure the transformer is installed with adequate ventilation around it to allow for heat dissipation.
- 3)Ensure that wiring is correct before test in order to avoid light and power supply damage;



**DALI Dimmable driver - constant Current Series 100W**

4)If driver Cannot work normally, don't maintain privately; Have any question, please contact Shengchang.

Any other question please feel free to contact ZHUHAI SHENGCHANG ELECTRONICS CO.,LTD