

DALI immable driver ---Constant Voltage Series 10W



Features :

- Output constant voltage
- Range 100-265V AC
- Builtin active PFC function
- Efficiency 80%
- Protections: short circuit/over load/ over current
- Cooling by free air convection.
- IP20 design for indoor installation .
- Dimming function: Built in DALI interface dimming function conform to DALI Protocol IEC62386;
- Dimming range from 0.1% to 100%
- Suitable for intelligent LED lighting.
- Compliance to worldwide safety regulations for lighting.
- Suitable for dry locations.



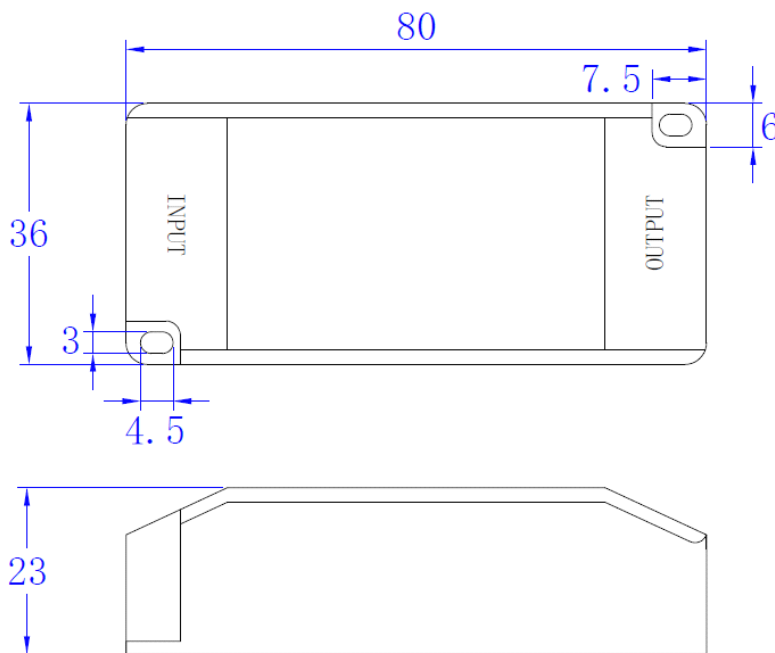
Specification

Model		KV-12010-DA	KV-24010-DA
Output	DC Voltage	12V	24V
	Voltage Tolerance	± 0.5V	
	Rated current	0-0.83A	0-0.41A
	Rated power	10W	10W
Input	Voltage Range	100-265V AC	
	Frequency Range	47-63HZ	
	Power Factor	PF≥0.65/120VAC PF≥0.65/230VAC PF≥0.65/265VAC(Full loading)	
	Full Load Efficiency(Typ.)	78%	80%
	AC Current(Max.)	0.3A	0.3A
	Leakage current	<0.5mA	
Protection	Short Circuit	Protection type: Hiccup mode, recovers automatically after fault condition is removed	
	Over Load	≤120%	
Environ-ment	Working TEMP.	40-+60 °C	
	Working Humidity	20-90%RH,non-condensing	
	Storage TEM.,Humidity	40-+80 °C , 10-95%RH	
	TEMP. coefficient	±0.03%/°C (0-50 °C)	

DALI immable driver ---Constant Voltage Series 10W

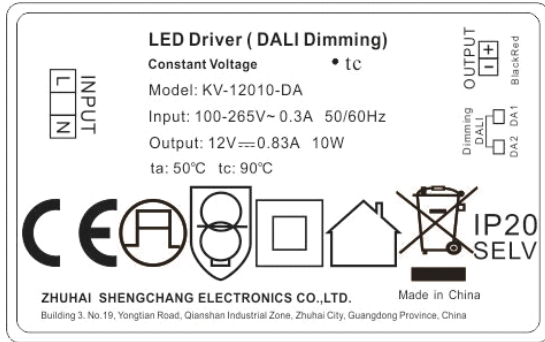
	Vibration	10-500Hz,2G 10min./1 cycle,period for 60min. each along X,Y,Z axes
Safety & EMC	Safety standards	EN613471 EN61347-2-13
	Withstand voltage	I/PO/P:3.75KVAC
	Isolation resistance	I/PO/P:100MΩ/500VDC/25°C/70%RH
	EMC EMISSION	EN55015,EN6100032,3 (≥50% load)
	EMC IMMUNITY	EN6100042,3,4,5,6,11
Others	Weight	0.11Kg
	Size	80*36*23mm(L*W*H)
	packing	430*250*1170mm / 100pcs / CTN
Notes	<p>1. All parameters NOT specially mentioned are measured at 230VAC input , rated load and 25°C of ambient temperature.</p> <p>2.Tolerance:includes set us tolerance, line regulation and load regulation .</p> <p>3.The power supply is considered as a component that will be operated in combination with final Equipment. Since EMC performance will be affected by the complete installation, the final equipment manufactures must be qualify EMC Directive on the complete installation again</p>	

■ **Mechanical Specification**



DALI immable driver ---Constant Voltage Series 10W

■ **Label**



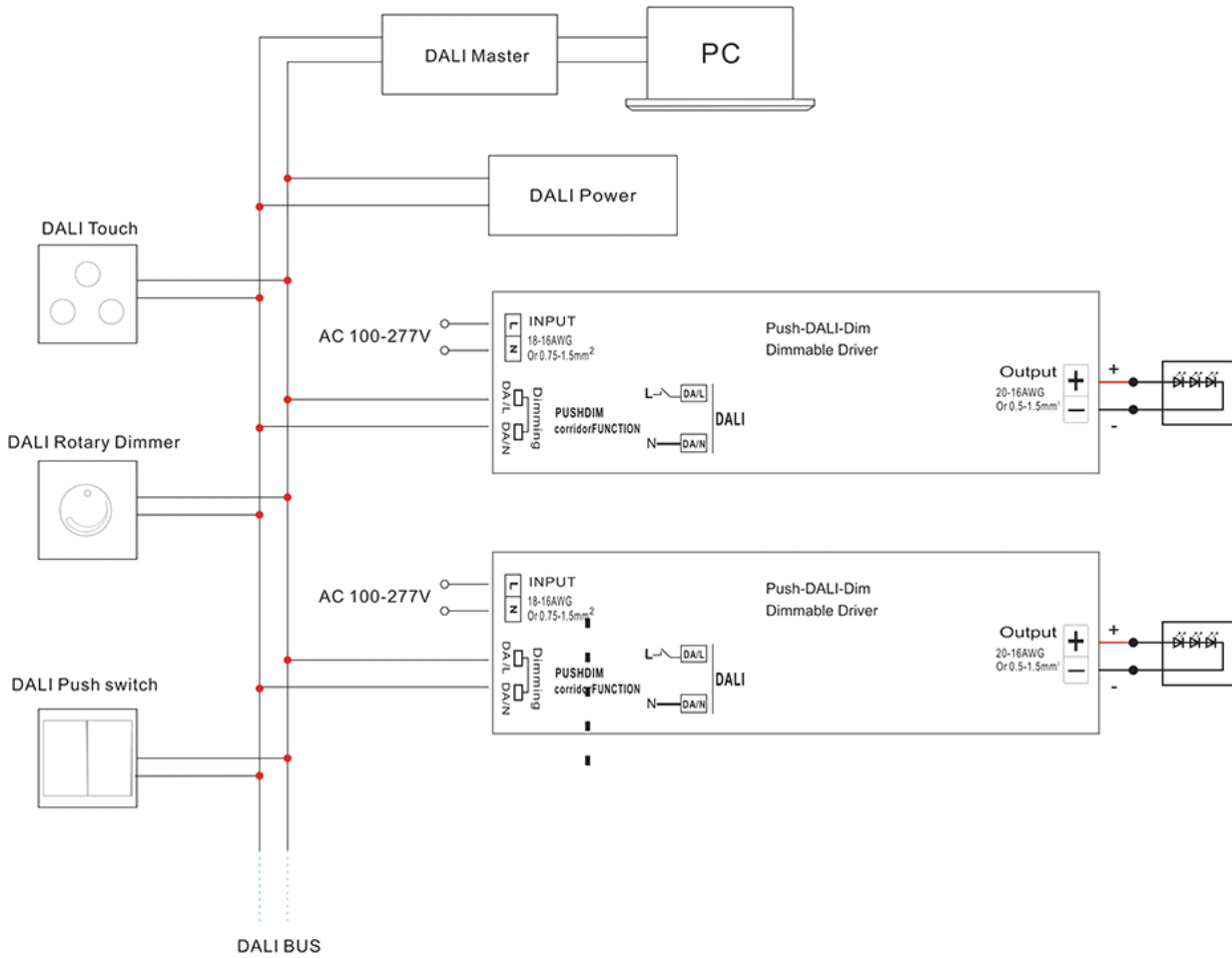
- ※ Input with Live Wire(L) brown cable and Neutral Wire (N) blue cable;
- ※ Output with V+ red cable and V- black cable .Connected to LED Lamps.
- ※ Signal Dimming DA1, DA2 (No polar) connected to the BUS of the DALI Master.
- ※ Please make sure you connect these correctly otherwise your product will not function correctly and could be damaged.
- ※ standard is 18W AWG cable; other cable is customized.

■ **Dimming Operation**

- ※ Installing with DALI System or DALI dimmer:
 Signal Dimming (DA1) (DA2) ,DALI Non polar! Connected to the BUS of the DALI Master.
 Please refer writing diagrams to Operation Reference NO.1,NO.2 and NO.3 on below.

■ **DALI Operation Reference No.1:**

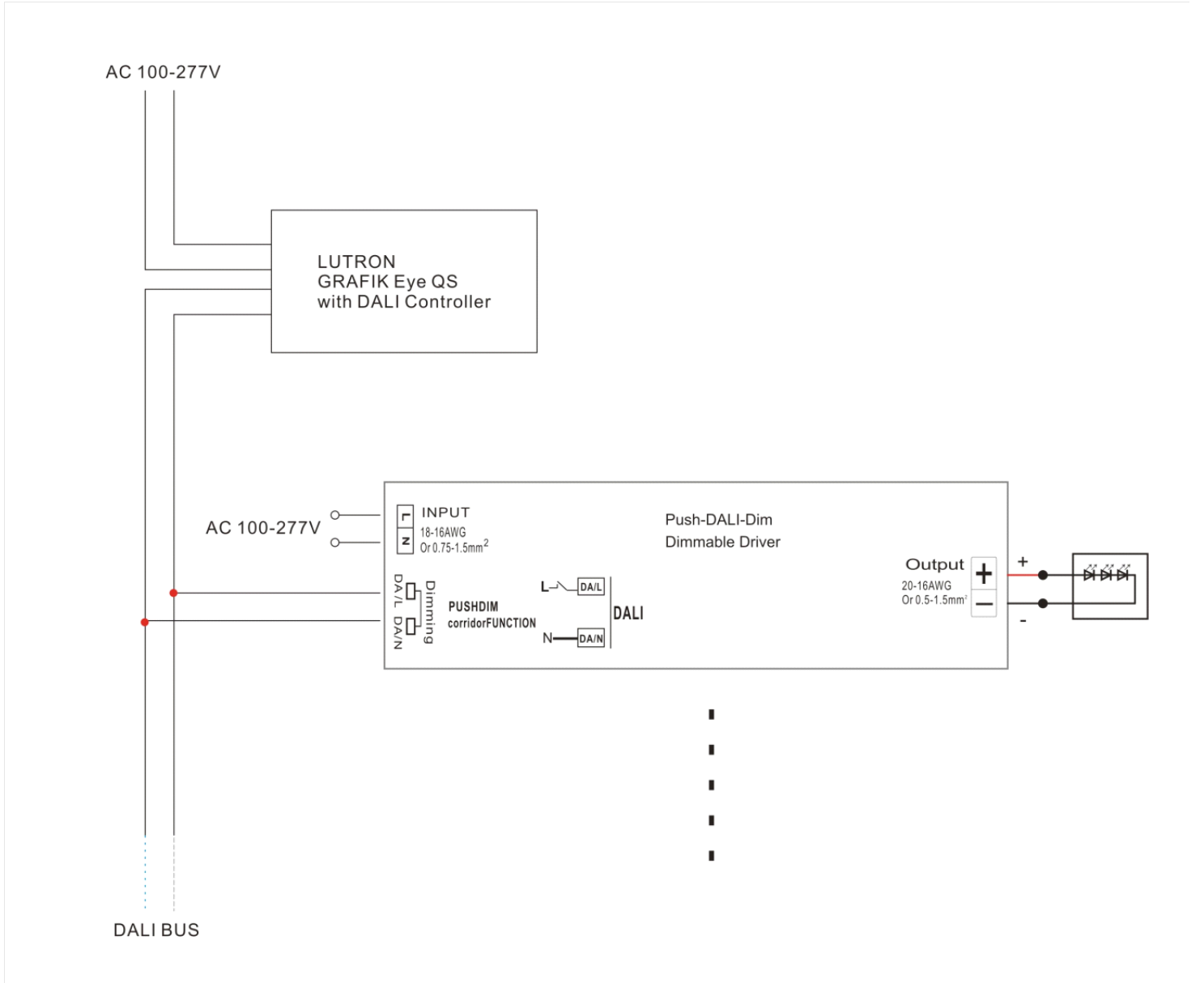
DALI immable driver ---Constant Voltage Series 10W



Notice: In the market, some DALI controllers have bus-powered functions. If yes, please do not connect an extra power supply (DALI Power) to DALI Bus.

DALI immable driver ---Constant Voltage Series 10W

DALI Operation Reference No.3:

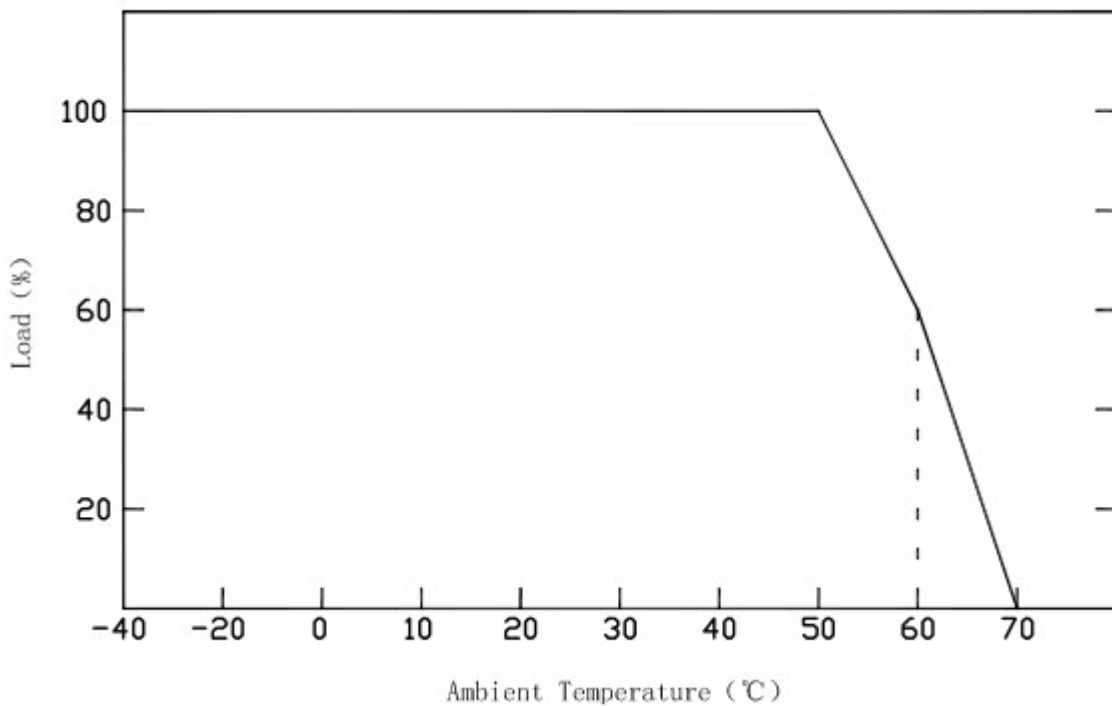




DALI immable driver ---Constant Voltage Series 10W

■ **Derating Curve**

DALI immable driver ---Constant Voltage Series 10W



※To extend drivers' life, please refer to the Derating Curve and derate according to the temperature.

■ **Instruction:**

- 1.This driver should be installed by a professional;
- 2.Please make sure the driver is installed in ventilation environment to allow for heat dissipation.
- 3.Ensure that wiring correct before test in order to avoiding light and power supply damage;
- 4.If driver cannot work normally, do not maintain without authorization; Have any questions, please contact Shengchang.



DALI immable driver ---Constant Voltage Series 10W
