

DALI & Push Dimmable driver - constant voltage 75W

Whole Family
 KV-XXXX-DP 12V 24V DC
 25W 50W 75W 80W 100W 120W
 150W 200W 300W 320W 360W



■ Features:

- Output constant Voltage
- Range: 100-265VAC
- Built-in active PFC function
- Efficiency up to 86%
- Protections: short circuit/over load/ over temperature
- Cooling by free air convection
- IP20 for indoor
- Dimming function: Built in DALI interface dimming function conform to DALI Protocol IEC62386
- Push dimming function
- Dimming range: 0-100%, LED start at 0.1% possible
- Suitable for intelligent LED lighting

CE IP20 SELV

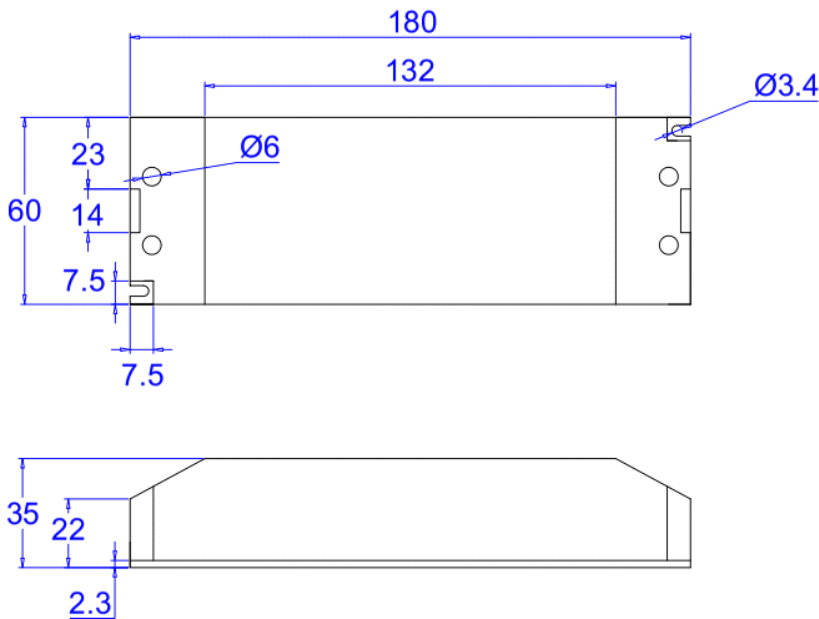
■ Specification

Model		KV-12075-DP	KV-24075-DP
Output	DC Voltage	12V	24V
	Voltage Tolerance	±0.5V	
	Voltage Regulation	±0.5%	
	Rated current	6.25A	3.12A
	Rated power	75W	
	Load Regulation	±2%	
Input	Voltage Range	100-265VAC	
	Frequency Range	47 - 63Hz	
	Power Factor (Typ.) @ full load	PF≥0.99@120VAC PF≥0.95@230VAC (Full loading)	
	THD (Typ.) @ full load	<20%	
	Efficiency (Typ.) @ full load	86%	86%
	AC Current (Max.)	0.88A	
	Inrush Current (Typ.)	13.6/120VAC 56A/230VAC	
	Leakage current	<0.5mA	
Protection	Short Circuit	constant voltage mode, recover automatically after fault condition is removed	
	Over Load	≤120% constant voltage limiting, recover automatically after fault condition is removed	
	Over temperature	100°C±10°C Shut down o/p voltage, recovers automatically after temperature goes down	
	Protection Class	II	
Environment	Working TEMP.	-40~+60°C (see below derating curve)	
	Working Humidity	20 - 95%RH,non-condensing	
	Storage TEM.,Humidity	-40 - +80°C, 10 - 95%RH	
	TEMP.coefficient	±0.03%/°C (0 - 50°C)	
	Vibration	10~500Hz, 2G 10min./1 cycle,period for 60min. each along X,Y,Z axes	
Safety & EMC	Safety standards	EN61347-1 EN61347-2-13 IP66	
	Withstand voltage	I/P-O/P:3.75KVAC	
	Isolation resistance	I/P-O/P I/P-FG O/P-FG: 100MΩ/500VDC/25°C/70%RH	
	EMC Emission	EN55015 EN61000-3-2 ,EN61000-3-3	

DALI & Push Dimmable driver - constant voltage 75W

	EMC Immunity	EN61000-4-2,3,4,5,6 , 11, EN61547
Others	Weight	0.5Kg
	Dimension	180*60*35mm (L*W*H)
	packing	355*215*215mm/20pcs /CTN
Notes	1. All parameters NOT specially mentioned are measured at 230VAC input , rated load and 25°C of ambient temperature. 2. Tolerance: includes set up tolerance, line regulation and load regulation . 3. The power supply is considered as a component that will be operated in combination with final Equipment. Since EMC performance will be affected by the complete installation, the final equipment manufactures must be-qualify EMC Directive on the complete installation again.	

■ Mechanical Specification



LED Driver (DALI & PUSH Dimming 2 in 1)
Constant Voltage • tc
 Model: KV-12075-DP
 Input: 100-265V~ 0.92A 50/60Hz
 Output: 12V= 6.25A 75W
 ta: 50°C tc: 90°C
ZHUHAI SHENGCHANG ELECTRONICS CO.,LTD.
 Building 3, No.19, Yonglian Road, Qianshan Industrial Zone, Zuhai City, Guangdong Province, China

Input & Output wiring

- ※Input terminal with Live Wire(L) , Neutral Wire (N)
- ※Output LED SEC (LED+), output negative (LED). Connected to LED Lamps

Dimming wiring

- ※Dimming wires are installed for Dimming terminals (No polar) and are connected to the DALI BUS when use DALI function . wire (N) is connected to AC (N) while and wire (L) is connected to Push dim switch dimmer(L) when use Push function.
- ※Please make sure you connect these correctly otherwise your product will not function correctly and could be damaged.
- ※Note:

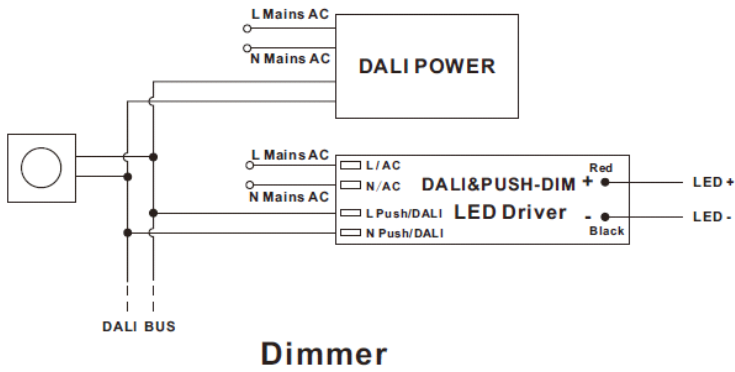
Any other requests we can customize.

Suggested wire diameter: primary: 0.5-2.5mm²; Secondary: 0.5-2.5mm²

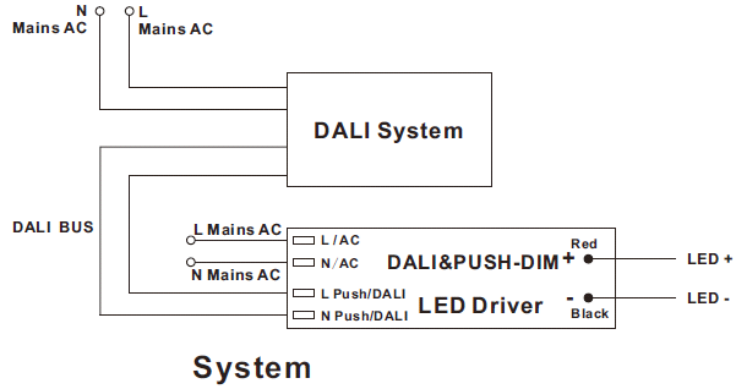
DALI & Push Dimmable driver - constant voltage 75W

■ Dimming Operation

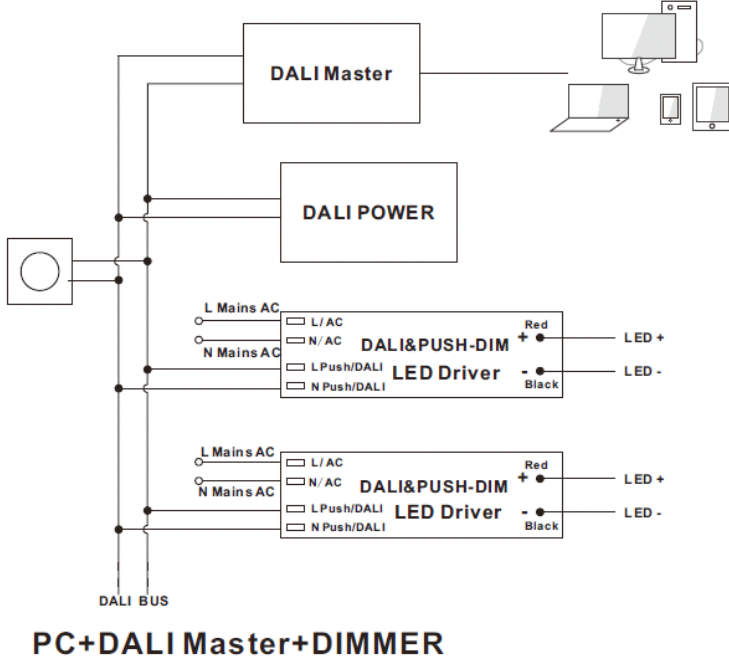
DALI Dimming Wiring Diagram1



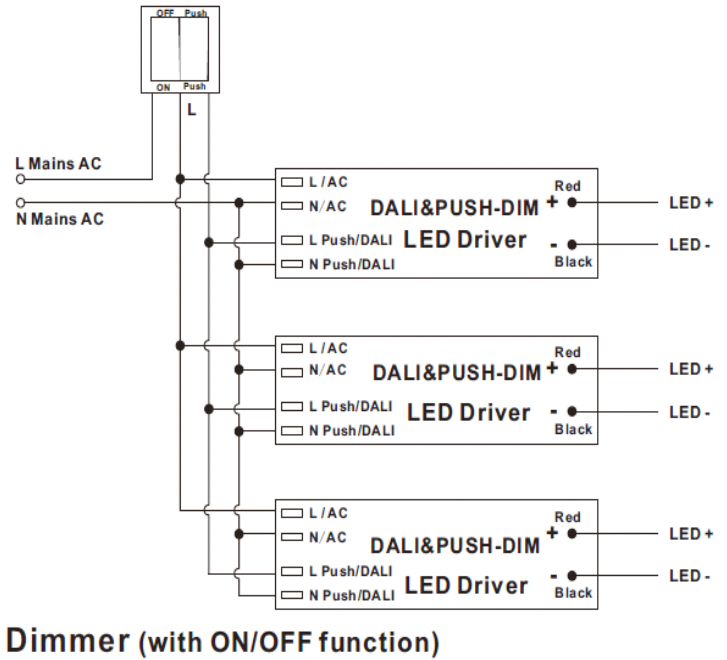
DALI Dimming Wiring Diagram2



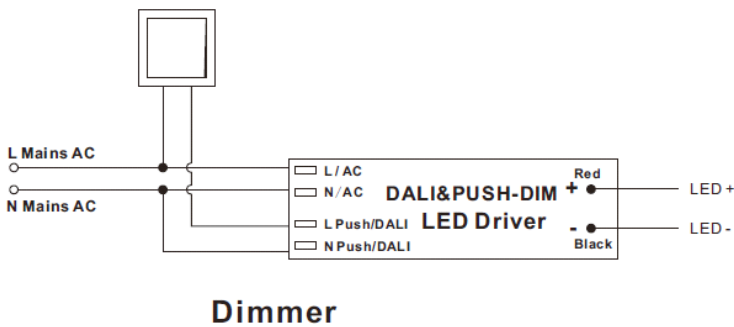
DALI Dimming Wiring Diagram3



Push-Dimming Wiring Diagram1

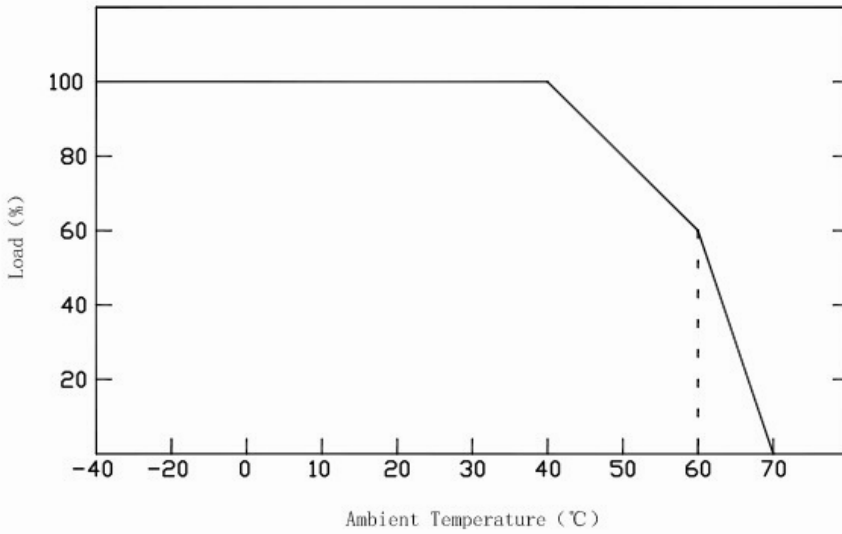


Push-Dimming Wiring Diagram2



※Note: For DALI Dimming Wiring Diagram 3, please noted that only one DALI power is need in the DALI bus, so no extra DALI power is needed if the Master or Dimmer already includes the DALI Power.

■ **Derating Curve**



※To extend their life, please refer to the Derating Curve and derate according to the temperature.

■ **Instruction:**

- 1)This driver should be installed by qualified and professional person;
- 2)Please make sure the driver is installed with adequate ventilation around it to allow for heat dissipation.
- 3)Ensure that wiring is correct before test in order to avoid light and power supply damage;
- 4)If driver Cannot work normally, don't maintain privately; Have any question, please contact Zhuhai Shengchang.

Please visit our website or contact us for more information! www.scpower.net.cn