

DALI & Push Dimmable driver - constant voltage 50W

Whole Family
 KV-XXXX-DP 12V 24V DC
 25W 50W 75W 80W 100W 120W
 150W 200W 300W 320W 360W



■ Features:

- Output constant Voltage
- Range: 100-265VAC
- Built-in active PFC function
- Efficiency up to 84%
- Protections: short circuit/over load/ over temperature
- Cooling by free air convection
- IP20 for indoor
- Dimming function: Built in DALI interface dimming function conform to DALI Protocol IEC62386
- Push dimming function
- Dimming range: 0-100%, LED start at 0.1% possible
- Suitable for intelligent LED lighting

CE IP20 SELV

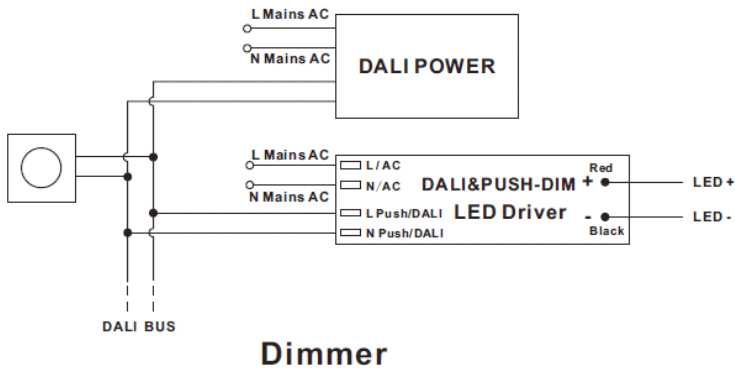
■ Specification

| Model | | KV-12050-DP | KV-24050-DP |
|-------------------------|---------------------------------|---|-------------|
| Output | DC Voltage | 12V | 24V |
| | Voltage Tolerance | ±0.5V | |
| | Voltage Regulation | ±0.5% | |
| | Rated current | 4.16A | 2.08A |
| | Rated power | 50W | |
| | Load Regulation | ±2% | |
| Input | Voltage Range | 100-265VAC | |
| | Frequency Range | 47 - 63Hz | |
| | Power Factor (Typ.) @ full load | PF≥0.99@120VAC PF≥0.95@230VAC (Full loading) | |
| | THD (Typ.) @ full load | <20% | |
| | Efficiency (Typ.) @ full load | 81% | 84% |
| | AC Current (Max.) | 0.64A | |
| | Inrush Current (Typ.) | 2.16A/120VAC 13A/230VAC | |
| | Leakage current | <0.5mA | |
| Protection | Short Circuit | constant current mode, recover automatically after fault condition is removed | |
| | Over Load | ≤120% constant current limiting, recover automatically after fault condition is removed | |
| | Over temperature | 100°C±10°C Shut down o/p voltage, recovers automatically after temperature goes down | |
| | Protection Class | II | |
| Environment | Working TEMP. | -40~+60°C (see below derating curve) | |
| | Working Humidity | 20 - 95%RH,non-condensing | |
| | Storage TEM.,Humidity | -40 - +80°C, 10 - 95%RH | |
| | TEMP.coefficient | ±0.03%/°C (0 - 50°C) | |
| | Vibration | 10~500Hz, 2G 10min./1 cycle,period for 60min. each along X,Y,Z axes | |
| Safety & EMC | Safety standards | EN61347-1 EN61347-2-13 IP66 | |
| | Withstand voltage | I/P-O/P:3.75KVAC | |
| | Isolation resistance | I/P-O/P I/P-FG O/P-FG: 100MΩ/500VDC/25°C/70%RH | |
| | EMC Emission | EN55015:2013 EN61000-3-2 ,EN61000-3-3 | |

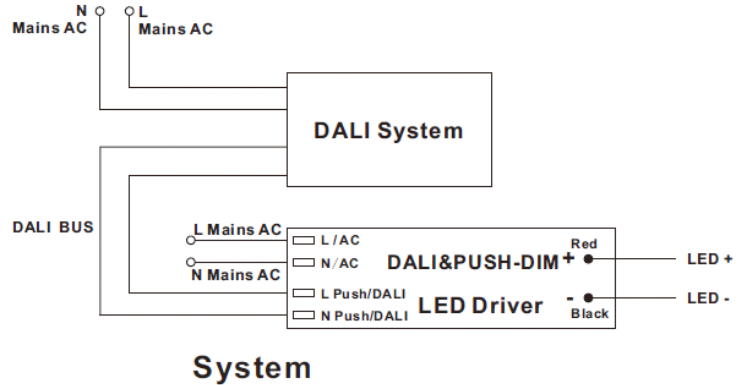
DALI & Push Dimmable driver - constant voltage 50W

■ Dimming Operation

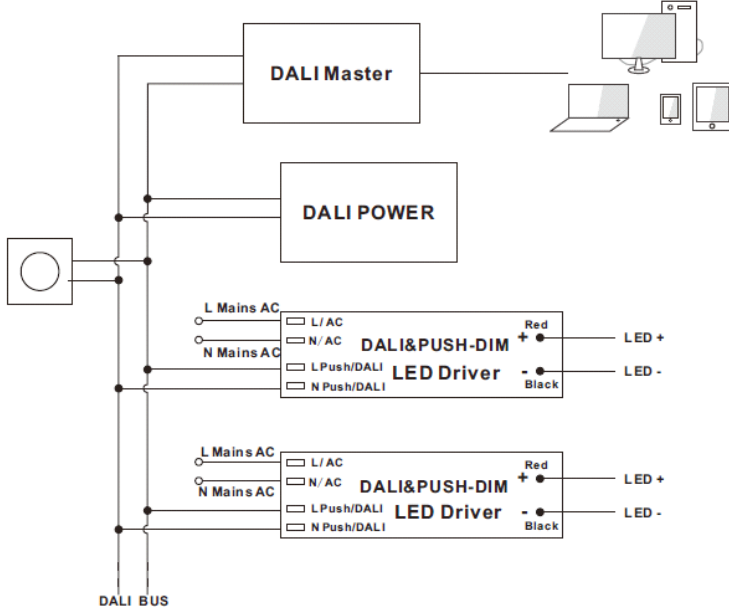
DALI Dimming Wiring Diagram1



DALI Dimming Wiring Diagram2

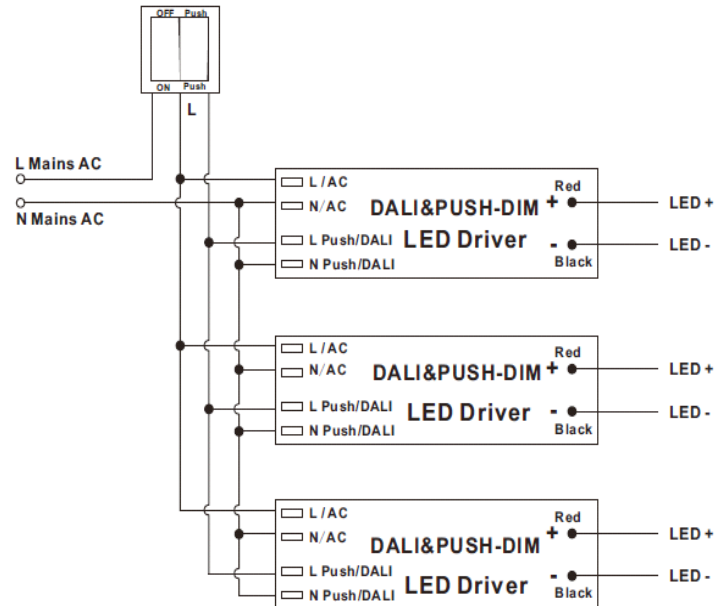


DALI Dimming Wiring Diagram3



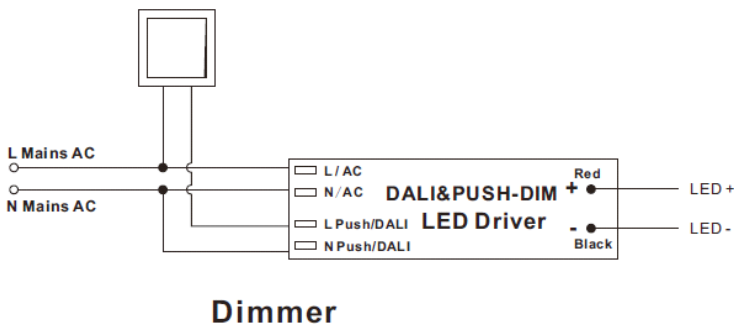
PC+DALI Master+DIMMER

Push-Dimming Wiring Diagram1



Dimmer (with ON/OFF function)

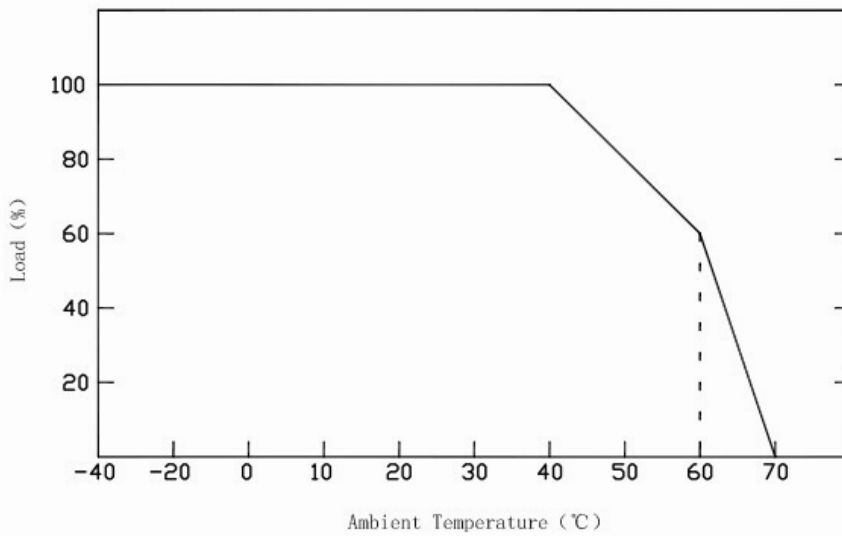
Push-Dimming Wiring Diagram2



Dimmer

※Note: For DALI Dimming Wiring Diagram 3, please noted that only one DALI power is need in the DALI bus, so no extra DALI power is needed if the Master or Dimmer already includes the DALI Power.

■ Derating Curve



※To extend their life, please refer to the Derating Curve and derate according to the temperature.

■ Instruction:

- 1)This driver should be installed by qualified and professional person;
- 2)Please make sure the driver is installed with adequate ventilation around it to allow for heat dissipation.
- 3)Ensure that wiring is correct before test in order to avoid light and power supply damage;
- 4)If driver Cannot work normally, don't maintain privately; Have any question, please contact Zhuhai Shengchang.

Please visit our website or contact us for more information! www.scpower.net.cn