

# Triac dimmable driver---Constant Voltage PWM output series 15W

## ■ Features



- Output constant voltage
- Range AC input:180-240VAC
- Efficiency :up to 80%
- Protections:short circuit/over loading/over current /over temperature
- Full protection plastic housing easy installation
- IP20 design for indoor installation
- Cooling by free air convection
- Work with leading edge triac dimmer  
Strong compatibility, flicker-free dimming
- Suitable for LED lighting and moving sign applications

## ■ Specification

CE IP20 SELV

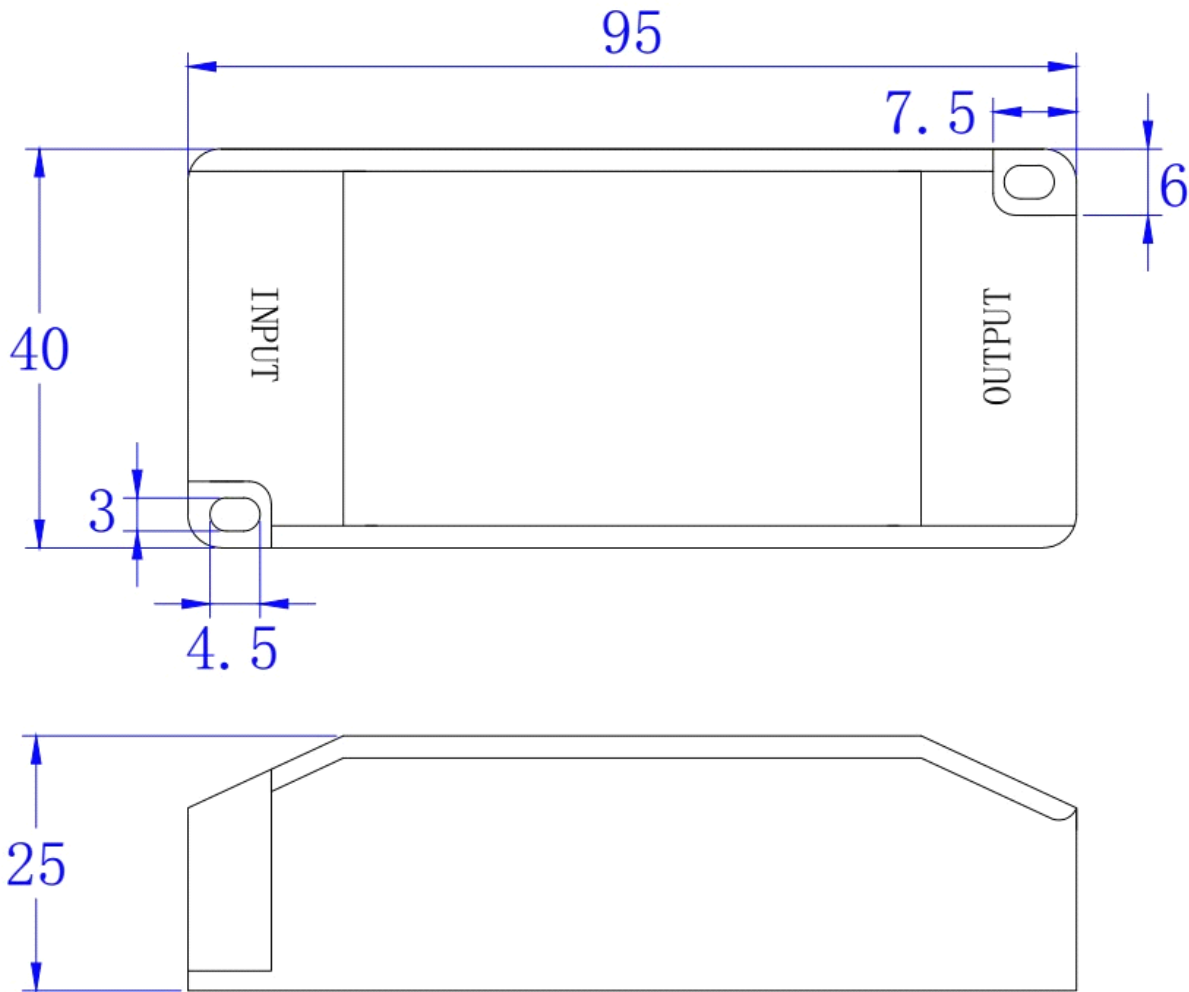
Model		KVP-12015-TD	KVP-24015-TD
output	DC Voltage	12V	24V
	Voltage Tolerance	±0.5V	
	Rated current	1.25A	0.62A
	Rated power	15W	
input	Voltage Range	180-240VAC	
	Frequency Range	47-63HZ	
	Power Factor	PF≥0.65/180VAC PF≥0.65/230VAC PF≥0.65/240VAC(Full loading)	
	Full Load Efficiency(Typ.)	78%	80%
	AC Current (Max.)	0.17A	0.17A
	Leakage current	<0.50mA	
Protection	Short Circuit	Hiccup mode,recovers automatically after fault condition is removed	
	Over Loading	≤120%	
	Over Current	≤1.2 *I out	
	Over Temperature	100°C± 10°C shut down o/p voltage ,re-power on to recover	
Environ-ment	Working TEMP.	-40-+70°C	
	Working Humidity	20-90%RH, non-condensing	
	Storage TEM.,Humidity	-40-+80°C, 10-95%RH	
	TEMP.coefficient	±0.03%/°C(0-50°C)	
	Vibration	10-500Hz,2G 10min./1 cycle,period for 72min,each along X,Y,Z axes.	
Safety &EMC	Safety standards	EN61347-1 EN61347-2-13	
	Withstand voltage	I/P-O/P:3.75KVAC	
	Isolation resistance	I/P-O/P :100MΩ/500VDC/25°C/70%RH	
	EMC EMISSION	EN55015,EN61000-3-2,3 (≥60%loading)	
Others	Net.Weight	0.2KG	
	Size	95*40*25mmL*W*H)	
	packing	105*43*30mm inner box 370*230*160mm /100 PCS /CTN	
Notes	1. All parameters NOT specially mentioned are measured at 230VAC input , rated load and 25°C		

## Triac dimmable driver---Constant Voltage PWM output series 15W

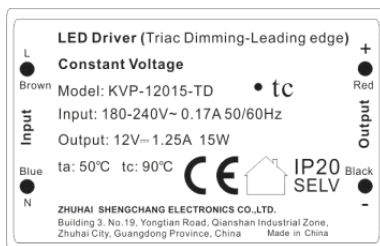
of ambient temperature.

2. Tolerance: includes set us tolerance, line regulation and load regulation .
3. The power supply is considered as a component that will be operated in combination with final Equipment. Since EMC performance will be affected by the complete installation, the final equipment manufactures must be-qualify EMC Directive on the complete installation again
4. Loading range from 5% to 100%

### ■ Mechanical Specification



### ■ Label



※Input Brown with AC (L),Blue with AC(N)

※Output Red is output(V+) Positive,Black is output (V-) negative.Connected to LED Lamps.

※Please make sure you connect these correctly otherwise your product will not function correctly and could be damaged.

# Triac dimmable driver---Constant Voltage PWM output series 15W

※Note: Any other requests we can customized.

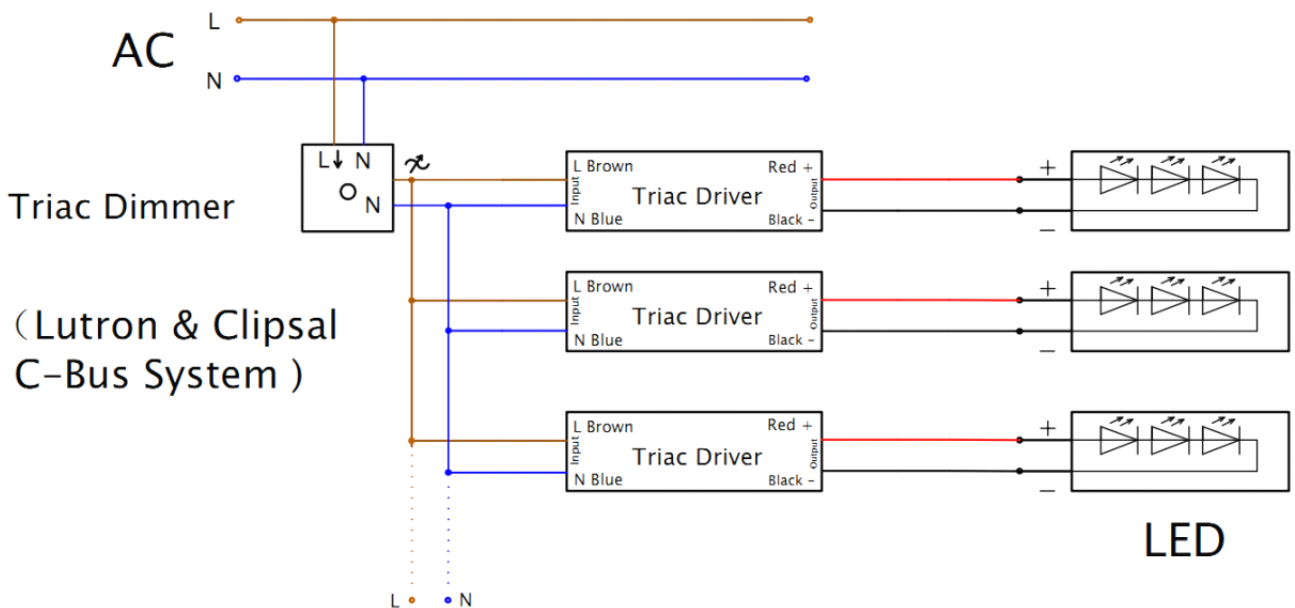
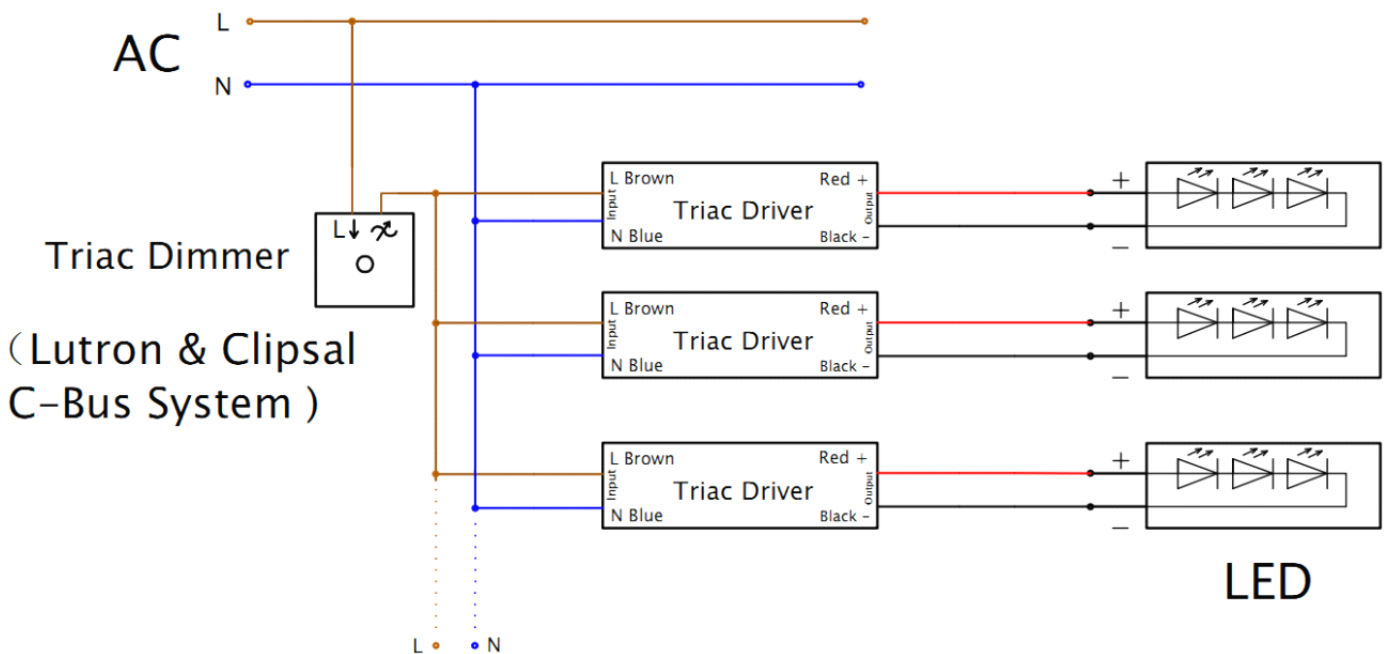
## ■Dimming Operation

※the Pulse-Width Modulation (PWM) of output voltage can be adjusted through input terminal of the AC phase line(L) by connection a triac dimmer.

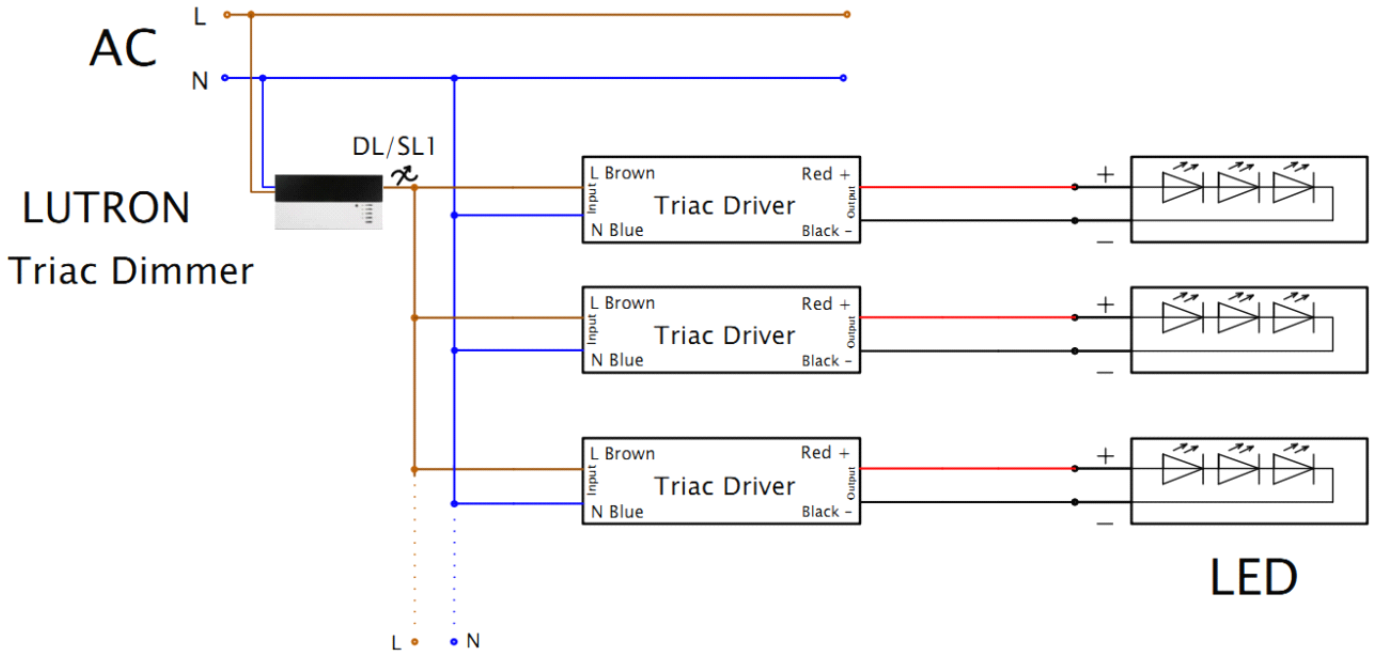
※Usually matching with leading edge Triac Dimmers

※please try to use dimmers with power at least 3 times as the output power of the driver.

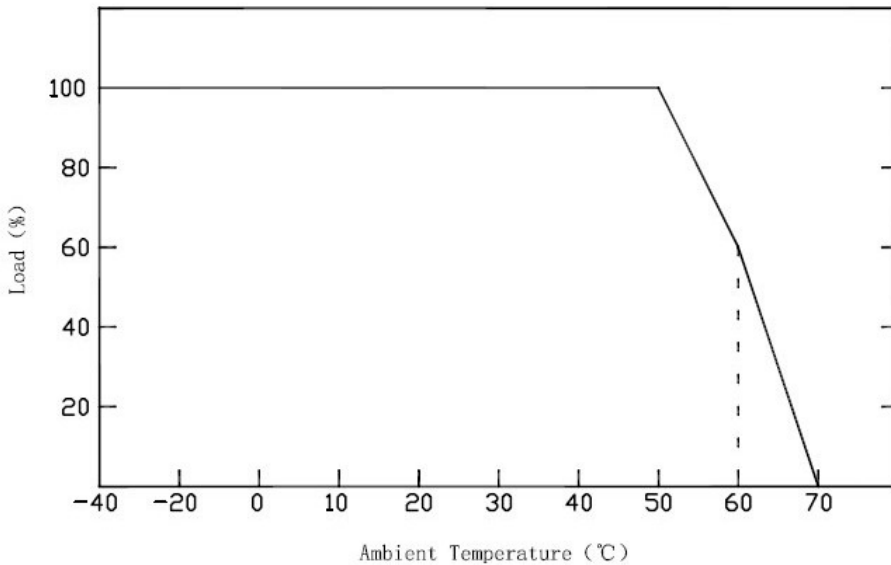
## ■ Connecting Diagram



# Triac dimmable driver---Constant Voltage PWM output series 15W



## Derating Curve



※To extend their life, please refer to the Derating Curve and derate according to the temperature.

## Instruction

- 1) This driver should be installed by qualified and professional person;
- 2) Please make sure the transformer is installed with adequate ventilation around it allow for heat dissipation.
- 3) Ensure that wiring is correct before test in order to avoid light and power supply damage;
- 4) If driver cannot work normally, don't maintain privately;have any question,please contact Shengchang.

Any other question please feel free to contact with ZHUHAI SHENGCHANG ELECTRONICS CO.,LTD.