

Triac dimmable driver---Constant Voltage PWM output series 150W

■ Features



- Output constant voltage
- Range AC input:180-240VA
- Efficiency :up to 86%
- Protections:short circuit/over loading/over current /Over temperature
- Full protection aluminum housing easy installation IP66 design for outdoor installation
- Cooling by free air convection
- Work with leading edge ,or trailing edge Triac dimmer
- Strong compatibility, flicker-free dimming
- Suitable for LED lighting and moving sign applications

■ Specification

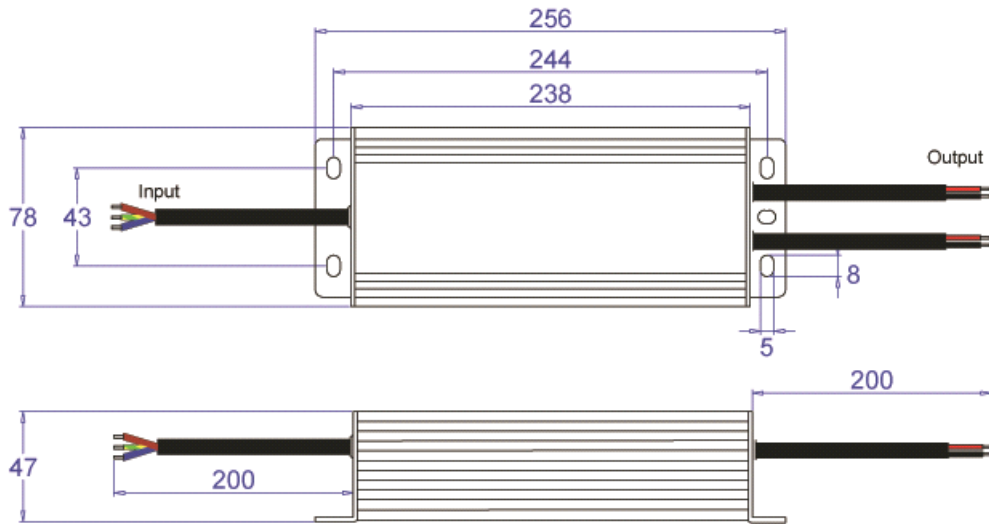
CE A U X IP66 SELV

Model		KVP-12150-TD	KVP-24150-TD
Output	DC Voltage	12V	24V
	Voltage Tolerance	±0.5V	
	Rated current	12.5A	6.25A
	Rated power	150W	
Input	Voltage Range	180-240V AC	
	Frequency Range	47-63HZ	
	Power Factor	PF≥0.65/180VAC PF≥0.65/230VAC PF≥0.65/240VAC(Full loading)	
	Full Load Efficiency(Typ.)	84%	86%
	AC Current (Max.)	1.55A	1.51A
	Leakage current	<0.50mA	
Protection	Short Circuit	Hiccup mode,recovers automatically after fault condition is removed	
	Over load	≤120%	
	Over Current	≤1.2*I out	
	Over Temperature	100°C±10°C shut down o/p voltage, re-power on to recover	
Environment	Working TEMP.	-40-+70°C	
	Working Humidity	20-95%RH,non-condensing	
	Storage TEM.,Humidity	-40-+80°C,10-95%RH	
	TEMP.coefficient	±0.03%/°C(0-50°C)	
	Vibration	10~500Hz 2G 10min./1 cycle,period for 60min.each along X,Y,Z axes	
Safety&EMC	Safety standards	EN61347-1 EN61347-2-13	
	Withstand voltage	I/P-O/P:3.75KVAC I/P-FG:1.88KVAC O/P-FG:0.5KVAC	
	Isolation resistance	I/P-O/P I/P-FG O/P-FG:100MΩ/500VDC/25°C/70%RH	
	EMC EMISSION	EN55015,EN61000-3-2,3 (≥60%loading)	
Others	Weight	1.5Kg	
	Size	256*78*47mm(L*W*H)	
	packing	265*83*65mm inner box 340*280*185mm outside carton10 PCS /CTN	
Notes	1. All parameters NOT specially mentioned are measured at 230VAC input , rated load and 25°C of ambient temperature.		

Triac dimmable driver---Constant Voltage PWM output series 150W

2. Tolerance: includes set us tolerance, line regulation and load regulation .
3. The power supply is considered as a component that will be operated in combination with final Equipment. Since EMC performance will be affected by the complete installation, the final equipment manufactures must be-qualify EMC Directive on the complete installation again
4. Loading range from 5% to 100%

■ Mechanical Specification



■ Label

<p>● L Brown</p> <p>Input</p> <p>Y/G</p> <p>● N Blue</p>	<p>LED Driver (Triac Dimming - Leading edge)</p> <p>Constant Voltage</p> <p>Model: KVP-12150-TD</p> <p>Input: 180-240V~ 1.55A 50/60Hz</p> <p>Output: 12V---12.5A 150W</p> <p>ta: 40°C tc: 70°C</p> <p>Made in China</p> <p>Building 3, No.19, Yongtian Road, Qianshan Industrial Zone, Zhuhai City, Guangdong Province, China</p>	<p>+ Red ●</p> <p>Output</p> <p>- Black ●</p>
<p>• tc</p> <p>CE A </p>		

※**Input Rubber cable:** H05RN-F 3G 1.0mm²,the green/yellow cable connect with (FG) ,Brown with AC (L),Blue with AC(N)

※**Output rubber cable** :1 group of H07RN-F 2*1.5mm² for KVP-24150-TD; 2 group of H07RN-F 2*1.5mm² for KVP-12150-TD, Red is output (V+) Positive,Black is output (V-) negative. Connected to LED Lamps.

※Please make sure you connect these correctly otherwise your product will not function correctly and could be damaged.

※Note: Any other requests we can customized.

■ Dimming Operation

※Output constant current level can be adjusted through input terminal of the AC phase line(L) by connection a triac dimmer.

※Usually matching with leading edge Triac Dimmers (In order to matching trailing edge dimmer can be customized.)

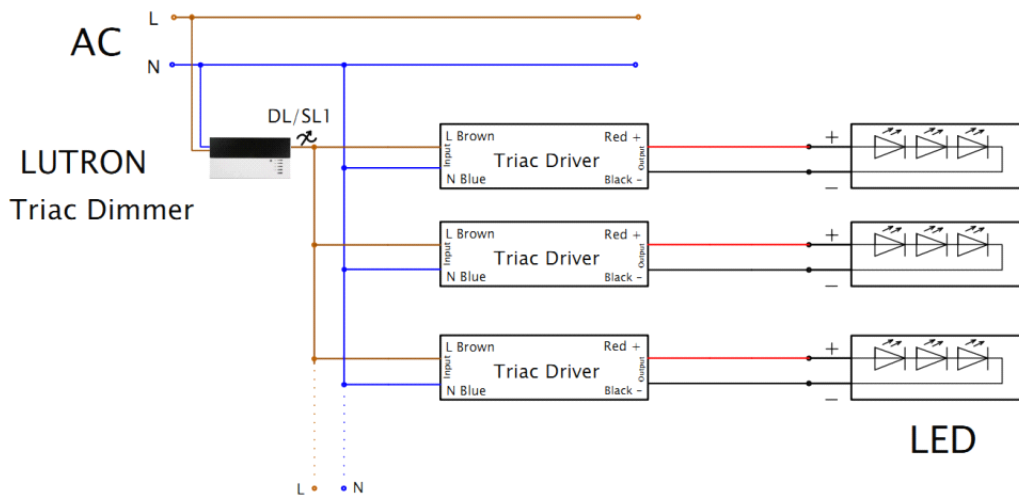
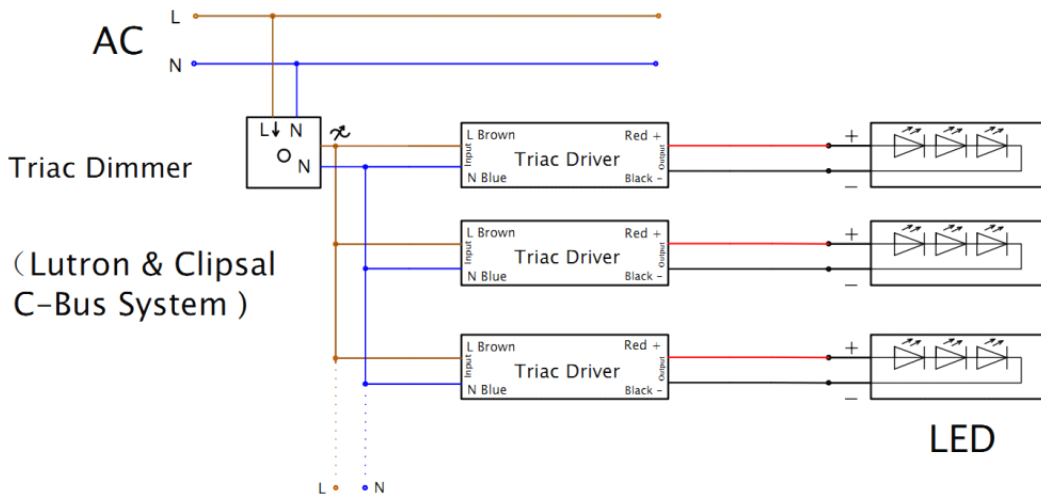
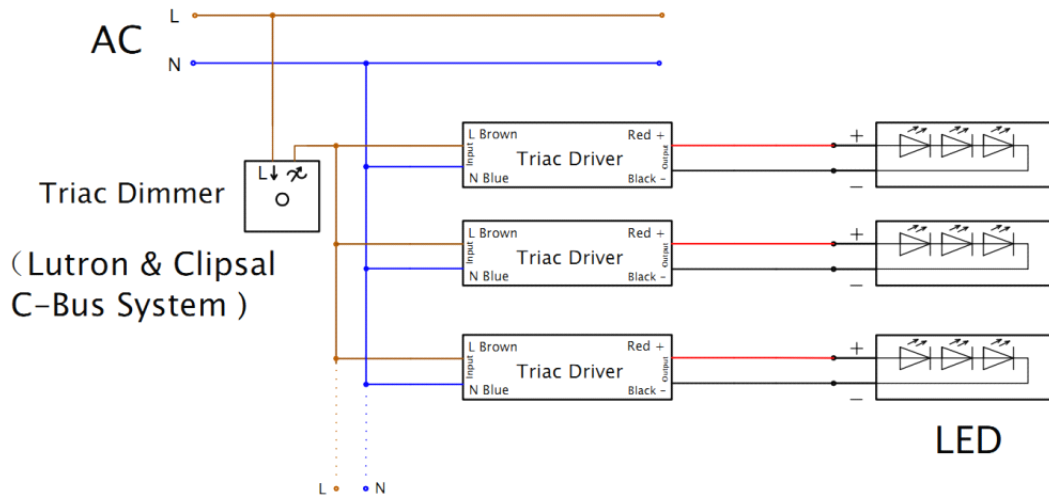
※please try to use the small power dimmer, have access to a wider dimming range, high-power dimmer is difficult to

Triac dimmable driver---Constant Voltage PWM output series 150W

achieve the output current to zero

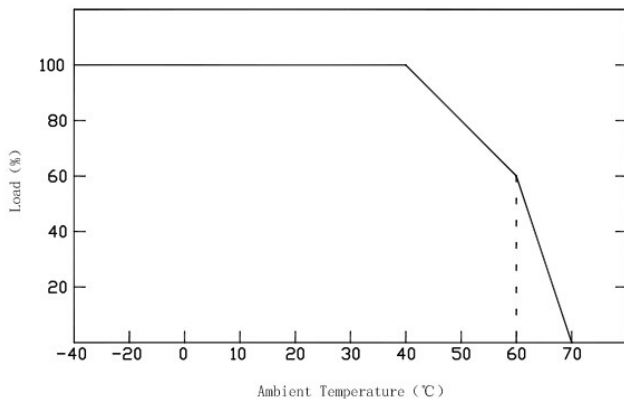
※please try to use dimmers with power at least 3 times as the output power of the driver.

■ Connecting Diagram



Triac dimmable driver---Constant Voltage PWM output series 150W

■Derating Curve



※To extend their life, please refer to the Derating Curve and derate according to the temperature.

■Instruction

- 1) This driver should be installed by qualified and professional person;
- 2) Please make sure the transformer is installed with adequate ventilation around it allow for heat dissipation.
- 3) Ensure that wiring is correct before test in order to avoid light and power supply damage;
- 4) If driver cannot work normally, don't maintain privately;have any question,please contact Shengchang.

Any other question please feel free to contact with ZHUHAI SHENGCHANG ELECTRONICS CO.,LTD.