

Triac dimmable driver---Constant Voltage PWM output series 75W

■Features

- Output constant voltage
- Range AC input:180-240VAC
- Efficiency :up to 88%
- Protections:short circuit/over loading/over current /Over temperature
- Full protection plastic housing easy installation
- IP20 design for indoor installation
- Cooling by free air convection
- Work with leading edge or trailing edge Triac dimmer
- Strong compatibility, flicker-free dimming
- Suitable for LED lighting and moving sign applications



CE IP20 SELV

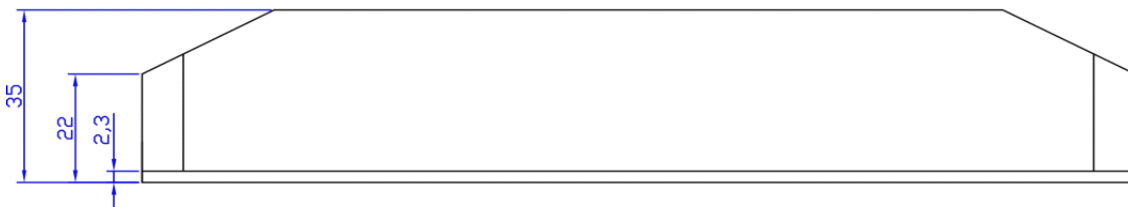
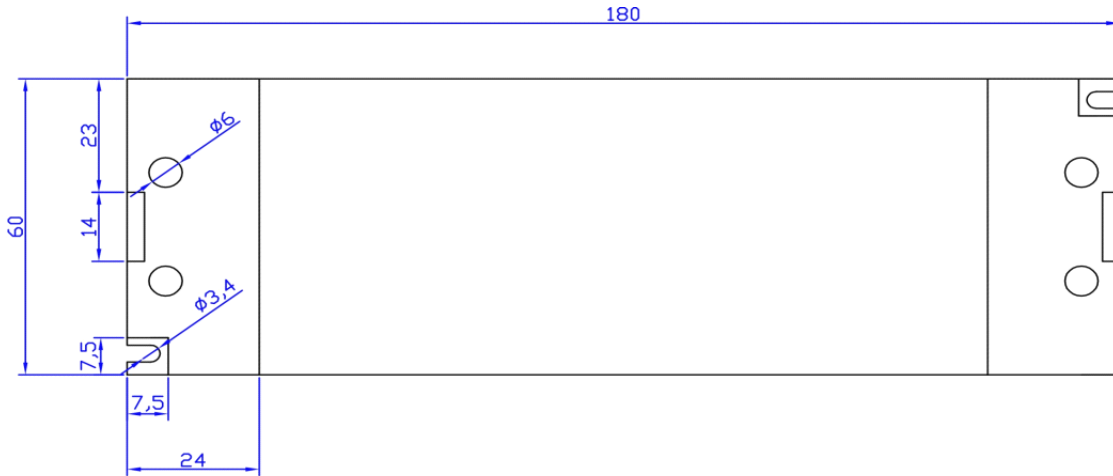
■ Specification

Model		KVP-12075-TD	KVP-24075-TD
Output	DC Voltage	12V	24V
	Voltage Tolerance	±0.5V	
	Rated current	6.25A	3.12A
	Rated power	75W	
Input	Voltage Range	180-240VAC	
	Frequency Range	47-63HZ	
	Power Factor	PF≥0.65/180VAC PF≥0.65/230VAC PF≥0.65/240VAC(Full loading)	
	Full Load Efficiency(Typ.)	85%	88%
	AC Current (Max.)	0.74A	0.74A
	Leakage current	<0.50mA	
Protection	Short Circuit	Hiccup mode, recovers automatically after fault condition is removed	
	Over Loading	≤120%	
	Over Current	≤ 1.2 *I out	
	Over Temperature	100℃± 10℃ shut down o/p voltage ,re-power on to recover	
Environment	Working TEMP.	-40-+70℃	
	Working Humidity	20-90%RH, non-condensing	
	Storage TEM.,Humidity	-40-+80℃,10-95%RH	
	TEMP.coefficient	±0.03%/℃(0-50℃)	
	Vibration	10-500Hz,2G 10min./1 cycle,period for 72min,each along X,Y,Z axes.	
Safety&EMC	Safety standards	EN61347-1 EN61347-2-13	
	Withstand voltage	I/P-O/P:3.75KVAC	
	Isolation resistance	I/P-O/P:100MΩ/500VDC/25℃/70%RH	
	EMC Emission	EN55015,EN61000-3-2,3 (≥60%loading)	
Others	Net.Weight	0.45KG	
	Size	180*60*35mm (L*W*H)	
	packing	185*65*45mm inner box 355*215*215mm outside carton 20PCS/CTN	
Notes	1. All parameters NOT specially mentioned are measured at 230VAC input , rated load and 25℃ of ambient temperature.		

Triac dimmable driver---Constant Voltage PWM output series 75W

	<ol style="list-style-type: none"> 2. Tolerance: includes set us tolerance, line regulation and load regulation . 3. The power supply is considered as a component that will be operated in combination with final Equipment. Since EMC performance will be affected by the complete installation, the final equipment manufactures must be-quality EMC Directive on the complete installation again 4. Loading range from 5% to 100%
--	--

■Mechanical Specification



■ Label

LED Driver (Triac Dimming - Leading edge)
Constant Voltage
 Model: KVP-12075-TD
 Input: 180-240V~0.74A 50/60Hz
 Output: 12V=6.25A 75W
 ta: 50°C tc: 90°C

• tc

IP20 SELV

Made in China

ZHUHAI SHENGCHANG ELECTRONICS CO.,LTD.
 Building 3, No.19, Yongtian Road, Qianshan Industrial Zone, Zhuhai City, Guangdong Province, China

- ※Input with Live Wire AC (L), Neutral Wire AC(N)
- ※Output LED SEC output Positive (LED+) , output negative(LED-). Connected to LED Lamps.
- ※ Suggested wire diameter:Input 0.75-4mm²; Output:0.5-4.0mm².
- ※ Please make sure you connect these correctly otherwise your product will not function correctly and could be damaged.
- ※Note: Any other requests we can customized.

Triac dimmable driver---Constant Voltage PWM output series 75W

■ Dimming Operation

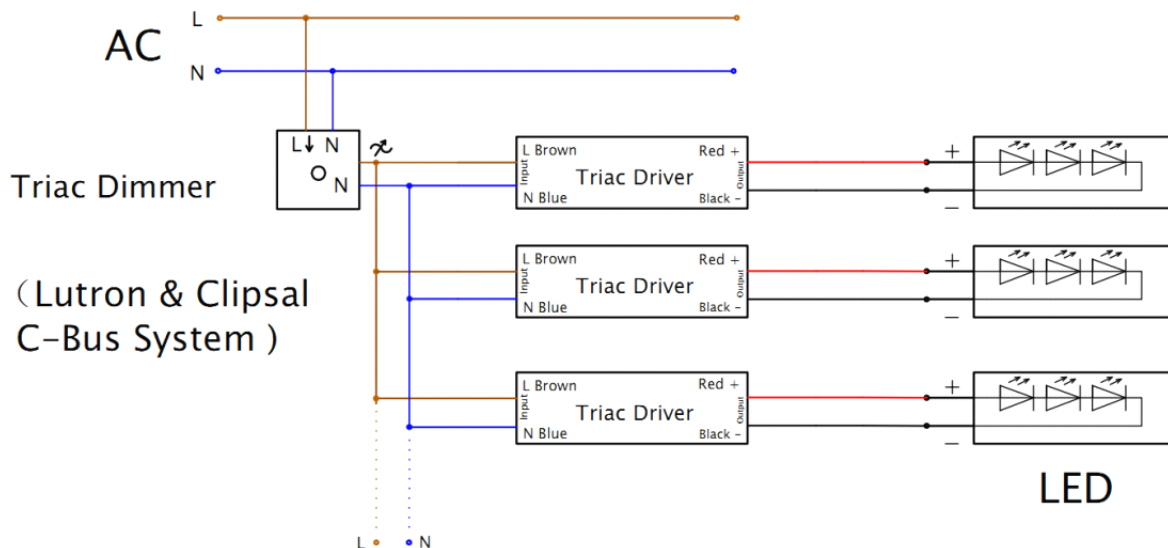
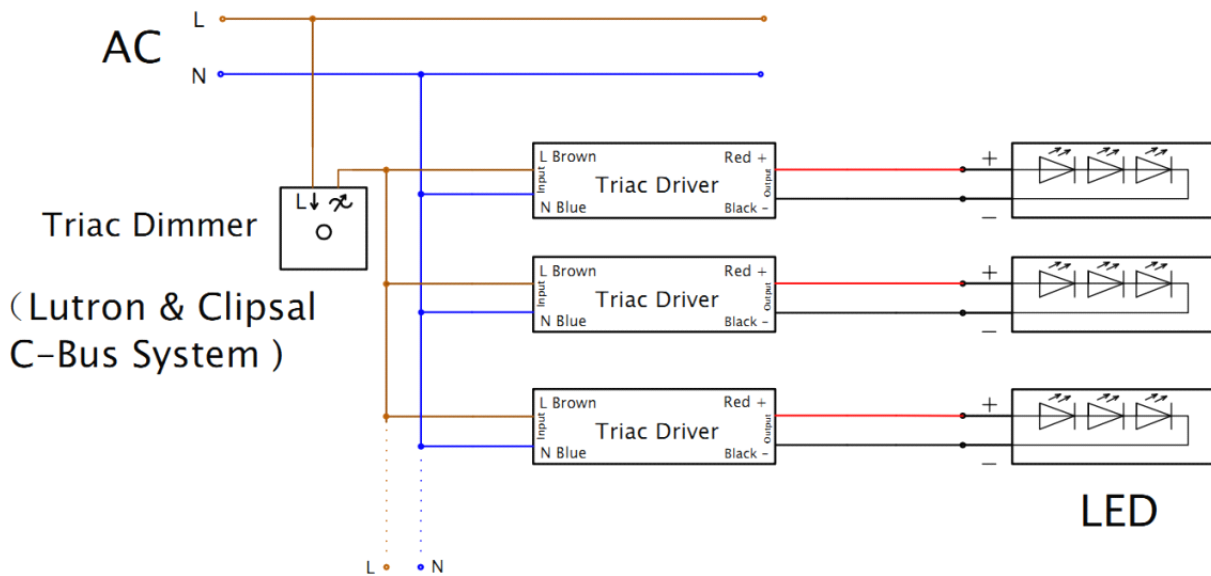
※Output constant current level can be adjusted through input terminal of the AC phase line(L) by connection a triac dimmer.

※Usually matching with leading edge Triac Dimmers (In order to matching trailing edge dimmer can be customized.)

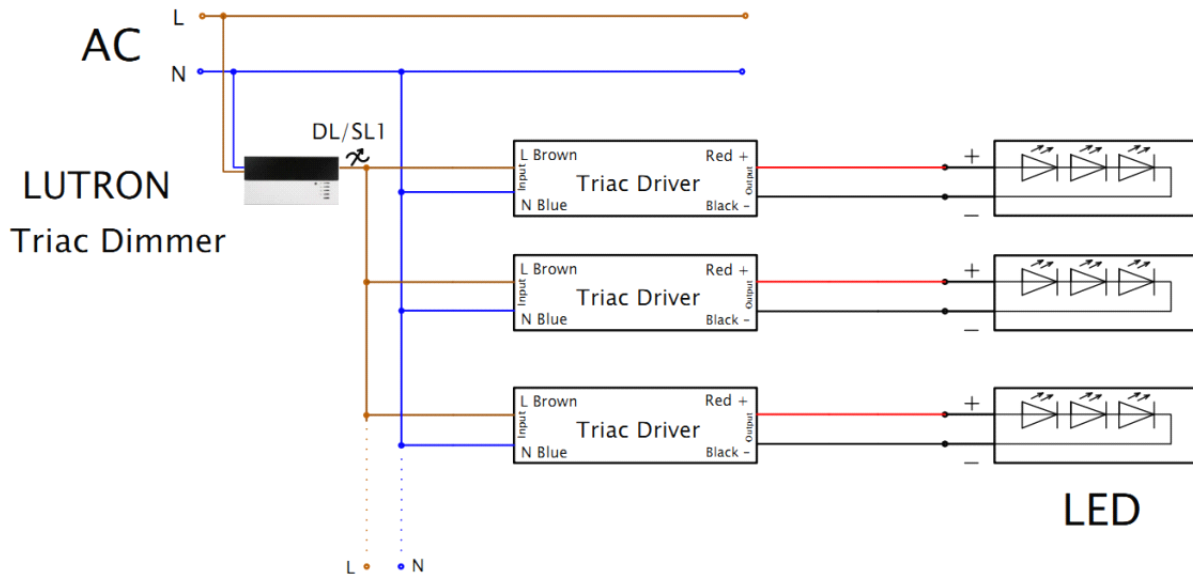
※please try to use the small power dimmer, have access to a wider dimming range, high-power dimmer is difficult to achieve the output current to zero

※please try to use dimmers with power at least 3 times as the output power of the driver.

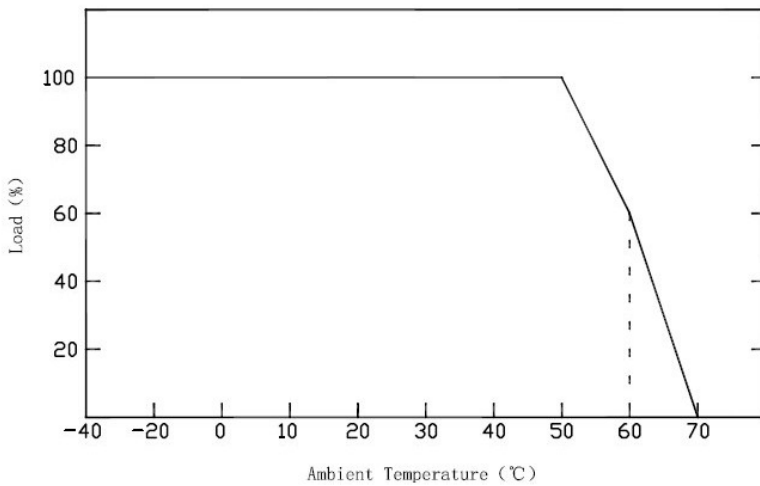
■ Connecting Diagram



Triac dimmable driver---Constant Voltage PWM output series 75W



Derating Curve



※To extend their life, please refer to the Derating Curve and derate according to the temperature.

Instruction:

- 1) This driver should be installed by qualified and professional person;
- 2) Please make sure the transformer is installed with adequate ventilation around it to allow for heat dissipation.
- 3) Ensure that wiring is correct before test in order to avoid light and power supply damage;
- 4) If driver cannot work normally, don't maintain privately; Have any question, please contact Shengchang.

Any other question please feel free to contact ZHUHAI SHENGCHANG ELETRONICS CO