

Triac dimmable driver---Constant Voltage series 10W (Slim case)

■ Features:

- Output constant voltage
- Range AC input/ :180-240VAC
- Built-in active PFC function
- High efficiency :up to 75%
- Protections:short circuit/over loading/over current
- Full protection plastic housing easy installation
- IP20 design for indoor installation
- Cooling by free air convection
- Work with leading edge and trailing edge TRIAC dimmers
- Strong compatibility, flicker-free dimming
- Suitable for LED lighting and moving sign applications
- Suitable for dry locations



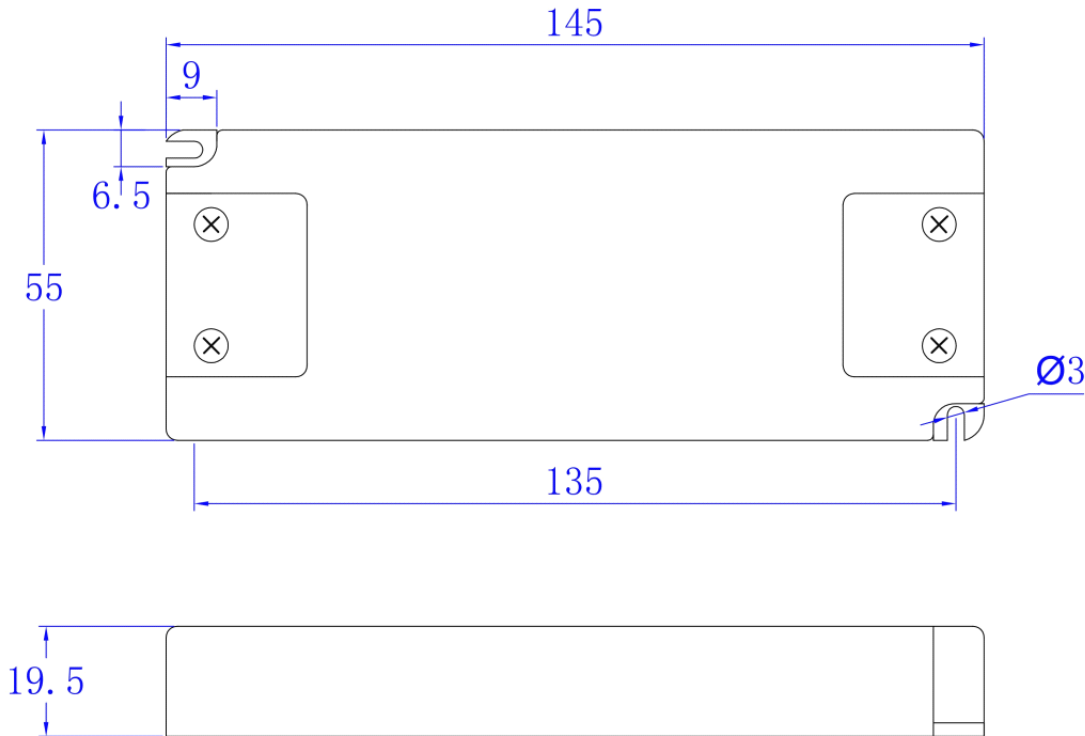
■ Specification

Model		KV-12010-TD	KV-24010-TD	KV-36010-TD	KV-48010-TD
Output	DC Voltage	12V	24V	36V	48V
	Voltage Tolerance	±0.5V			
	Rated current	0.83A	0.42A	0.28A	0.21A
	Rated power	10W			
Input	Voltage Range	180-240VAC			
	Frequency Range	47-63HZ			
	Power Factor	PF≥0.95/180VAC PF≥0.92/230VAC PF≥0.92/240VAC(Full loading)			
	Full Load Efficiency(Typ.)	68%	70%	72%	75%
	AC Current(Max.)	0.09A	0.09A	0.09A	0.08A
	Leakage current	<0.50mA			
Protection	Short Circuit	Hiccup mode, recovers automatically after fault condition is removed			
	Over Load	≤120%			
	Over Circuit	≤1.2 I * out			
	Protection Class:	II			
Environment	Working TEMP.	-40-+60℃			
	Working Humidity	20-90%RH, non-condensing			
	Storage TEM.,Humidity	-40-+80℃,10-95%RH			
	TEMP.coefficient	±0.03%/℃(0-50℃)			
	Vibration	10-500Hz,2G 12min./1 cycle,period for 72min.each along X.Y.Z axes.			
Safety&EMC	Safety standards	EN61347-1 EN61347-2-13			
	Withstand voltage	I/P-O/P:3.75KVAC			
	Isolation resistance	I/P-O/P:100MΩ/500VDC/25℃/70%RH			
	EMC Emission	EN55015,EN61000-3-2,3 (≥60%loading)			
	EMC Immunity	EN61000-4-2,3,4,5,6,11,EN61547,A light industry level (Surge 4KV)			
Others	Net.Weight	0.2Kg			
	Size	145*55*19.5mm(L*W*H)			
	packing	160*60*23mm inner box 350*240*130mm/ 40PCS/ CTN			
Notes	1. All parameters NOT specially mentioned are measured at 230VAC input , rated load and 25℃ of				

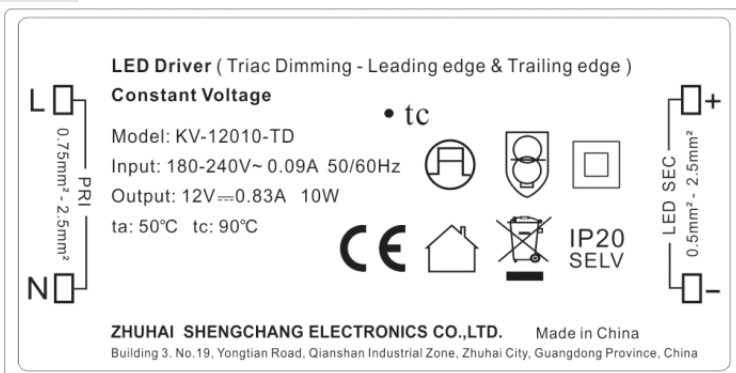
Triac dimmable driver---Constant Voltage series 10W (Slim case)

	<p>ambient temperature.</p> <ol style="list-style-type: none"> 2. Tolerance: includes set us tolerance, line regulation and load regulation . 3. The power supply is considered as a component that will be operated in combination with final Equipment. Since EMC performance will be affected by the complete installation, the final equipment manufactures must be-qualify EMC Directive on the complete installation again
--	--

■ Mechanical Specification



■ Label



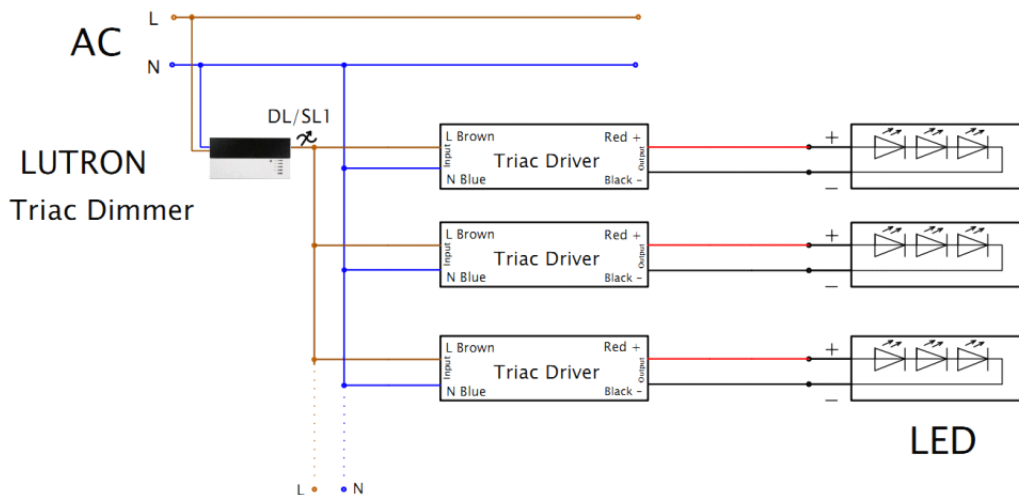
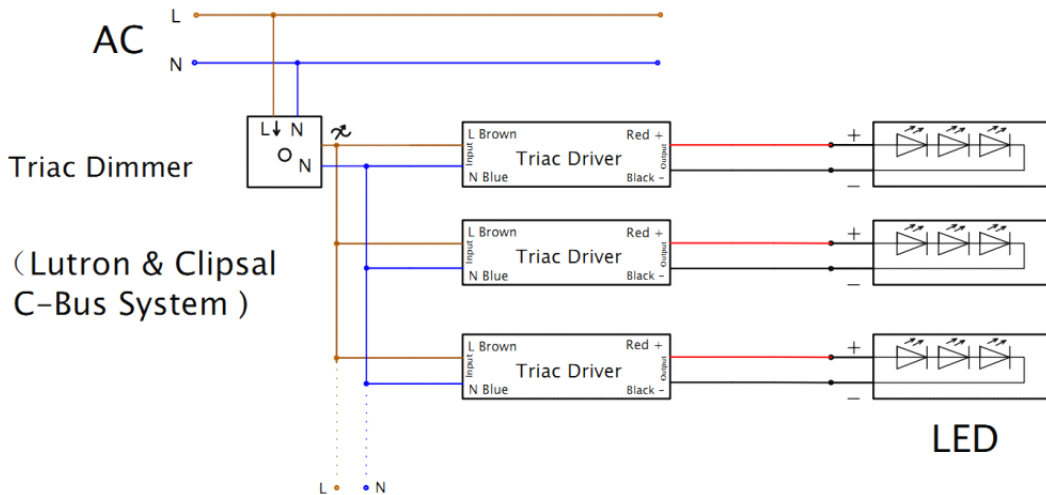
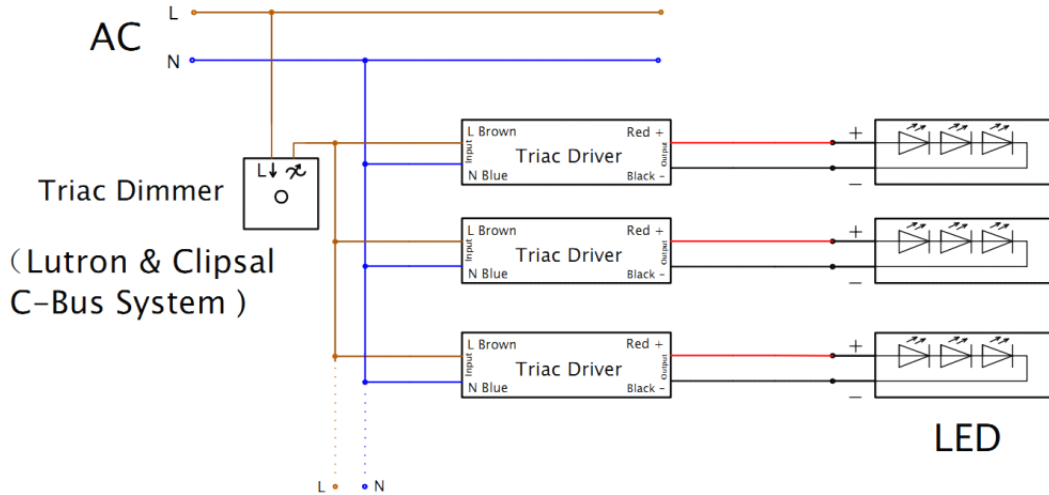
- ※Input with Live Wire AC (L), Neutral Wire AC(N)
- ※Output LED SEC output Positive (LED+) , output negative(LED-). Connected to LED Lamps.
- ※ Suggested wire diameter:Input 0.75-2.5mm²; Output:0.5-2.5mm².
- ※ Please make sure you connect these correctly otherwise your product will not function correctly and could be damaged.
- ※Note: Any other requests we can customized.

■Dimming Operation

Triac dimmable driver---Constant Voltage series 10W (Slim case)

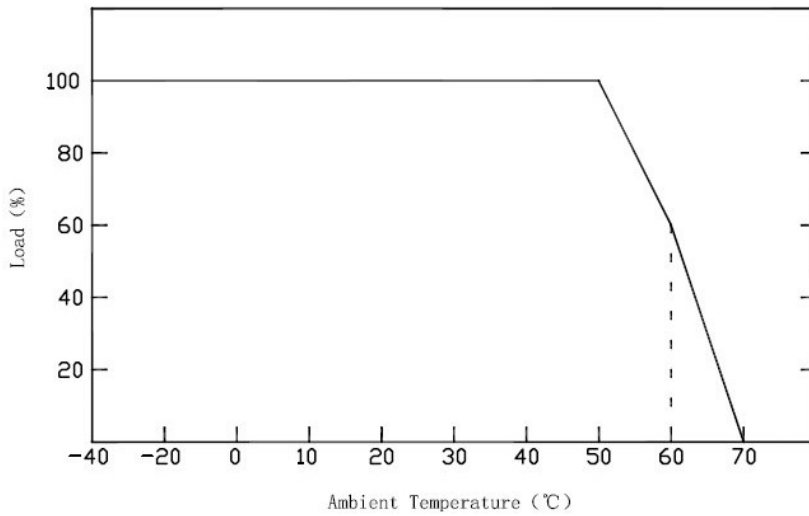
- ※Output constant current level can be adjusted through input terminal of the AC phase line(L) by connection a triac dimmer.
- ※Compatible with Leading edge or tailing edge triac dimmers.
- ※please try to use the small power dimmer, have access to a wider dimming range, high-power dimmer is difficult to achieve the output current to zero.

■ Connecting Diagram



Triac dimmable driver---Constant Voltage series 10W (Slim case)

■Derating Curve



※To extend their life, please refer to the Derating Curve and derate according to the temperature.

■Instruction:

- 1) This driver should be installed by qualified and professional person;
- 2) Please make sure the transformer is installed with adequate ventilation around it to allow for heat dissipation.
- 3) Ensure that wiring is correct before test in order to avoid light and power supply damage;
- 4) If driver cannot work normally, don't maintain privately; Have any question, please contact Shengchang.

Any other question please feel free to contact ZHUHAI SHENGCHANG ELETRONICS CO