

Triac dimmable driver---Constant Voltage series 30W

■ Features :



- Output constant voltage
- Range AC input/ :180-240VAC
- Built-in active PFC function
- Efficiency :up to 85%
- Protections:short circuit/over loading/over current
- Full protection plastic housing easy installation
- IP20 design for indoor installation
- Cooling by free air convection
- Work with leading edge and trailing edge TRIAC dimmers
- Strong compatibility, flicker-free dimming
- Suitable for LED lighting and moving sign applications
- Suitable for dry locations



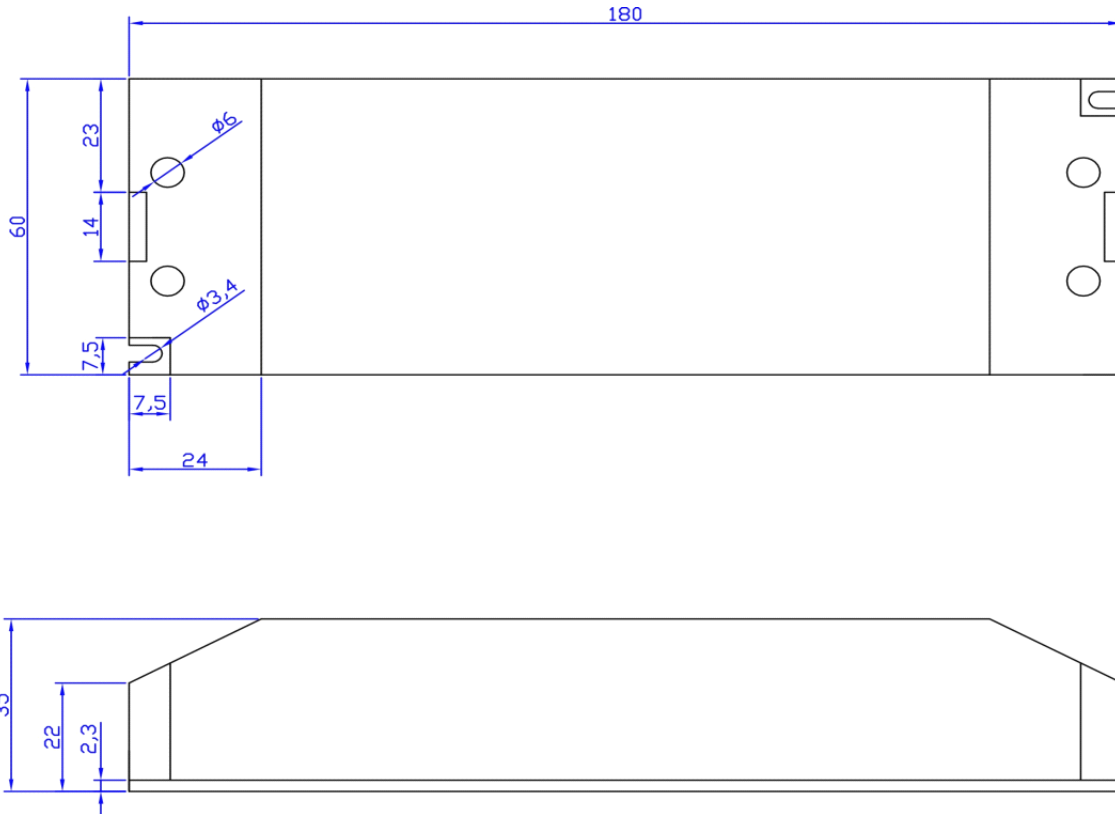
■ Specification

Model		KV-12030-TD	KV-24030-TD	KV-36030-TD	KV-48030-TD
output	DC Voltage	12V	24V	36V	48V
	Voltage Tolerance	±0.5V			
	Rated current	2500mA	1250mA	830mA	620mA
	Rated power	30W			
input	Voltage Range	180-240VAC			
	Frequency Range	47 - 63HZ			
	Power Factor	PF≥0.98/180VAC PF≥0.95/230VAC PF≥0.95/240VAC (Full loading)			
	Full Load Efficiency(Typ.)	81%	83%	84%	85%
	AC Current(Max.)	0.18A	0.17A	0.16A	0.15A
	Leakage Current	<0.5mA			
Protection	Short Circuit	Protection type: Hiccup mode, recovers automatically after fault condition is removed			
	Over Load	≤120%			
	Over Circuit	≤1.2 I * out			
	Protection Class:	II			
Environment	Working TEMP.	-40 - +60 °C			
	Working Humidity	20 - 90%RH,non-condensing			
	Storage TEM.,Humidity	-40- + 80 °C,10-95%RH			
	TEMP.coefficient	±0.03%/°C (0-50 °C)			
	Vibration	10-500Hz,2G 12min./1 cycle,period for 72min.each along X.Y.Z axes.			
Safety & EMC	Safety Standards	EN61347-1 EN61347-2-13			
	Withstand voltage	I/P-O/P:3.75KVAC			
	Isolation resistance	I/P-O/P:100MΩ/500VDC/25 °C /70%RH			
	EMC EMISSION	EN55015,EN61000-3-2,3 (≥60%loading)			
	EMC IMMUNITY	EN61000-4-2,3,4,5,6,11,EN61547,A light industry level (Surge 4KV)			
Others	Net.Weight	0.45KG			
	Size	180*60*35mm(L*W*H)			
	packing	185*65*45mm(inner box) 355*215*215mm/20 pcs /CTN			

Triac dimmable driver---Constant Voltage series 30W

Notes	<ol style="list-style-type: none"> 1. All parameters NOT specially mentioned are measured at 230VAC input , rated load and 25°C of ambient temperature. 2. Tolerance: includes set us tolerance, line regulation and load regulation . 3. The power supply is considered as a component that will be operated in combination with final Equipment. Since EMC performance will be affected by the complete installation, the final equipment manufactures must be-qualify EMC Directive on the complete installation again
--------------	--

■ Mechanical Specification



■ Label



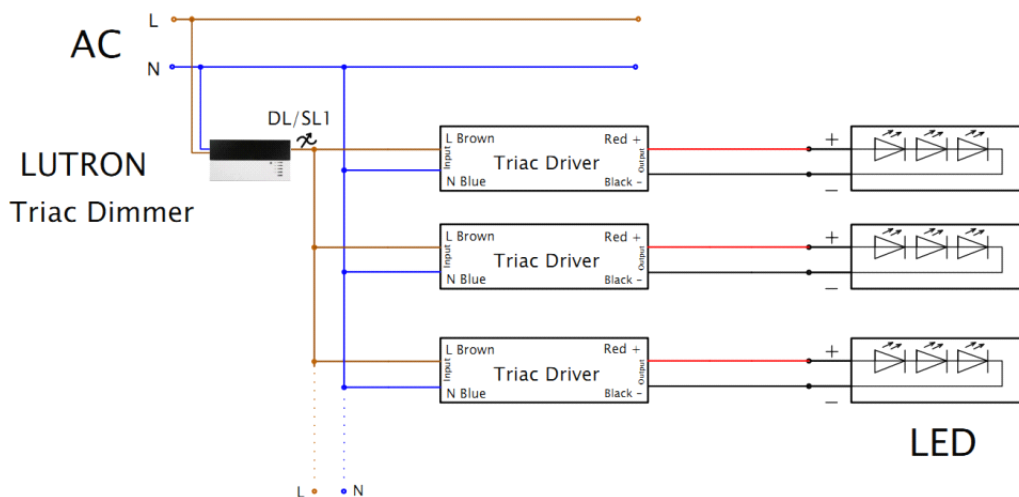
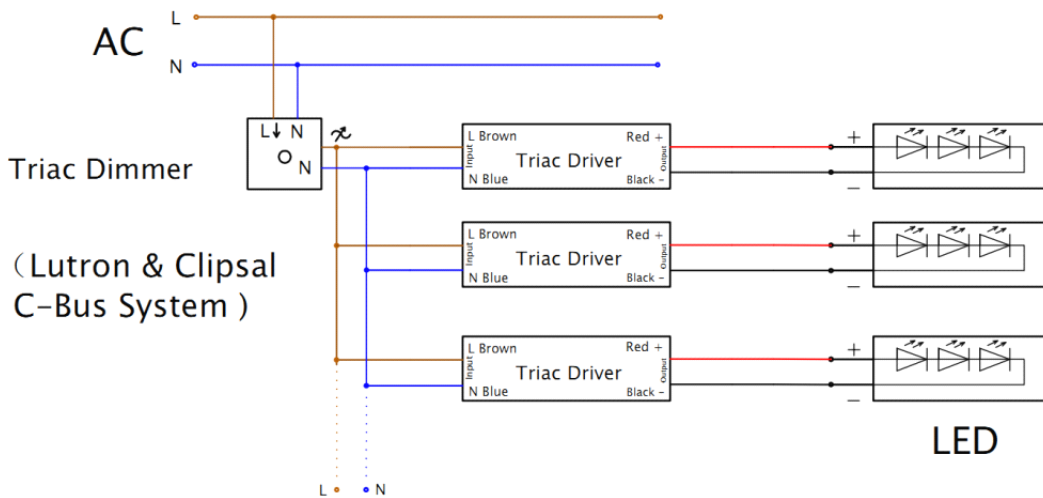
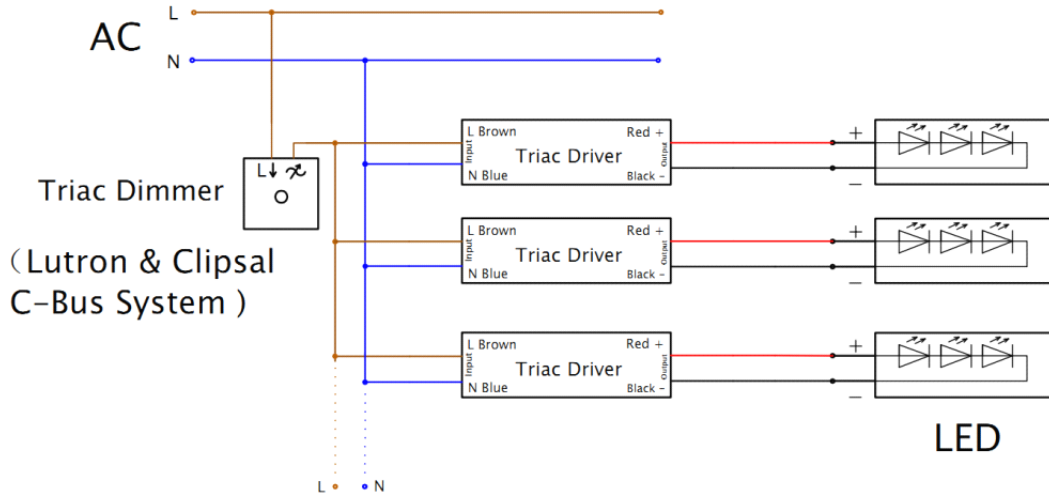
- ※Input with Live Wire AC (L), Neutral Wire AC(N)
- ※Output LED SEC output Positive (LED+) , output negative(LED-). Connected to LED Lamps.
- ※ Suggested wire diameter:Input 0.75-4.0mm²; Output:0.5-4.0mm².
- ※ Please make sure you connect these correctly otherwise your product will not function correctly and could be damaged.
- ※Note: Any other requests we can customized.

■Dimming Operation

Triac dimmable driver---Constant Voltage series 30W

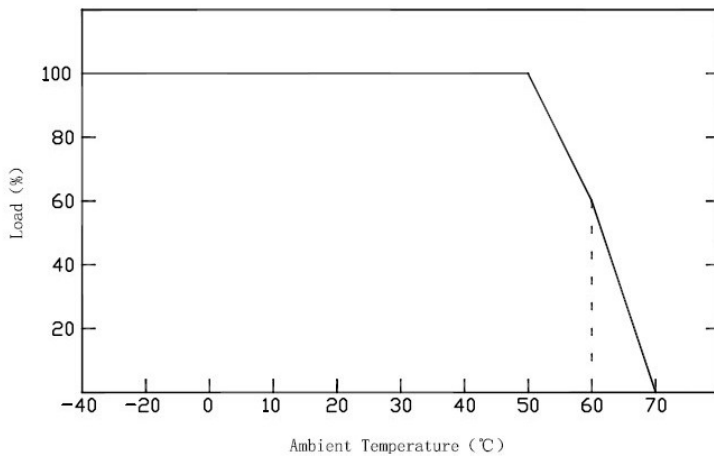
- ※Output constant current level can be adjusted through input terminal of the AC phase line(L) by connection a triac dimmer.
- ※Compatible with Leading edge or tailing edge triac dimmers.
- ※please try to use the small power dimmer, have access to a wider dimming range, high-power dimmer is difficult to achieve the output current to zero

■ Connecting Diagram



Triac dimmable driver---Constant Voltage series 30W

■Derating Curve



※To extend their life, please refer to the Derating Curve and derate according to the temperature.

■Instruction:

- 1) This driver should be installed by qualified and professional person;
- 2) Please make sure the transformer is installed with adequate ventilation around it to allow for heat dissipation.
- 3) Ensure that wiring is correct before test in order to avoid light and power supply damage;
- 4) If driver cannot work normally, don't maintain privately; Have any question, please contact Shengchang.

Any other question please feel free to contact ZHUHAI SHENGCHANG ELETRONICS CO.,LTD.