

**Triac dimmable driver---Constant Current DIP Adjustment Multi-current output series 25W**

**■ Features:**

- Output constant current
- Range AC input :180-240VAC
- Efficiency 81% Max
- Protections: short circuit/over load/ over current/
- Full protection plastic housing easy installation
- IP20 design for indoor installation
- Cooling by free air convection
- Dimming function: Triac dimmable Phase cut dimmable
- Strong compatibility, flicker-free dimming
- Suitable for LED lighting and moving sign applications
- Suitable for dry locations



**■ Specification**



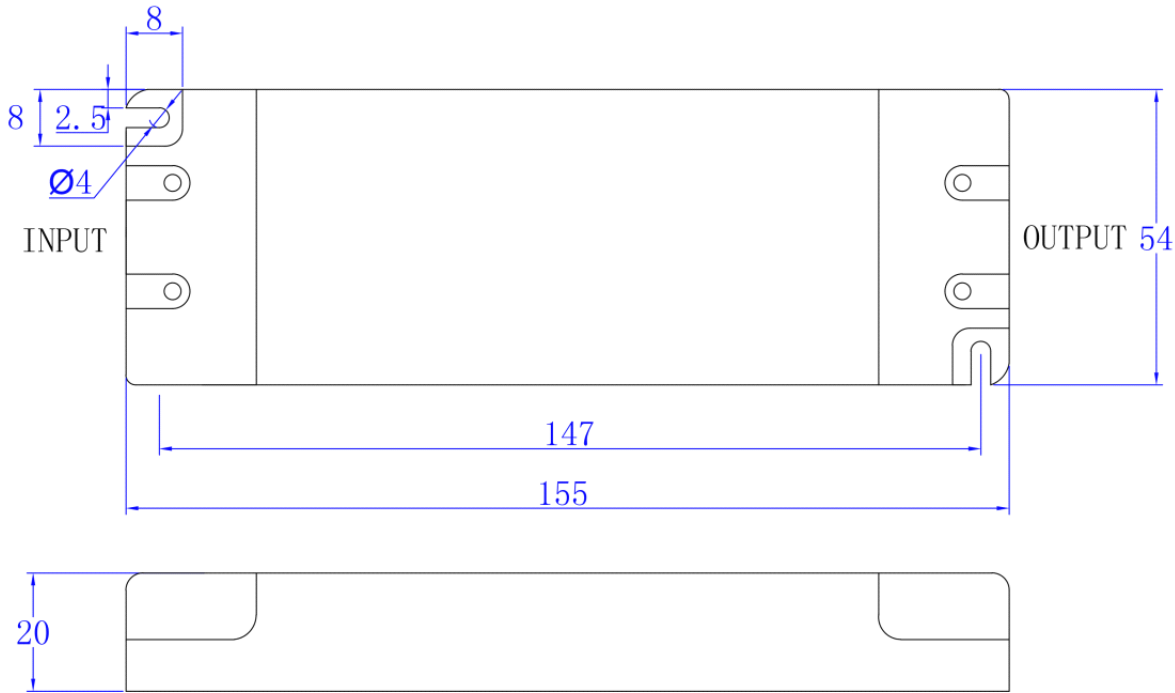
Model		KIP-025-TD							
<b>Output</b>	Rated current	900mA ●●●●	850mA ○●●●	700mA ●○●●	650mA ●●●○	550mA ○●●●	500mA ○●○●	350mA ●○○○	300mA ○○○○
	Current Tolerance	±5%							
	DC Voltage	5-28V	5-30V	5-35V	5-38V	5-45V	5-50V	5-50V	5-50V
	Rated power	25.2W	25.5W	24.5W	24.7W	22.5W	25W	17.5W	15W
<b>Input</b>	Rated Input Voltage	180-240VAC							
	Rated Frequency:	47-63HZ							
	Power Factor	PF≥0.55/180VAC PF≥0.55/230VAC PF≥0.55/240VAC(Full loading)							
	Full Load Efficiency(Typ.)	80%	80%	81%	81%	81%	81%	80%	79%
	AC Current(Max.)	0.33A	0.33A	0.31A	0.31A	0.29A	0.32A	0.23A	0.2A
	Leakage current	<0.50mA							
<b>Protection</b>	Short Circuit	Hiccup mode, recovers automatically after fault condition is removed							
	Output No-Load Voltage	52-60V							
	Over Load	≤ 120%							
	Protection Class:	II							
<b>Environment</b>	Working TEMP.	-40-+60℃							
	Working Humidity	20-95%RH,non-condensing							
	Storage TEM. Humidity	-40-+80℃,10-95%RH							
	TEMP. coefficient	±0.03%/℃(0-50℃)							
	Vibration	10-500Hz,5G 12min./1 cycle,period for 72min.each along X,Y,Z axes							
<b>Safety &amp; EMC</b>	Safety standards	EN61347-1 EN61347-2-13							
	Withstand voltage	I/P-O/P:3.75KVAC							
	Isolation resistance	I/P-O/P:100MΩ/500VDC/25℃/70%RH							
	EMC EMISSION	EN55015, EN61000-3-2,3 (≥ 50% load)							
	EMC IMMUNITY	EN61000-4-2,3,4,5,6 ,11, EN61547,A light industry level (surge 4KV)							
<b>Others</b>	Weight	0.21Kg							
	Size	155*54*20mm(L*W*H)							
	packing	160*60*23mm inner box 350*240*130mm outside carton 40PCS/CTN							

**Triac dimmable driver---Constant Current DIP Adjustment Multi-current output series 25W**

**Notes**

1. All parameters NOT specially mentioned are measured at 230VAC input , rated load and 25°C of ambient temperature.
2. Tolerance: includes set us tolerance, line regulation and load regulation .

**■ Mechanical Specification**



**■ Label**

**LED Driver (TRIAC Dimming-Leading edge)**

**Multi Output Constant Current**

Model: KIP-025-TD • tc

Input: 180-240V ~ 0.33A 50/60Hz

Pout: Max 25W Uout:5-50V

Iout:300 - 900mA(Constant)

ta:50°C tc:90°C

300mA	350mA	500mA	550mA	650mA	700mA	850mA	900mA
5-50V	5-50V	5-50V	5-45V	5-38V	5-35V	5-30V	5-28V
Max Power	15W	17.5W	25W	24.8W	24.7W	24.5W	25.2W

ZHUHAI SHENGCHANG ELECTRONICS CO.,LTD.  
Building 3, No. 19, Yongtian Road, Qianshan Industrial Zone,  
Zuhai City, Guangdong Province, China Made in China

IP20 SELV

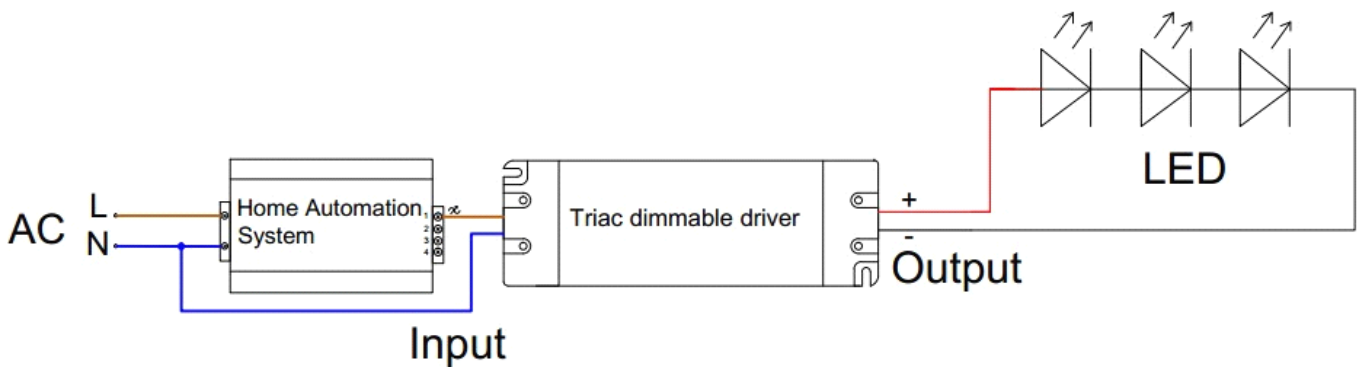
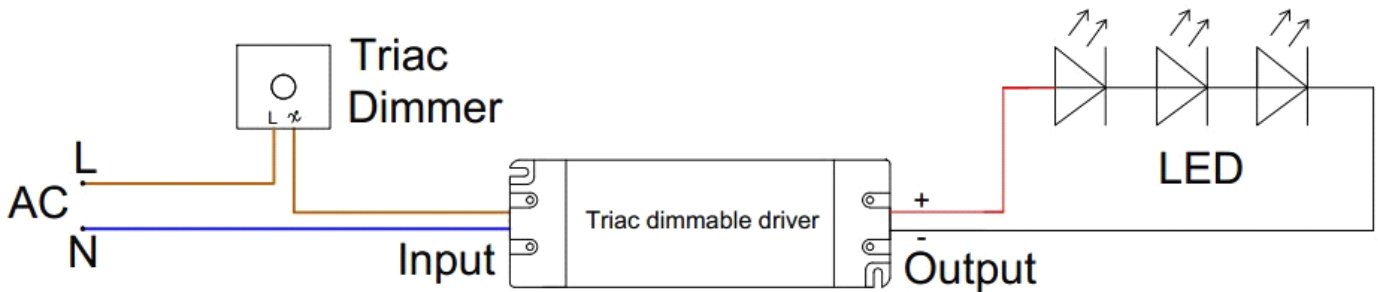
- ※Input with Live Wire AC (L), Neutral Wire AC(N)
- ※Output LED SEC output Positive (LED+) , output negative(LED-). Connected to LED Lamps.
- ※ Suggested wire diameter:Input 0.75-2.5mm<sup>2</sup>; Output:0.5-2.5mm<sup>2</sup>.
- ※ Please make sure you connect these correctly otherwise your product will not function correctly and could be damaged.
- ※Note: Any other requests we can customized.

**Triac dimmable driver---Constant Current DIP Adjustment Multi-current output series 25W**

**■ Dimming Operation**

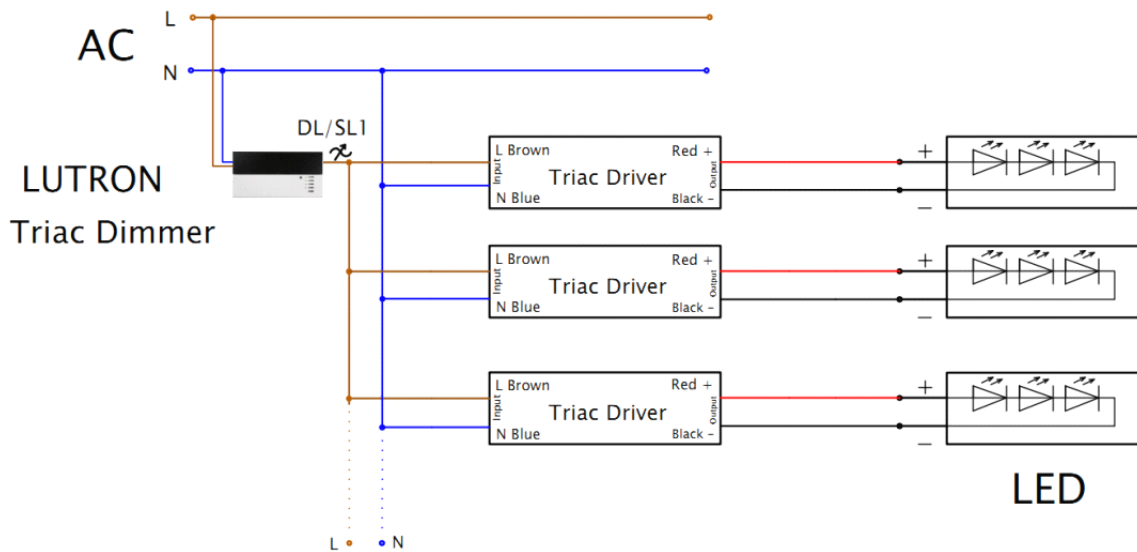
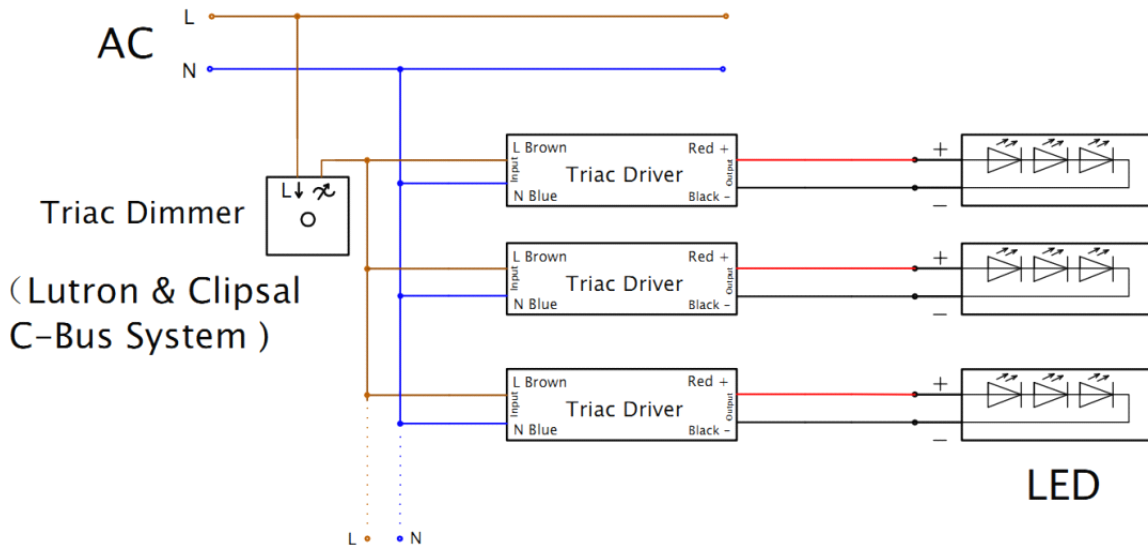
- ※Output constant current level can be adjusted through input terminal of the AC phase line(L) by connection a triac dimmer.
- ※Usually matching with leading edge Triac Dimmers.
- ※please try to use the small power dimmer, have access to a wider dimming range, high-power dimmer is difficult to achieve the output current to zero
- ※please try to use dimmers with power at least 3 times as the output power of the driver.

**■ Connecting Diagram in Single (I)**

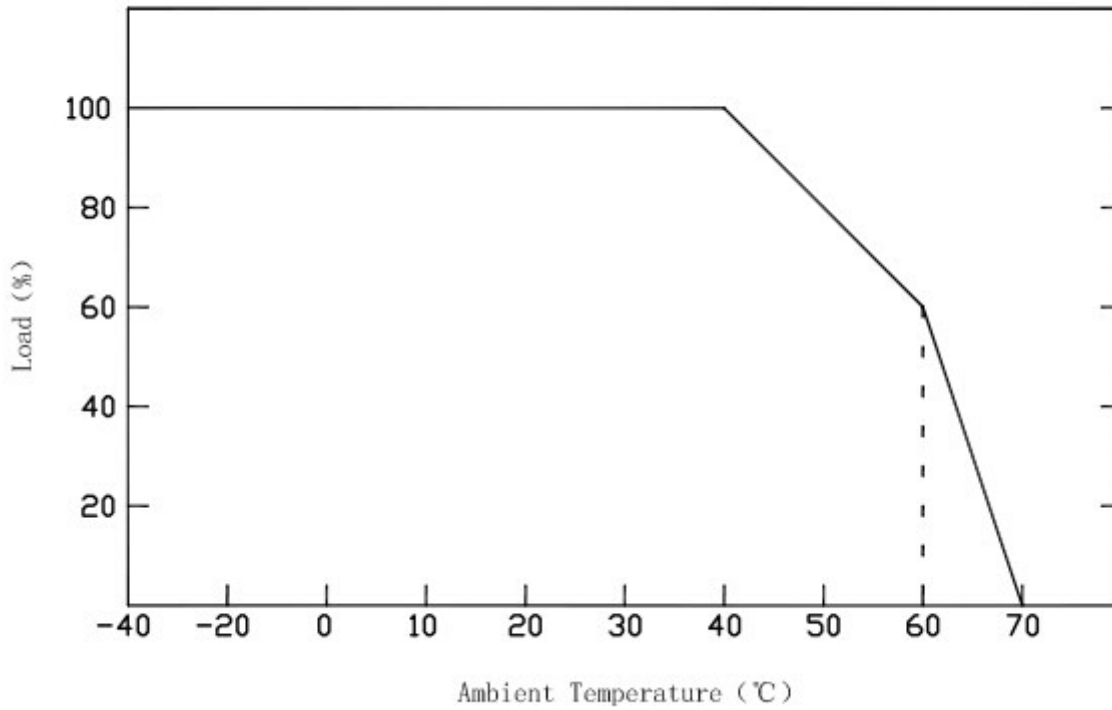


**Triac dimmable driver---Constant Current DIP Adjustment Multi-current output series 25W**

**■ Connecting Diagram Multiple(II)**



## Derating Curve



※To extend their life, please refer to the Derating Curve and derate according to the temperature.

## Instruction:

- 1) This driver should be installed by qualified and professional person;
- 2) Please make sure the transformer is installed with adequate ventilation around it to allow for heat dissipation.
- 3) Ensure that wiring is correct before test in order to avoid light and power supply damage;
- 4) If driver cannot work normally, don't maintain privately; Have any question, please contact Shengchang.

Any other question please feel free to contact ZHUHAI SHENGCHANG ELETRONICS CO