

15W Triac dimmable LED driver ---Constant Current DIP Adjustment Multi-current output Series



■ Features:

- Output constant current
- Input Range 100-130VAC
- Efficiency 78% Max
- Protections: short circuit/over load/ over current/
- Cooling by free air convection
- IP20 design for indoor installation .
- Dimming function: Triac dimmable Phase cut dimmable
- Dimming range from 0% to 100%
- Suitable for intelligent LED lighting
- Suitable for dry locations

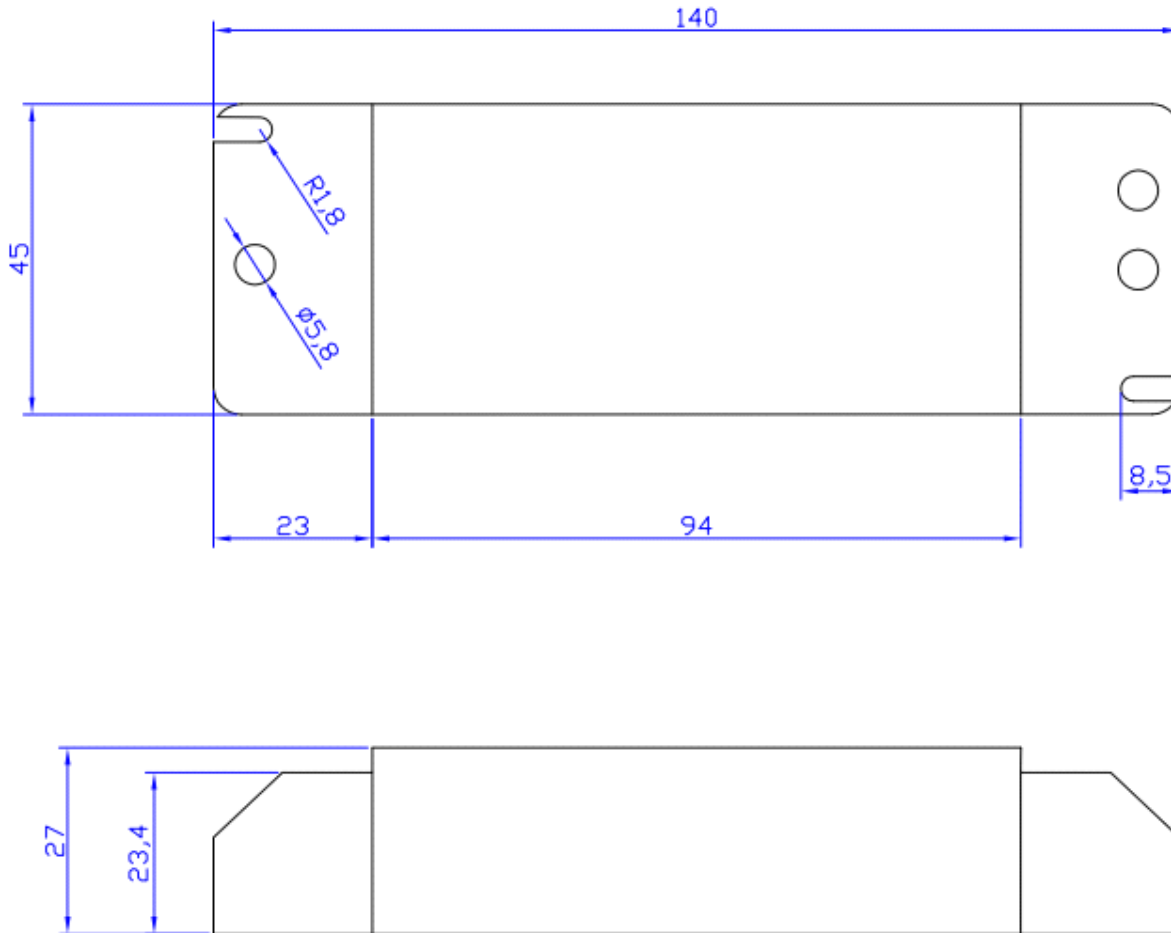
Specification



Model		KIP-015-TDL							
Output	Rated current	700mA ●●●	600mA ○●●	500mA ●○●	450mA ●●○	400mA ○○●	350mA ○●○	250mA ●○○	150mA ○○○
	Current Tolerance	±5%							
	DC Voltage	5-22V	5-25V	5-30V	5-33V	5-37V	5-45V	5-50V	20-50V
	Rated power	15.4W	15W	15W	14.85W	14.8W	15.75W	12.5W	7.5W
Input	Rated Input Voltage	100-130VAC							
	Rated Frequency:	47-63HZ							
	Power Factor	PF≥0.65/100VAC PF≥0.65/120VAC PF≥0.65/130VAC(Full loading)							
	Full Load Efficiency(Typ)	77%	77%	78%	78%	78%	78%	77%	74%
	AC Current(Max.)	0.32A	0.32A	0.32A	0.31A	0.31A	0.32A	0.26A	0.16A
	Leakage current	<0.50mA							
Protection	Short Circuit	Protection type: Hiccup mode, recovers automatically after fault condition is removed							
	Output No-Load Voltage	52-60V							
	Over Load	≤120%							
Environ-ment	Working TEMP.	-40-+60°C							
	Working Humidity	20-95%RH,non-condensing							
	Storage TEM. Humidity	-40-+80°C, 10-95%RH							
	TEMP. coefficient	±0.03%/°C(0-50°C)							
	Vibration	10~500Hz,5G 12min./1 cycle,period for 72min.each along X,Y,Z axes							
Safety & EMC	Safety standards	UL8750+UL1310							
	Withstand voltage	I/P-O/P:1500KVAC							
	Isolation resistance	I/P-O/P:100MΩ/500VDC/25°C/70%RH							
	EMC EMISSION	FCC Part 15 B							
Others	Weight	0.19Kg							
	Size	140*45*28mm(L*W*H)							
	packing	145*50*36mm for inner box 320*280*215mm(50PCS/CTN) for outer carton							
Notes	1. All parameters NOT specially mentioned are measured at 120VAC input , rated load and 25°C of ambient temperature. 2. Tolerance: includes set us tolerance, line regulation and load regulation .								

15W Triac dimmable LED driver ---Constant Current DIP Adjustment Multi-current output Series

■ Mechanical Specification



■ Label

LED Driver (Triac Dimming-Leading edge)

Multi Output Constant Current

Model: KIP-015-TDL

Input: 100-130V ~ 0.31A 50/60Hz

Out: Max 15W Uout:5-50V

Out:150 - 700mA(Constant)

ta:50°C tc:90°C

ZHUHAI SHENGCHANG ELECTRONICS CO.,LTD.
Building 3, No. 18, Yongqian Road, Qianzhan Industrial Zone,
Zhuhai City, Guangdong Province, China Made in China

150mA	250mA	350mA	400mA	450mA	500mA	600mA	700mA
20-50V	5-50V	5-45V	5-38V	5-38V	5-30V	5-25V	5-22V
Max. Power	7.5W	12.5W	15.8W	15.2W	15.8W	19W	18.4W

• tc

LED SEC +

LED SEC -

IP20 SELV

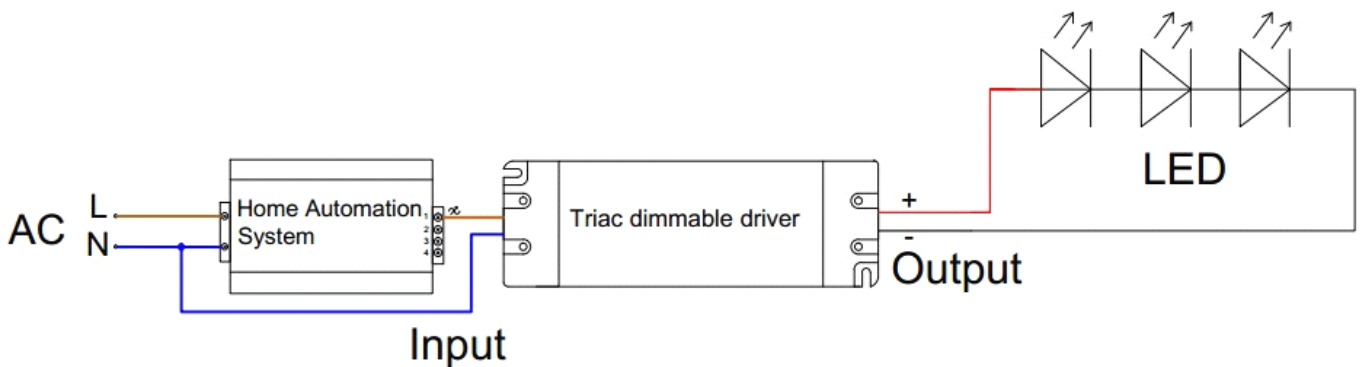
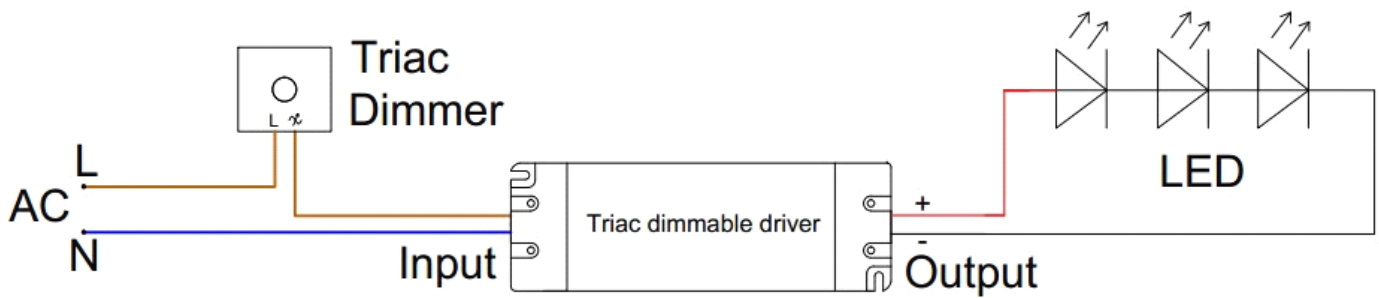
- ※Input with Live Wire AC (L), Neutral Wire AC(N)
- ※Output LED SEC output Positive (LED+) , output negative(LED-). Connected to LED Lamps.
- ※ Suggested wire diameter:Input 18-14AWG; Output:020-14AWG
- ※ Please make sure you connect these correctly otherwise your product will not function correctly and could be damaged.
- ※Note: Any other requests we can customized.

15W Triac dimmable LED driver ---Constant Current DIP Adjustment Multi-current output Series

■ Dimming Operation

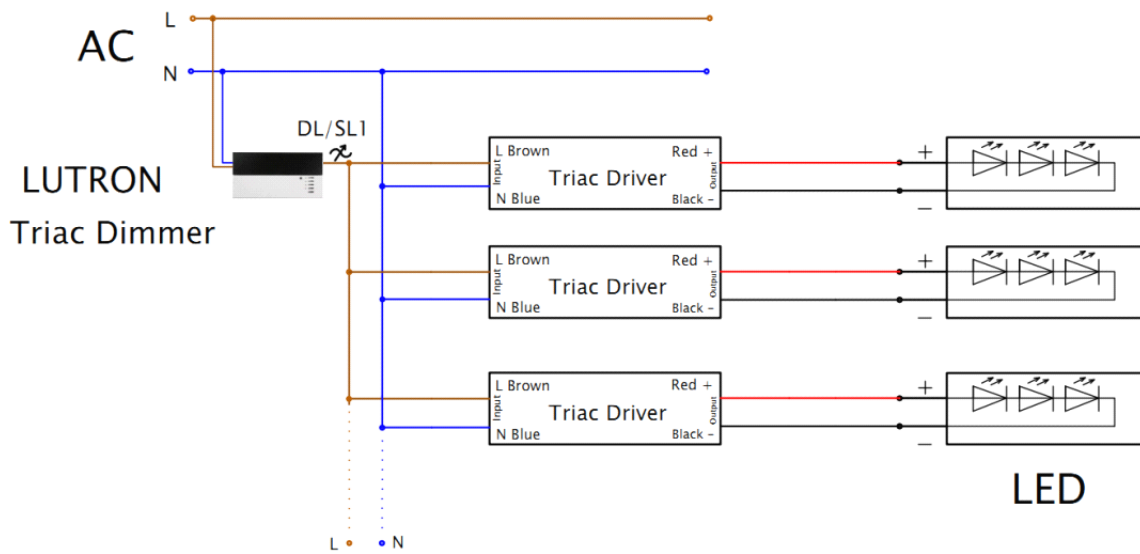
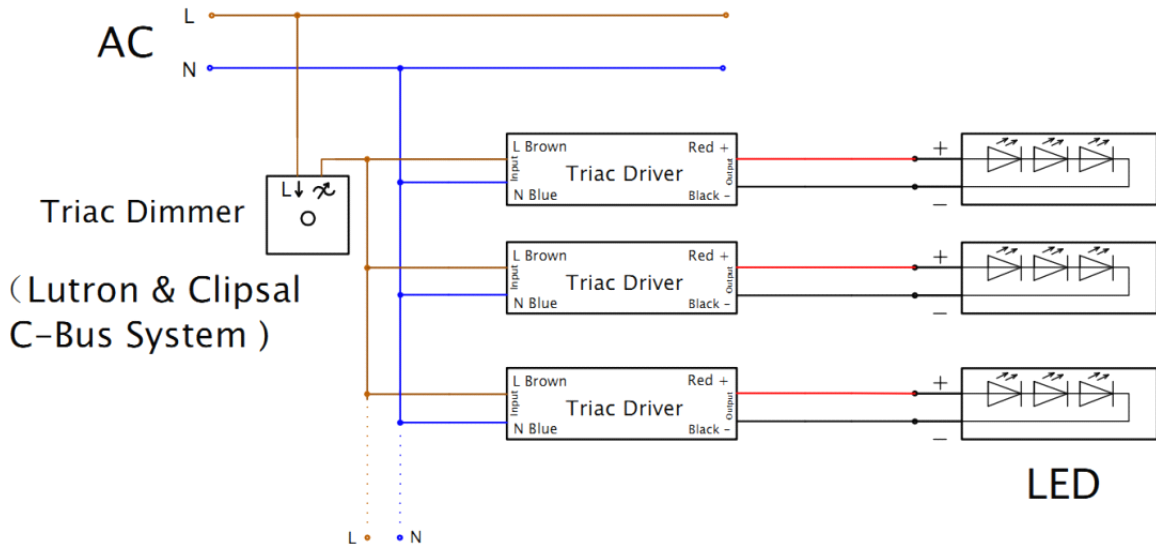
- ※The Pulse-Width Modulation (PWM) of output voltage can be adjusted through input terminal of the AC phase line(L) by connection a triac dimmer.
- ※Usually matching with leading edge/Forward Phase Triac Dimmers(Can customized as a driver only matching trailing edge/reverse phase Triac Dimmers if needed).
- ※Please try to use dimmers with power at least 3times as the output power of the driver.
- ※for Forward phase,Magnetic low voltage and Triac Dimmers

■ Connecting Diagram in Single (I)

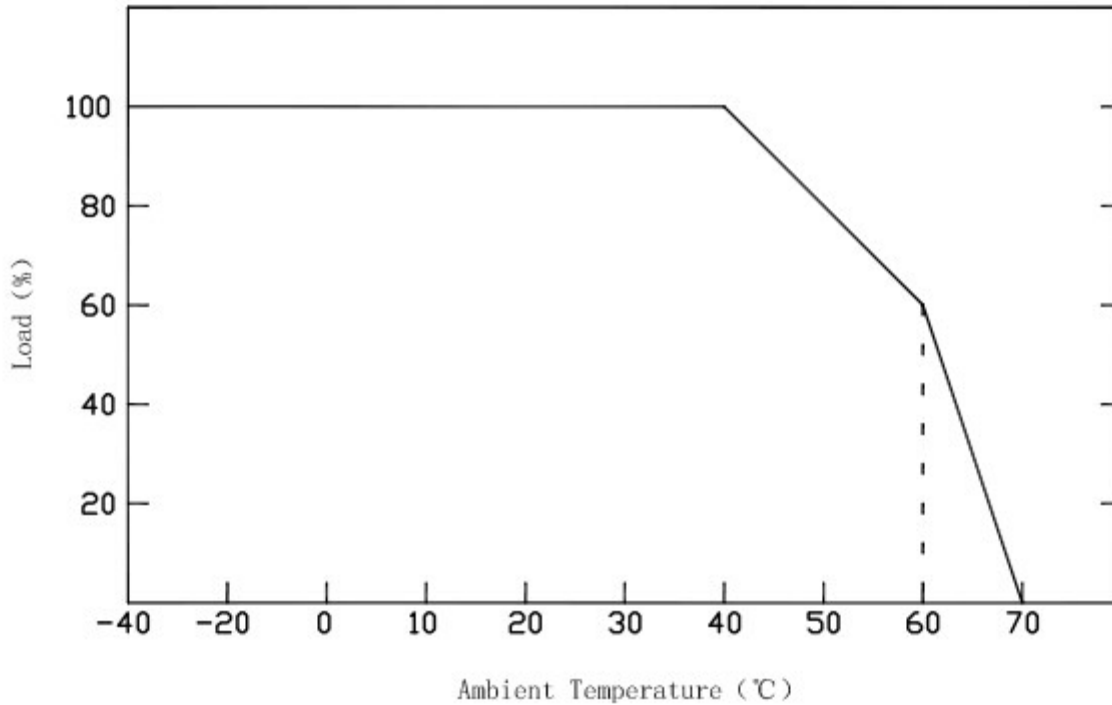


15W Triac dimmable LED driver ---Constant Current DIP Adjustment Multi-current output Series

■ Connecting Diagram in Multiple (II)



■Derating Curve



※To extend their life, please refer to the Derating Curve and derate according to the temperature.

■Instruction:

- 1.This driver should be installed by qualified and professional person;
- 2.Please make sure the transformer is installed with adequate ventilation around it to allow for heat dissipation.
- 3.Ensure that wiring is correct before test in order to avoid light and power supply damage;
- 4.If driver cannot work normally, please don't maintain privately;

Should you have any questions, please feel free to contact with Shengchang .