

25W Triac dimmable LED driver ---Constant Current DIP Adjustment Multi-current output Series

■ Features:



- Output constant current
- Input Range 100-130VAC
- Efficiency 82% Max
- Protections: short circuit/over load/ over current/
- Cooling by free air convection
- IP20 design for indoor installation .
- Dimming function: Triac dimmable Phase cut dimmable
- Dimming range from 0% to 100%
- Suitable for intelligent LED lighting
- Suitable for dry locations

Specification

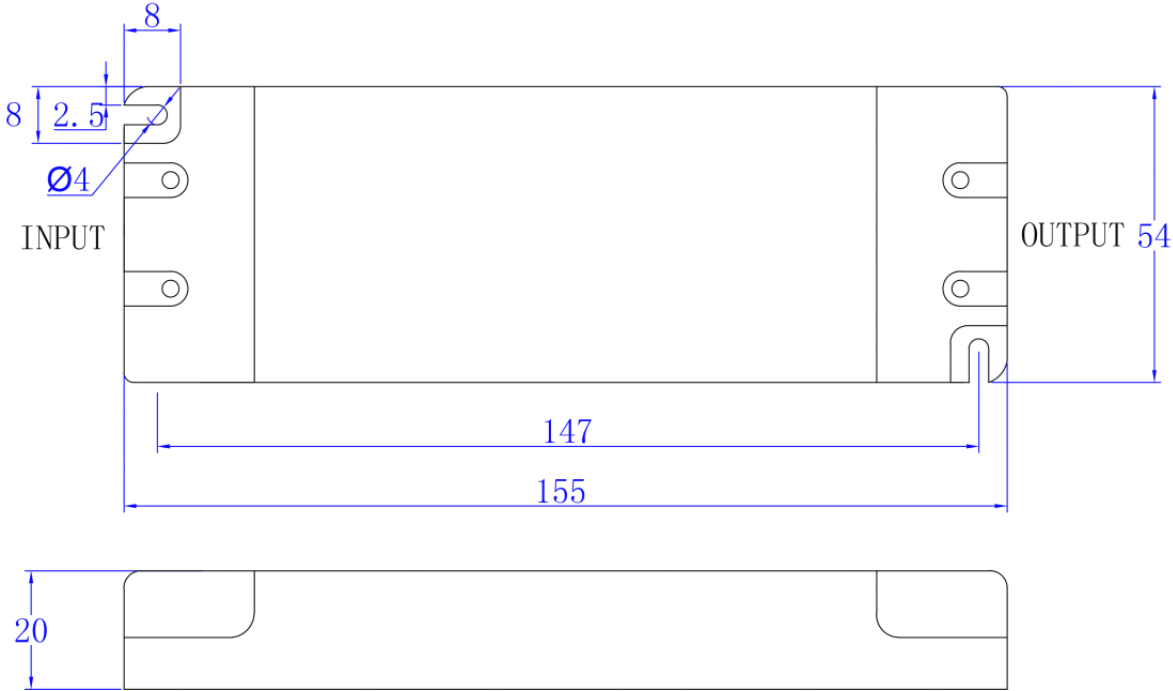


Model		KIP-025-TDL							
Output	Rated current	900mA ● ● ●	850mA ○ ● ●	700mA ● ○ ●	650mA ● ● ○	550mA ○ ○ ●	500mA ○ ● ○	350mA ● ○ ○	300mA ○ ○ ○
	Current Tolerance	±5%							
	DC Voltage	5-28V	5-30V	5-35V	5-38V	5-45V	5-50V	5-50V	5-50V
	Rated power	25.2W	25.5W	24.5W	24.7W	22.5W	25W	17.5W	15W
Input	Rated Input Voltage	100-130VAC							
	Rated Frequency:	47-63HZ							
	Power Factor	PF≥0.65/100VAC PF≥0.65/120VAC PF≥0.65/130VAC(Full loading)							
	Full Load Efficiency(Typ)	81%	81%	82%	82%	82%	82%	81%	80%
	AC Current(Max.)	0.49A	0.49A	0.47A	0.47A	0.43A	0.48A	0.34A	0.29A
	Leakage current	<0.50mA							
Protection	Short Circuit	Protection type: Hiccup mode, recovers automatically after fault condition is removed							
	Output No-Load Voltage	52-60V							
	Over Load	≤ 120%							
Environment	Working TEMP.	-40+60°C							
	Working Humidity	20-95%RH,non-condensing							
	Storage TEM. Humidity	-40+80°C,10-95%RH							
	TEMP. coefficient	±0.03%/°C(0-50°C)							
	Vibration	10-00Hz,5G 12min./1 cycle,period for 72min.each along X,Y,Z axes							
Safety & EMC	Safety standards	UL8750+UL1310							
	Withstand voltage	I/P-O/P:1500KVAC							
	Isolation resistance	I/P-O/P:100MΩ/500VDC/25°C/70%RH							
	EMC EMISSION	FCC Part 15 B							
Others	Weight	0.21Kg							
	Size	155*54*20mm(L*W*H)							
	packing	160*60*23 inner box 350*240*130mm outside carton 40PCS/CTN							
Notes	1. All parameters NOT specially mentioned are measured at 120VAC input , rated load and 25°C of ambient temperature.								

25W Triac dimmable LED driver ---Constant Current DIP Adjustment Multi-current output Series

2. Tolerance: includes set us tolerance, line regulation and load regulation .

■ Mechanical Specification



■ Label

LED Driver (TRIAC Dimming-Leading edge)
Multi Output Constant Current
 Model: KIP-025-TDL •tc
 Input: 100-130V ~ 0.5A 50/60Hz
 Pout: Max 25W Uout:5-50V
 Iout:300 - 900mA(Constant)
 ta:50°C tc:90°C

300mA	350mA	500mA	550mA	650mA	700mA	850mA	900mA
5-50V	5-50V	5-50V	5-45V	5-38V	5-35V	5-30V	5-28V
15W	17.5W	25W	24.8W	24.7W	24.5W	25.5W	25.2W

ZHUHAI SHENGCHANG ELECTRONICS CO.,LTD.
 Building 3, No.19, Yongqian Road, Qianshan Industrial Zone,
 Zhuhai City, Guangdong Province, China Made in China

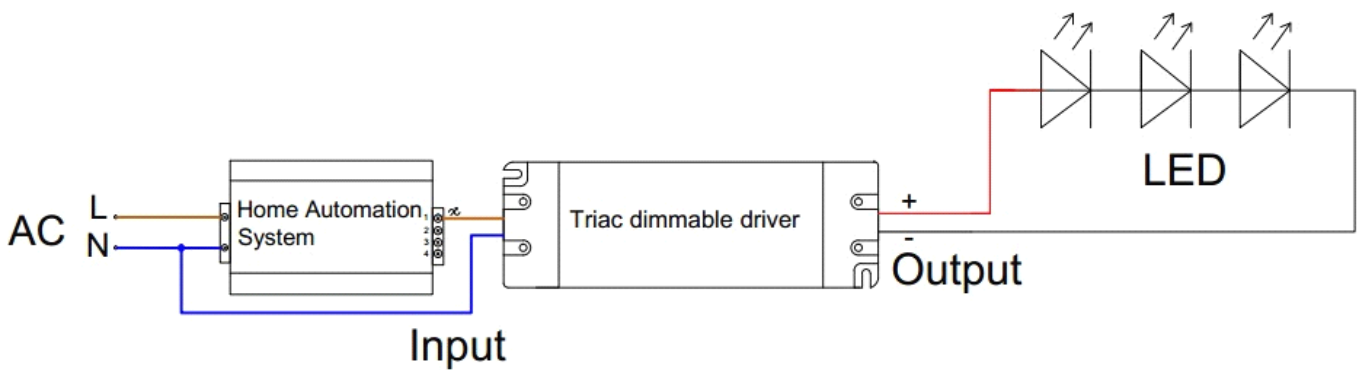
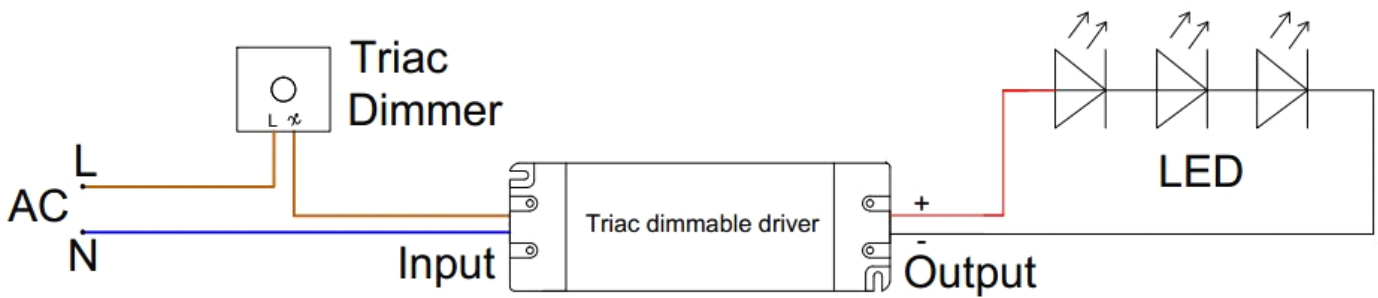
- ※Input with Live Wire AC (L), Neutral Wire AC(N)
- ※Output LED SEC output Positive (LED+) , output negative(LED-). Connected to LED Lamps.
- ※ Suggested wire diameter:Input 18-14AWG; Output:020-14AWG
- ※ Please make sure you connect these correctly otherwise your product will not function correctly and could be damaged.
- ※Note: Any other requests we can customized.

25W Triac dimmable LED driver ---Constant Current DIP Adjustment Multi-current output Series

■ Dimming Operation

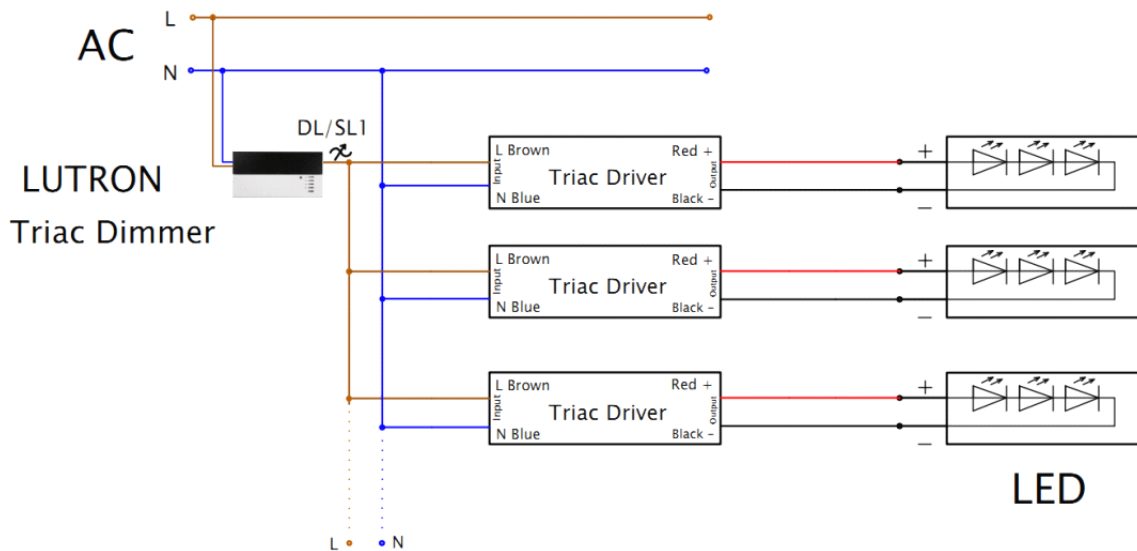
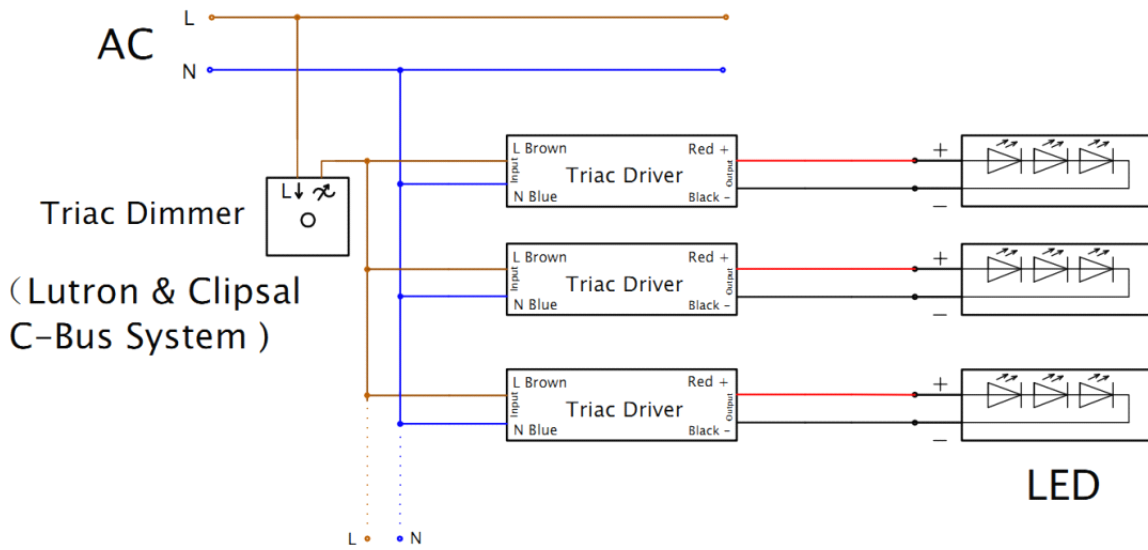
- ※The Pulse-Width Modulation (PWM) of output voltage can be adjusted through input terminal of the AC phase line(L) by connection a triac dimmer.
- ※Usually matching with leading edge/Forward Phase Triac Dimmers(Can customized as a driver only matching trailing edge/reverse phase Triac Dimmers if needed).
- ※Please try to use dimmers with power at least 3times as the output power of the driver.
- ※for Forward phase,Magnetic low voltage and Triac Dimmers

■ Connecting Diagram in Single (I)

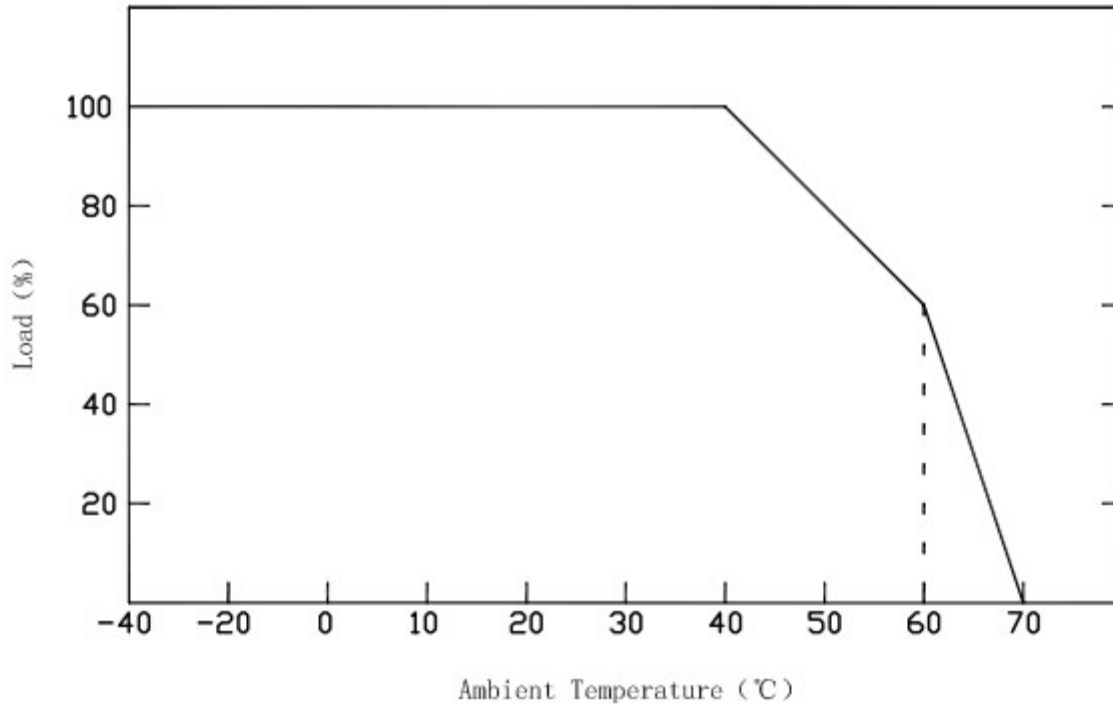


25W Triac dimmable LED driver ---Constant Current DIP Adjustment Multi-current output Series

■ Connecting Diagram in Multiple (II)



Derating Curve



※To extend their life, please refer to the Derating Curve and derate according to the temperature.

Instruction:

- 1.This driver should be installed by qualified and professional person;
- 2.Please make sure the transformer is installed with adequate ventilation around it to allow for heat dissipation.
- 3.Ensure that wiring is correct before test in order to avoid light and power supply damage;
- 4.If driver cannot work normally, please don't maintain privately;

Should you have any questions, please feel free to contact with Shengchang .