

15W Triac dimmable LED driver ---Constant Current DIP Adjustment Multi-current output Series

■ Features:



- Output constant current
- Input Range 100-130VAC
- Efficiency 82% Max
- Protections: short circuit/over load/ over current/
- Cooling by free air convection
- IP20 design for indoor installation .
- Dimming function: Triac dimmable Phase cut dimmable
- Dimming range from 0% to 100%
- Suitable for intelligent LED lighting
- Suitable for dry locations

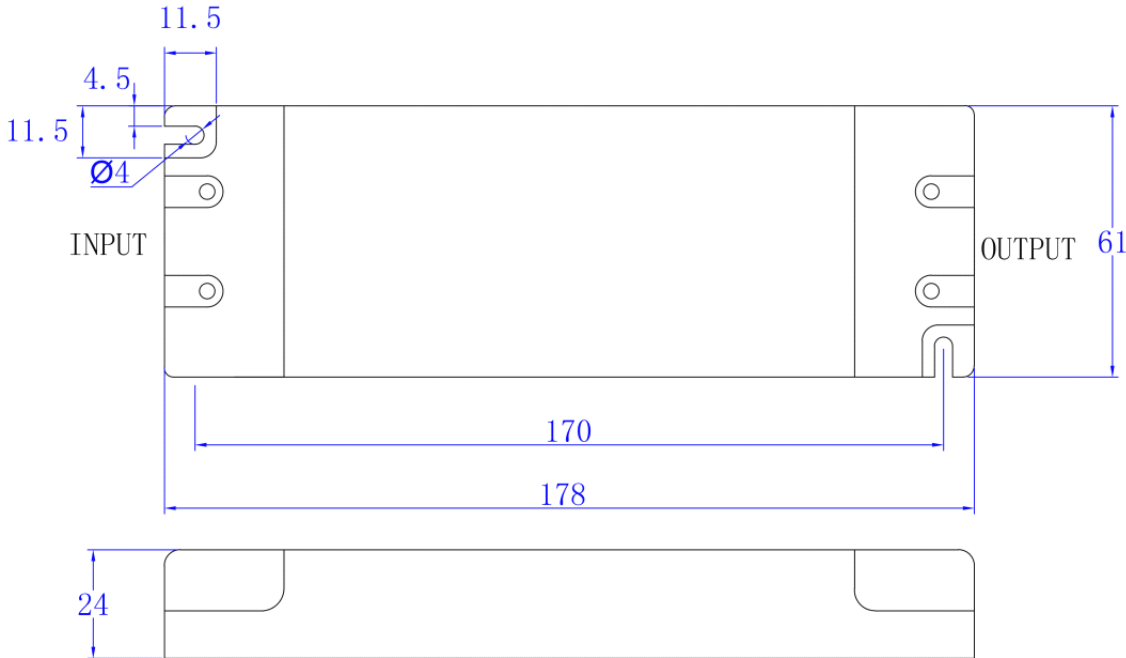
Specification

CE IP20 SELV

Model		KIP-050-TDL						
Output	Rated current	1400mA ● ● ●	1250mA ● ○ ●	1200mA ● ● ○	1050mA ● ○ ○	900mA ○ ○ ●	850mA ○ ● ○	700mA ○ ○ ○
	Current Tolerance	±5%						
	DC Voltage	10-36V	10-40V	10-42V	10-48V	10-50V	10-50V	10-50V
	Rated power	50.4W	50W	50.4W	50.4W	45W	42.5W	35W
Input	Rated Input Voltage	100-130VAC						
	Rated Frequency:	47-63HZ						
	Power Factor	PF≥0.65/100VAC PF≥0.65/120VAC PF≥0.65/130VAC(Full loading)						
	Full Load Efficiency(Typ)	81%	81%	81%	81%	82%	82%	82%
	AC Current(Max.)	0.96A	0.96A	0.96A	0.96A	0.85A	0.80A	0.66A
	Leakage current	<0.50mA						
Protection	Short Circuit	Protection type: Hiccup mode, recovers automatically after fault condition is removed						
	Output No-Load Voltage	52-60V						
	Over Load	≤ 120%						
Environ- ment	Working TEMP.	-40+60℃						
	Working Humidity	20-95%RH,non-condensing						
	Storage TEM. Humidity	-40+80℃,10-95%RH						
	TEMP. coefficient	±0.03%/℃(0-50℃)						
	Vibration	10-00Hz,5G 12min./1 cycle,period for 72min.each along X,Y,Z axes						
Safety & EMC	Safety standards	UL8750+UL1310						
	Withstand voltage	I/P-O/P:1500KVAC						
	Isolation resistance	I/P-O/P:100MΩ/500VDC/25℃/70%RH						
	EMC EMISSION	FCC Part 15 B						
Others	Weight	0.32Kg						
	Size	178*61*24mm(L*W*H)						
	packing	185*65*28mm inner box 290*215*240mm outside carton 20PCS/CTN						
Notes	1. All parameters NOT specially mentioned are measured at 120VAC input , rated load and 25℃ of ambient temperature. 2. Tolerance: includes set us tolerance, line regulation and load regulation .							

15W Triac dimmable LED driver ---Constant Current DIP Adjustment Multi-current output Series

■ Mechanical Specification



■ Label

LED Driver (TRIAC Dimming-Leading edge)

Multi Output Constant Current

Model: KIP-050-TDL • tc

Input: 100-130V~0.50A 50/60Hz

Pout: Max 50W Uout:10-50V

Iout: 700 - 1400mA(Constant)

ta:50°C tc:90°C

	700mA	850mA	900mA	1050mA	1150mA	1250mA	1300mA	1400mA
ON	10-50V	10-50V	10-50V	10-48V	10-43V	10-40V	10-38V	10-36V
OFF	10-50V	10-50V	10-50V	10-48V	10-43V	10-40V	10-38V	10-36V
Max. Power	35W	42.5W	45W	50.4W	49.5W	50W	49.4W	50.4W

ZHUHAI SHENGCHANG ELECTRONICS CO.,LTD.
 Building 3, No. 19, Yongtian Road, Qianshan Industrial Zone,
 Zhuhai City, Guangdong Province, China
 Made in China

CE, RoHS, REACH, IP20 SELV

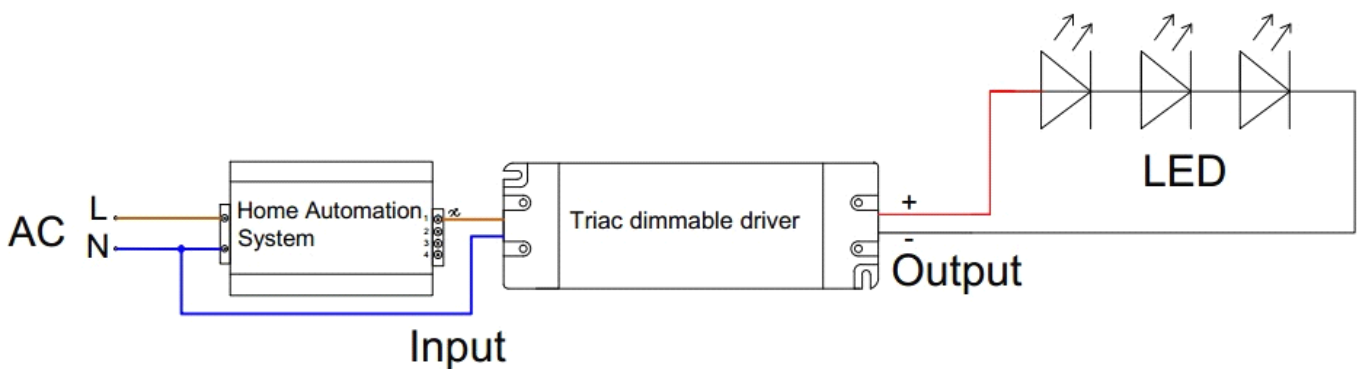
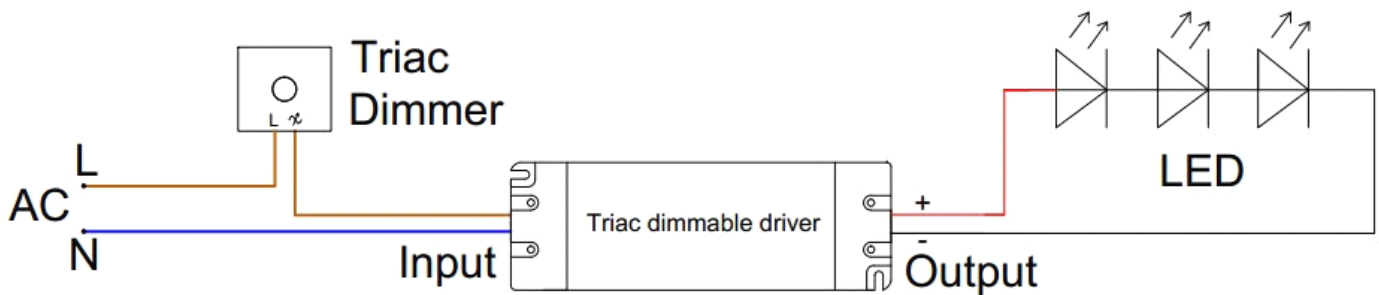
- ※Input with Live Wire AC (L), Neutral Wire AC(N)
- ※Output LED SEC output Positive (LED+), output negative(LED-). Connected to LED Lamps.
- ※ Suggested wire diameter:Input 18-14AWG; Output:020-14AWG
- ※ Please make sure you connect these correctly otherwise your product will not function correctly and could be damaged.
- ※Note: Any other requests we can customized.

15W Triac dimmable LED driver ---Constant Current DIP Adjustment Multi-current output Series

■ Dimming Operation

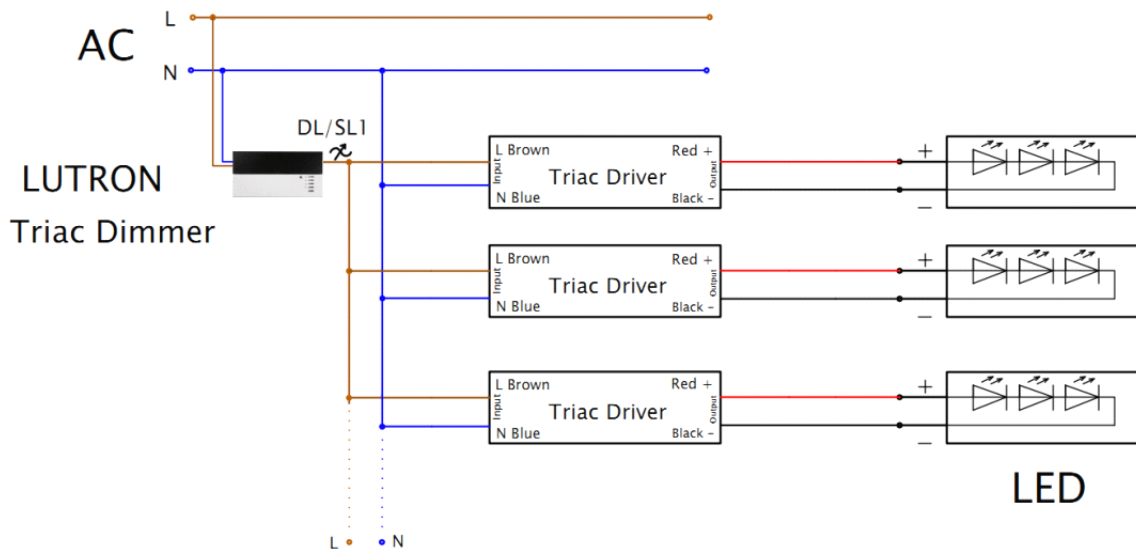
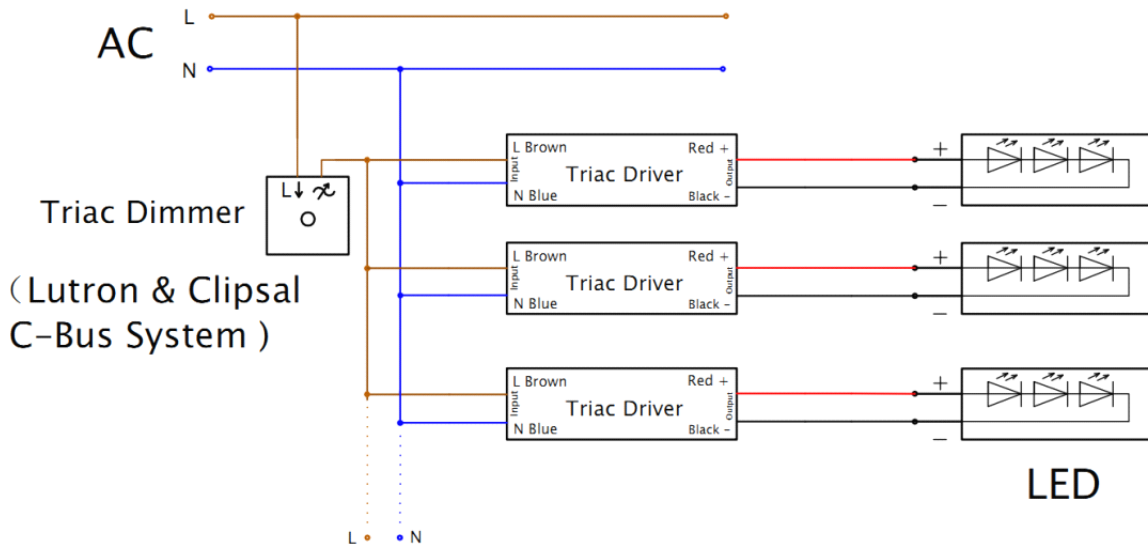
- ※The Pulse-Width Modulation (PWM) of output voltage can be adjusted through input terminal of the AC phase line(L) by connection a triac dimmer.
- ※Usually matching with leading edge/Forward Phase Triac Dimmers(Can customized as a driver only matching trailing edge/reverse phase Triac Dimmers if needed).
- ※Please try to use dimmers with power at least 3 times as the output power of the driver.
- ※for Forward phase,Magnetic low voltage and Triac Dimmers

■ Connecting Diagram in Single (I)

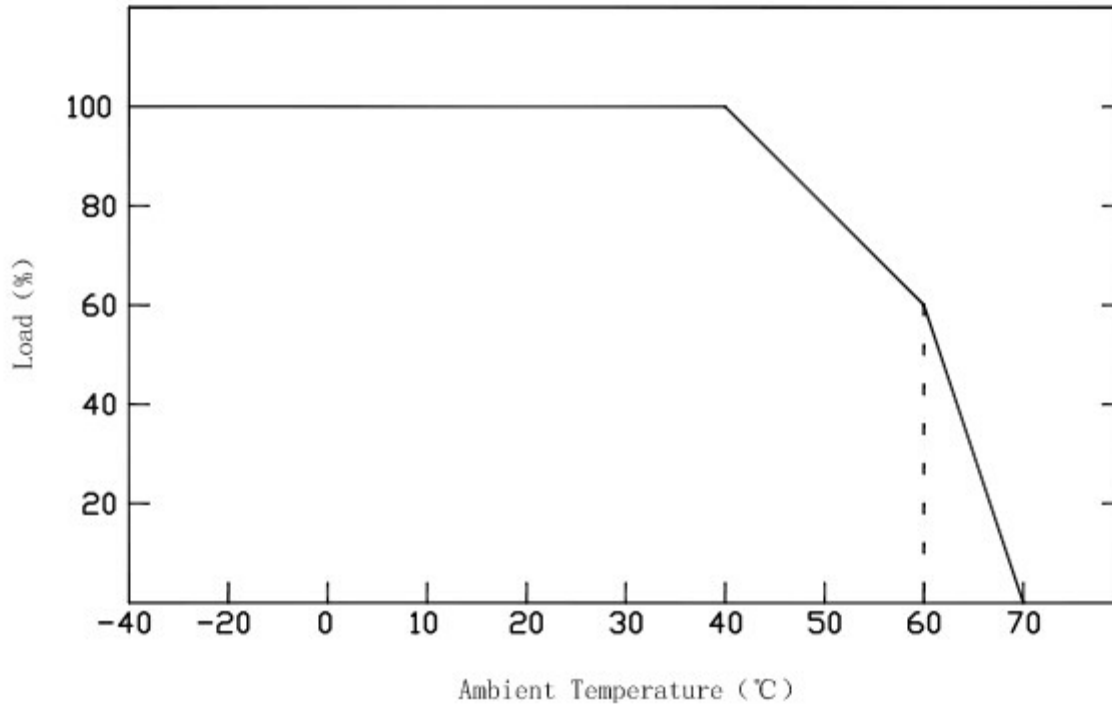


15W Triac dimmable LED driver ---Constant Current DIP Adjustment Multi-current output Series

■ Connecting Diagram in Multiple (II)



■Derating Curve



※To extend their life, please refer to the Derating Curve and derate according to the temperature.

■Instruction:

- 1.This driver should be installed by qualified and professional person;
- 2.Please make sure the transformer is installed with adequate ventilation around it to allow for heat dissipation.
- 3.Ensure that wiring is correct before test in order to avoid light and power supply damage;
- 4.If driver cannot work normally, please don't maintain privately;

Should you have any questions, please feel free to contact with Shengchang .