

Triac dimmable driver---Constant Current series10W (Slim case)



■ Features:

- Output constant current
- Range AC input :180-240VAC
- Built-in PFC function
- Efficiency :up to 78%
- Protections:short circuit/over loading/over voltage
- Full protection plastic housing easy installation
- IP20 design for indoor installation
- Cooling by free air convection
- Work with leading edge and trailing edge TRIAC dimmers
- Strong compatibility, flicker-free dimming
- Suitable for LED lighting and moving sign applications
- Suitable for dry locations

■ Specification

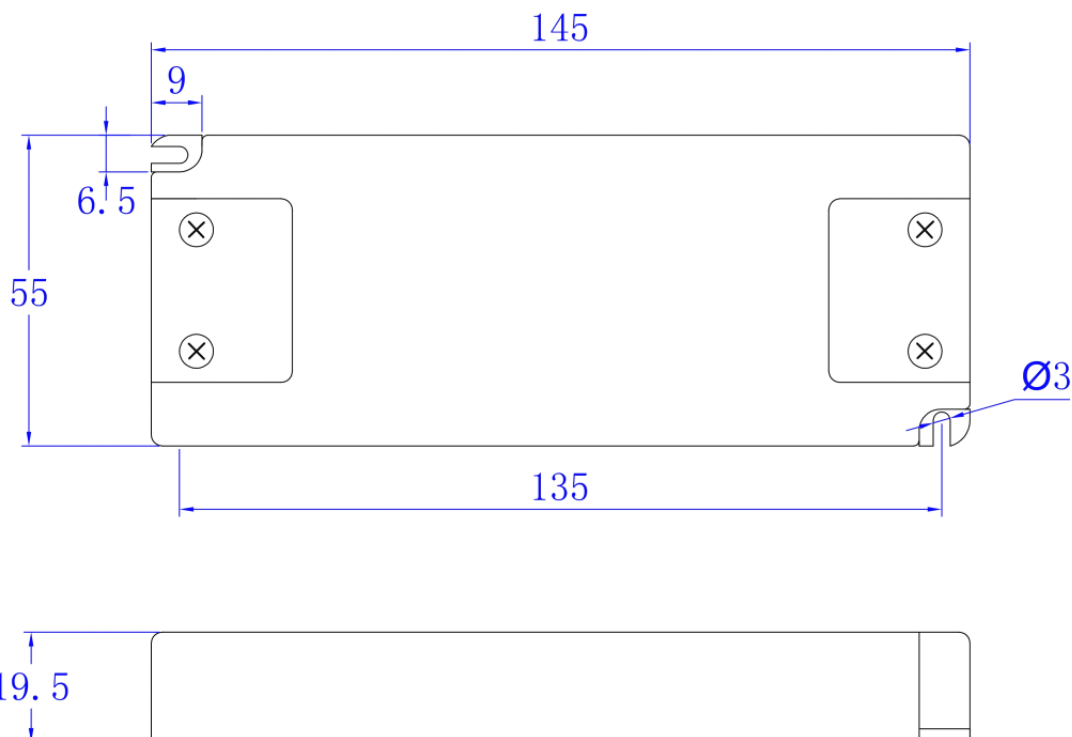


Model		KI-42300-TD	KI-36250-TD	KI-30350-TD	KI-20500-TD	KI-15700-TD	KI-12900-TD
Output	Rated current	300mA	250mA	350mA	500mA	700mA	900mA
	Current Tolerance	±5%					
	Voltage Range	26-42V	22-36V	18-30V	12-20V	9-15V	7-12V
	Rated power	12.6W	9W	10.5W	10W	10.5W	10.8W
Input	Voltage Range	180-240VAC					
	Frequency Range	47-63HZ					
	Power Factor	PF≥0.95/180VAC PF≥0.92/230VAC PF≥0.92/240VAC(Full loading)					
	Full Load Efficiency(Typ.)	78%	78%	78%	76%	76%	76%
	AC Current(Max.)	0.09A	0.07A	0.09A	0.08A	0.09A	0.09A
	Leakage current	<0.50mA					
Protection	Short Circuit	Hiccup mode, recovers automatically after fault condition is removed					
	Over Load	≤120%					
	Over Voltage	≤47V	≤41V	≤35V	≤25V	≤20V	≤17V
	Protection Class:	II					
Environment	Working TEMP.	-40-+60°C					
	Working Humidity	20-90%RH, non-condensing					
	Storage TEM.,Humidity	-40-+80°C,10~95%RH					
	TEMP.coefficient	±0.03%/°C(0-50°C)					
	Vibration	10 - 500Hz, 2G 12min./1 cycle, period for 72min.each along X,Y,Z axes.					
Safety & EMC	Safety standards	EN61347-1 EN61347-2-13					
	Withstand voltage	I/P-O/P:3.75KVAC					
	Isolation resistance	I/P-O/P:100MΩ/500VDC/25°C/70%RH					
	EMC EMISSION	EN55015,EN61000-3-2,3 (≥60%loading)					
	EMC IMMUNITY	EN61000-4-2,3,4,5,6 ,11,EN61547,A light industry level (surge4KV)					
Others	Net.Weight	0.2Kg					
	Size	145*55*19.5mm(L*W*H)					
	packing	160*60*23mm inner box 350*240*130mm/ 40PCS/ CTN					
Notes	1. All parameters NOT specially mentioned are measured at 230VAC input , rated load and 25°Cof ambient						

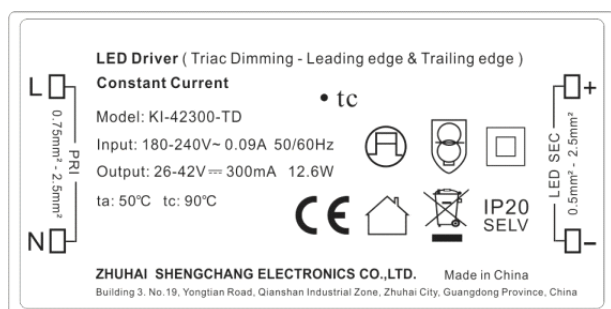
Triac dimmable driver---Constant Current series10W (Slim case)

	<p>temperature.</p> <ol style="list-style-type: none"> 2. Tolerance: includes set us tolerance, line regulation and load regulation . 3. The power supply is considered as a component that will be operated in combination with final Equipment. Since EMC performance will be affected by the complete installation, the final equipment manufactures must be-qualify EMC Directive on the complete installation again
--	--

■Mechanical Specification



■ Label



- ※Input with Live Wire AC (L), Neutral Wire AC(N)
- ※Output LED SEC output Positive (LED+) , output negative(LED-). Connected to LED Lamps.
- ※ Suggested wire diameter:Input 0.75-2.5mm²; Output:0.5-2.5mm².
- ※ Please make sure you connect these correctly otherwise your product will not function correctly and could be damaged.
- ※Note: Any other requests we can customized.

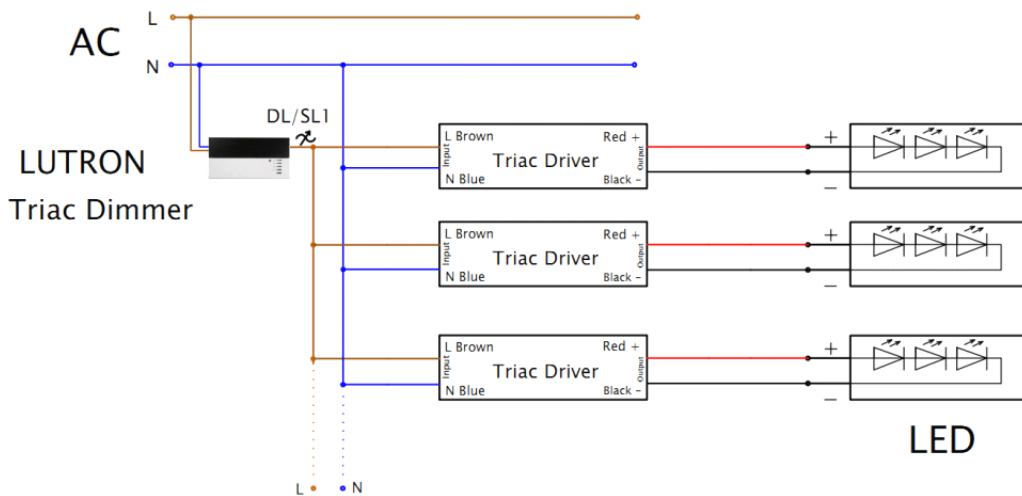
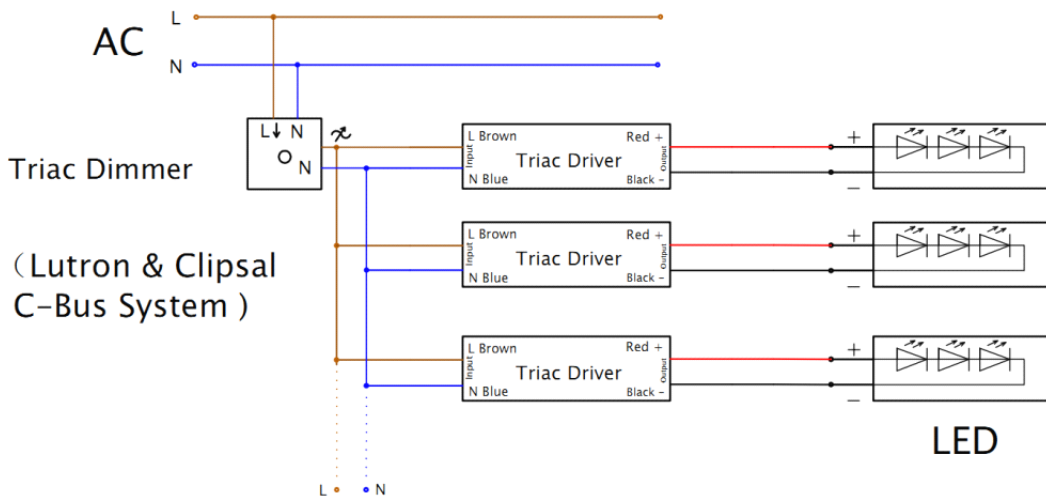
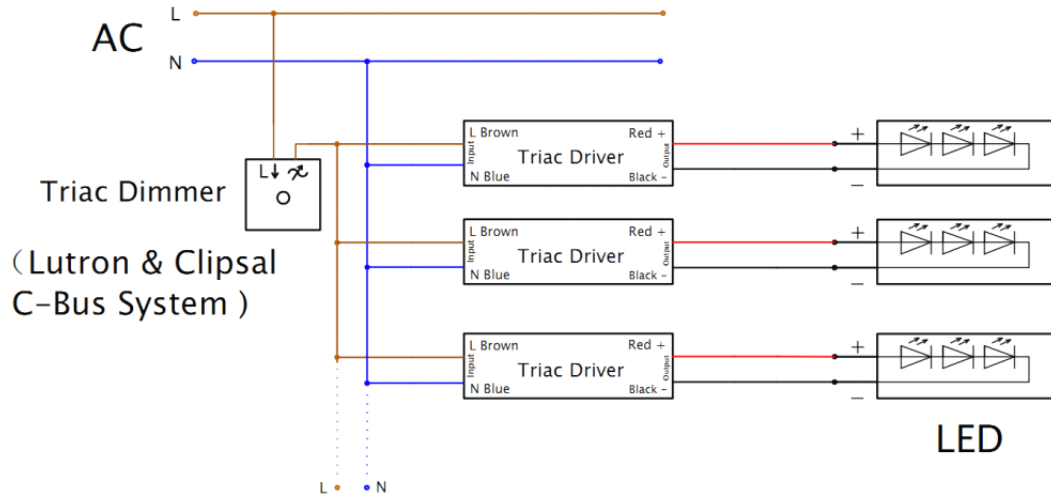
■Dimming Operation

- ※Output constant current level can be adjusted through input terminal of the AC phase line(L) by connection a triac dimmer.
- ※Compatible with Leading edge or tailing edge triac dimmers.

Triac dimmable driver---Constant Current series10W (Slim case)

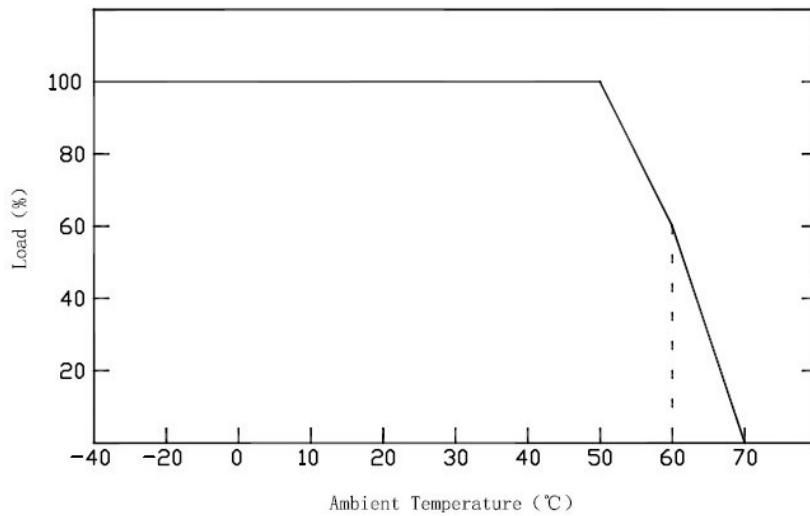
※please try to use the small power dimmer, have access to a wider dimming range, high-power dimmer is difficult to achieve the output current to zero.

■ Connecting Diagram



Triac dimmable driver---Constant Current series10W (Slim case)

Derating Curve



※To extend their life, please refer to the Derating Curve and derate according to the temperature.

Instruction:

- 1) This driver should be installed by qualified and professional person;
- 2) Please make sure the transformer is installed with adequate ventilation around it to allow for heat dissipation.
- 3) Ensure that wiring is correct before test in order to avoid light and power supply damage;
- 4) If driver cannot work normally, don't maintain privately; Have any question, please contact Shengchang.

Any other question please feel free to contact ZHUHAI SHENGCHANG ELETRONICS CO