

Triac dimmable driver---Constant Current series10W (Slim case)



■ Features:

- Output constant current
- Range AC input :180-240VAC
- Built-in PFC function
- Efficiency :up to 78%
- Protections:short circuit/over loading/over voltage
- Full protection plastic housing easy installation
- IP20 design for indoor installation
- Cooling by free air convection
- Work with leading edge and trailing edge TRIAC dimmers
- Strong compatibility, flicker-free dimming
- Suitable for LED lighting and moving sign applications
- Suitable for dry locations

■ Specification

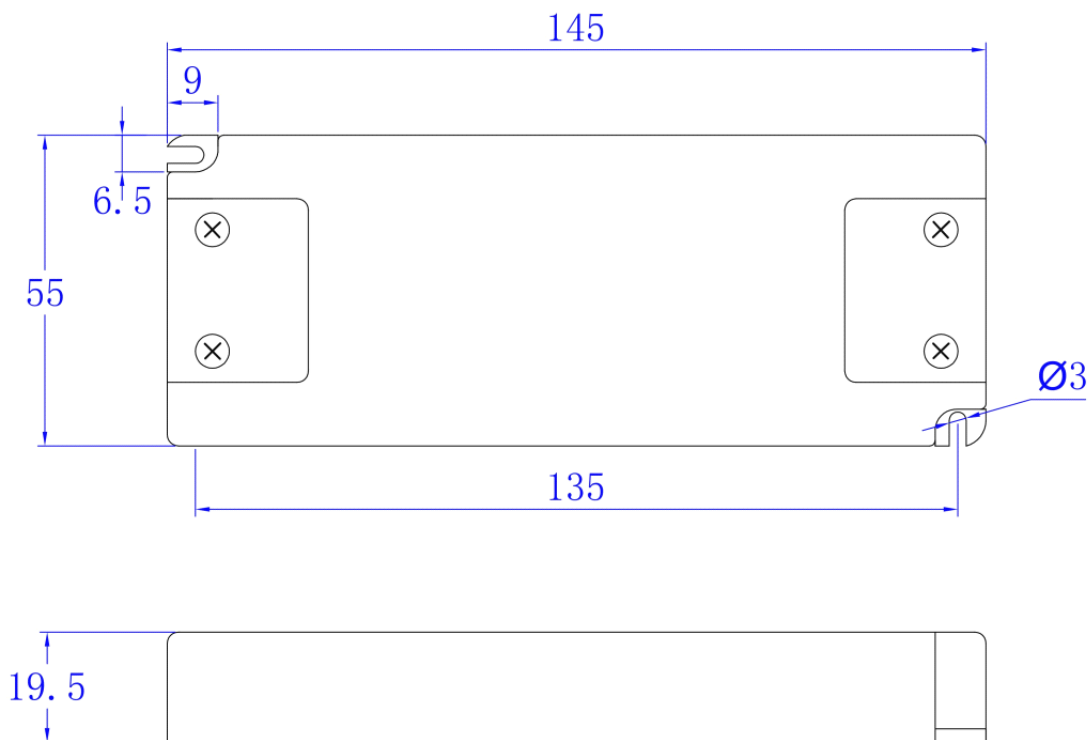


Model		KI-42300-TD	KI-36250-TD	KI-30350-TD	KI-25350-TD	KI-20500-TD
Output	Rated current	300mA	250mA	350mA	350mA	500mA
	Current Tolerance	±5%				
	Voltage Range	26-42V	22-36V	18-30V	15-25V	12-20V
	Rated power	12.6W	9W	10.5W	8.75W	10W
Input	Voltage Range	180-240VAC				
	Frequency Range	47-63HZ				
	Power Factor	PF≥0.95/180VAC PF≥0.92/230VAC PF≥0.92/240VAC (Full loading)				
	Full Load Efficiency(Typ.)	78%	78%	78%	76%	76%
	AC Current(Max.)	0.09A	0.07A	0.09A	0.07A	0.08A
	Leakage current	<0.50mA				
Protection	Short Circuit	Hiccup mode, recovers automatically after fault condition is removed				
	Over Load	≤120%				
	Over Voltage	≤47V	≤41V	≤35V	≤30V	≤25V
	Protection Class:	II				
Environment	Working TEMP.	-40-+60℃				
	Working Humidity	20-90%RH, non-condensing				
	Storage TEM.,Humidity	-40-+80℃,10-95%RH				
	TEMP.coefficient	±0.03%/℃(0-50℃)				
	Vibration	10 - 500Hz, 2G 12min./1 cycle, period for 72min.each along X,Y,Z axes.				
Safety & EMC	Safety standards	EN61347-1 EN61347-2-13				
	Withstand voltage	I/P-O/P:3.75KVAC				
	Isolation resistance	I/P-O/P:100MΩ/500VDC/25℃/70%RH				
	EMC EMISSION	EN55015,EN61000-3-2,3 (≥60%loading)				
	EMC IMMUNITY	EN61000-4-2,3,4,5,6 ,11,EN61547,A light industry level (surge4KV)				
Others	Net.Weight	0.2Kg				
	Size	145*55*19.5mm(L*W*H)				
	packing	160*60*23mm inner box 350*240*130mm/ 40PCS/ CTN				
Notes	1. All parameters NOT specially mentioned are measured at 230VAC input , rated load and 25℃of ambient					

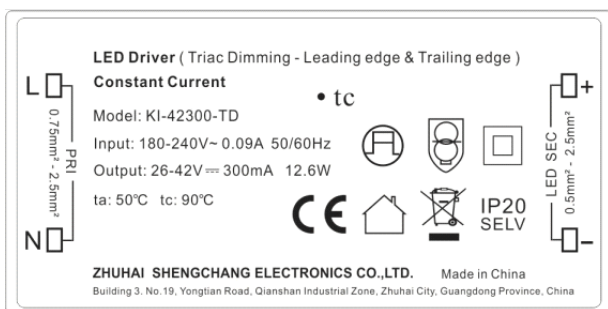
Triac dimmable driver---Constant Current series10W (Slim case)

	<p>temperature.</p> <ol style="list-style-type: none"> 2. Tolerance: includes set us tolerance, line regulation and load regulation . 3. The power supply is considered as a component that will be operated in combination with final Equipment. Since EMC performance will be affected by the complete installation, the final equipment manufactures must be-qualify EMC Directive on the complete installation again
--	--

■Mechanical Specification



■ Label



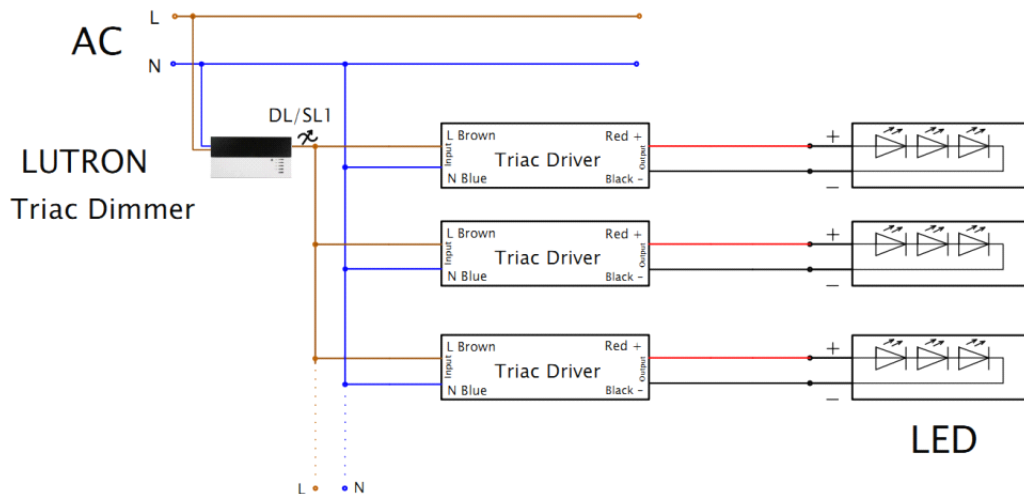
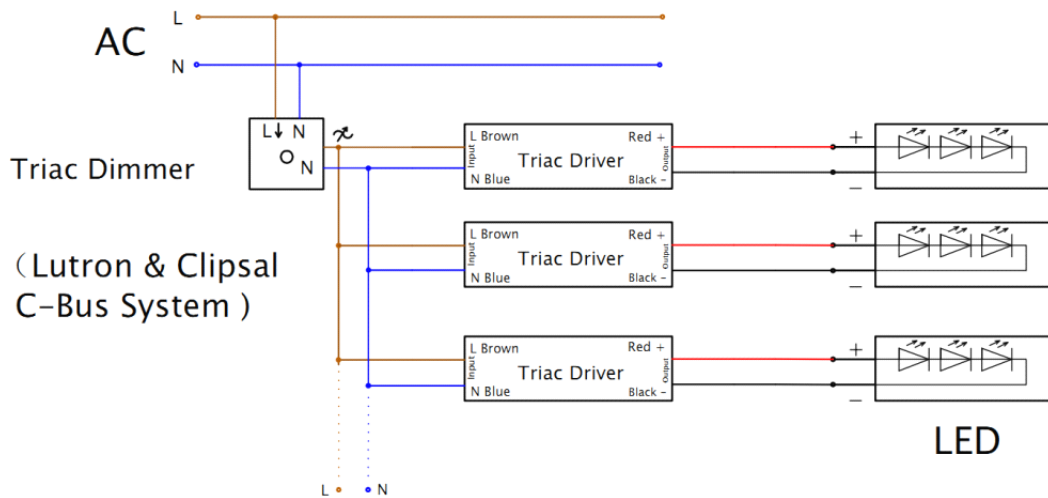
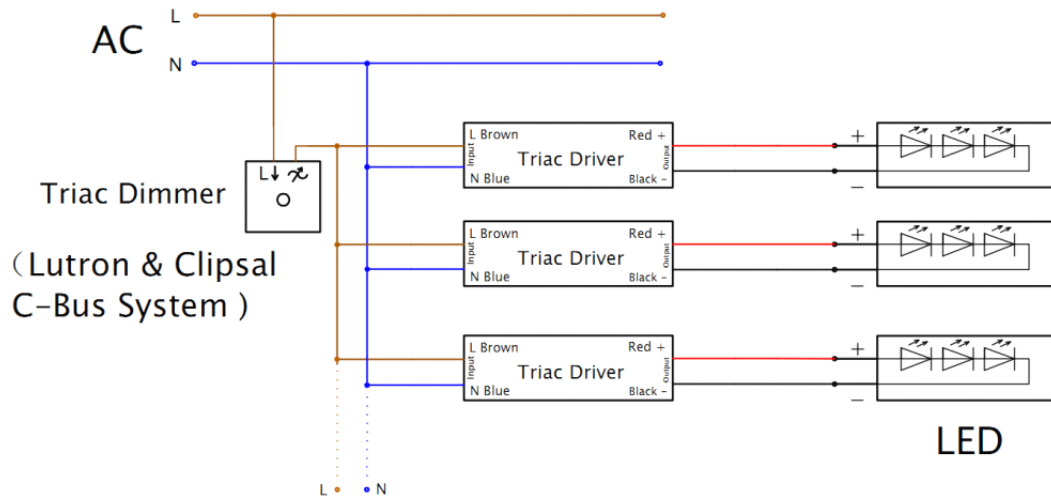
- ※Input with Live Wire AC (L), Neutral Wire AC(N)
- ※Output LED SEC output Positive (LED+) , output negative(LED-). Connected to LED Lamps.
- ※ Suggested wire diameter:Input 0.75-2.5mm²; Output:0.5-2.5mm².
- ※ Please make sure you connect these correctly otherwise your product will not function correctly and could be damaged.
- ※Note: Any other requests we can customized.

Triac dimmable driver---Constant Current series10W (Slim case)

■ Dimming Operation

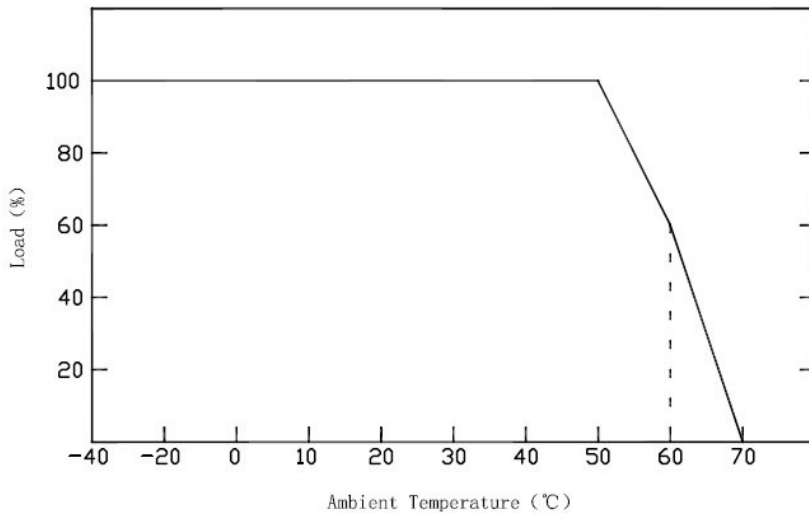
- ※Output constant current level can be adjusted through input terminal of the AC phase line(L) by connection a triac dimmer.
- ※Compatible with Leading edge or tailing edge triac dimmers.
- ※please try to use the small power dimmer, have access to a wider dimming range, high-power dimmer is difficult to achieve the output current to zero.

■ Connecting Diagram



Triac dimmable driver---Constant Current series10W (Slim case)

Derating Curve



※To extend their life, please refer to the Derating Curve and derate according to the temperature.

Instruction:

- 1) This driver should be installed by qualified and professional person;
- 2) Please make sure the transformer is installed with adequate ventilation around it to allow for heat dissipation.
- 3) Ensure that wiring is correct before test in order to avoid light and power supply damage;
- 4) If driver cannot work normally, don't maintain privately; Have any question, please contact Shengchang.

Any other question please feel free to contact ZHUHAI SHENGCHANG ELETRONICS CO