

Triac dimmable driver---Constant Current series20W



■ Features:

- Output constant current
- Range AC input :180-240VAC
- Built-in PFC function
- Efficiency :up to 78%
- Protections:short circuit/over loading/over current
- Full protection plastic housing easy installation
- IP20 design for indoor installation
- Cooling by free air convection
- Work with leading edge and trailing edge TRIAC dimmers
- Strong compatibility, flicker-free dimming
- Suitable for LED lighting and moving sign applications
- Suitable for dry locations

■ Specification

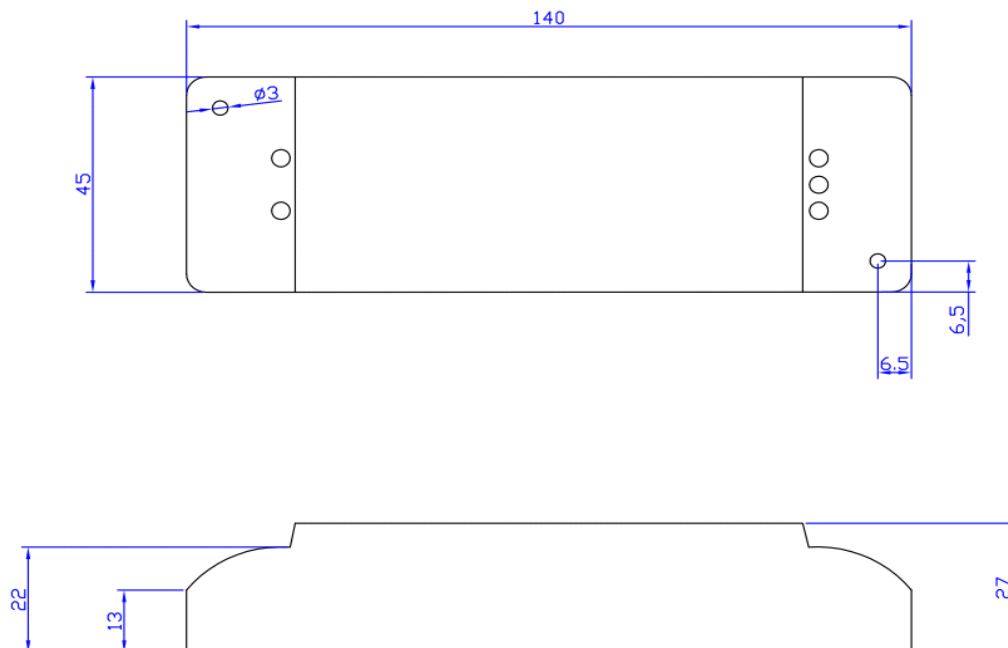


Model		KI-50350-TD	KI-50300-TD	KI-35500-TD	KI-25700-TD	KI-20900-TD
Output	Rated current	350mA	300mA	500mA	700mA	900mA
	Current Tolerance	±5%				
	Voltage Range	30-50V	30-50V	21-35V	15-25V	12-20V
	Rated power	17.5W	15W	17.5W	17.5W	18W
Input	Voltage Range	180-240VAC				
	Frequency Range	47-63HZ				
	Power Factor	PF≥0.95/180VAC PF≥0.92/230VAC PF≥0.92/240VAC(Full loading)				
	Full Load Efficiency(Typ.)	78%	78%	78%	78%	77%
	AC Current(Max.)	0.14A	0.12A	0.14A	0.14A	0.15A
	Leakage current	<0.50mA				
Protection	Short Circuit	Hiccup mode, recovers automatically after fault condition is removed				
	Over Load	≤120%				
	Over Voltage	≤55V	≤55V	≤40V	≤30V	≤25V
	Protection Class:	II				
Environment	Working TEMP.	-40-+60°C				
	Working Humidity	20-90%RH, non-condensing				
	Storage TEM.,Humidity	-40-+80°C,10~95%RH				
	TEMP.coefficient	±0.03%/°C(0-50°C)				
	Vibration	10 - 500Hz, 2G 12min./1 cycle, period for 72min.each along X,Y,Z axes.				
Safety & EMC	Safety standards	EN61347-1 EN61347-2-13				
	Withstand voltage	I/P-O/P:3.75KVAC				
	Isolation resistance	I/P-O/P:100MΩ/500VDC/25°C/70%RH				
	EMC EMISSION	EN55015,EN61000-3-2,3 (≥60%loading)				
	EMC IMMUNITY	EN61000-4-2,3,4,5,6 ,11,EN61547,A light industry level (surge4KV)				
Others	Net.Weight	0.19Kg				
	Size	140*45*22mm(L*W*H)				
	packing	145*50*36mm inner box 320*280*215mm/ 50PCS/ CTN				
Notes	1. All parameters NOT specially mentioned are measured at 230VAC input , rated load and 25°Cof ambient					

Triac dimmable driver---Constant Current series20W

	<p>temperature.</p> <ol style="list-style-type: none"> 2. Tolerance: includes set us tolerance, line regulation and load regulation . 3. The power supply is considered as a component that will be operated in combination with final Equipment. Since EMC performance will be affected by the complete installation, the final equipment manufactures must be-qualify EMC Directive on the complete installation again
--	--

■Mechanical Specification



■ Label



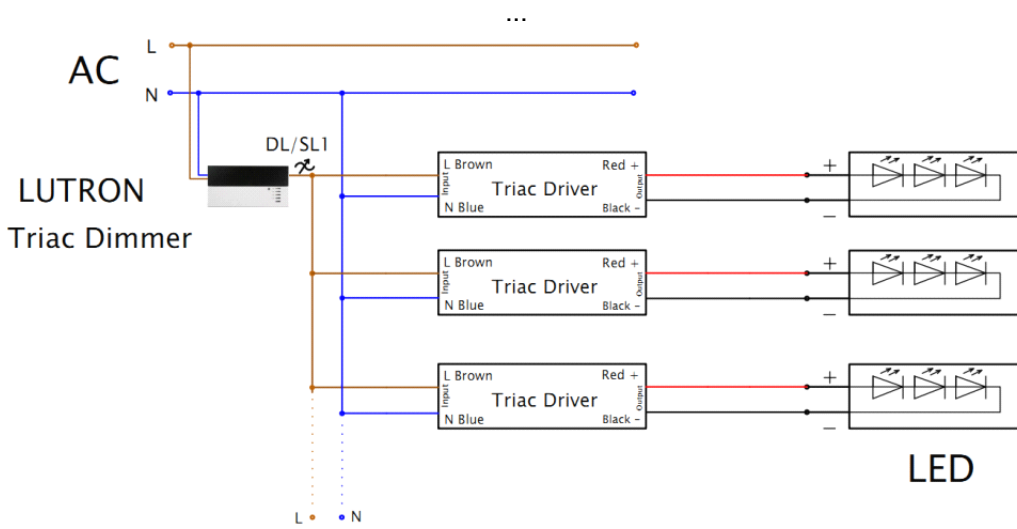
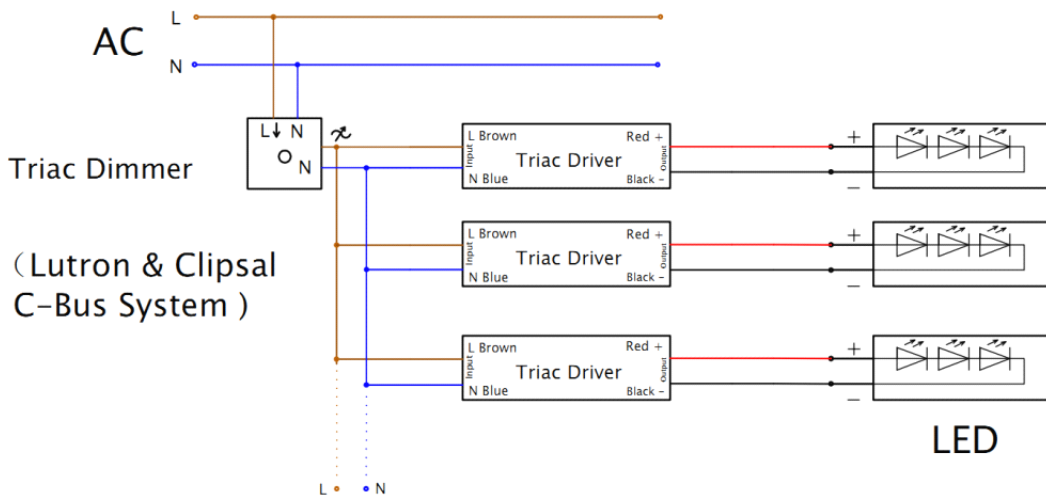
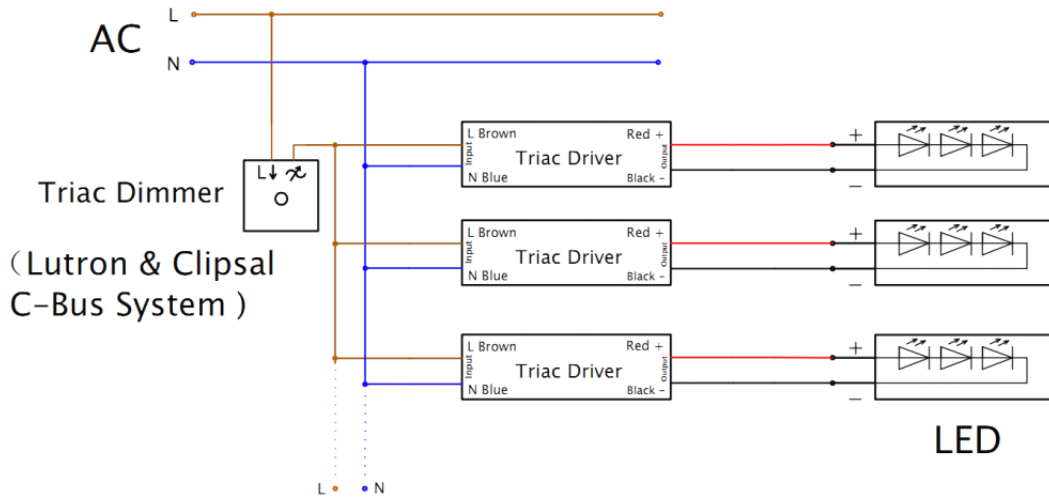
- ※Input with Live Wire AC (L), Neutral Wire AC(N)
- ※Output LED SEC output Positive (LED+) , output negative(LED-). Connected to LED Lamps.
- ※ Suggested wire diameter:Input 0.75-2.5mm²; Output:0.5-2.5mm².
- ※ Please make sure you connect these correctly otherwise your product will not function correctly and could be damaged.
- ※Note: Any other requests we can customized.

■Dimming Operation

- ※Output constant current level can be adjusted through input terminal of the AC phase line(L) by connection a triac dimmer.
- ※Compatible with Leading edge or tailing edge triac dimmers.
- ※please try to use the small power dimmer, have access to a wider dimming range, high-power dimmer is difficult to achieve the output current to zero.

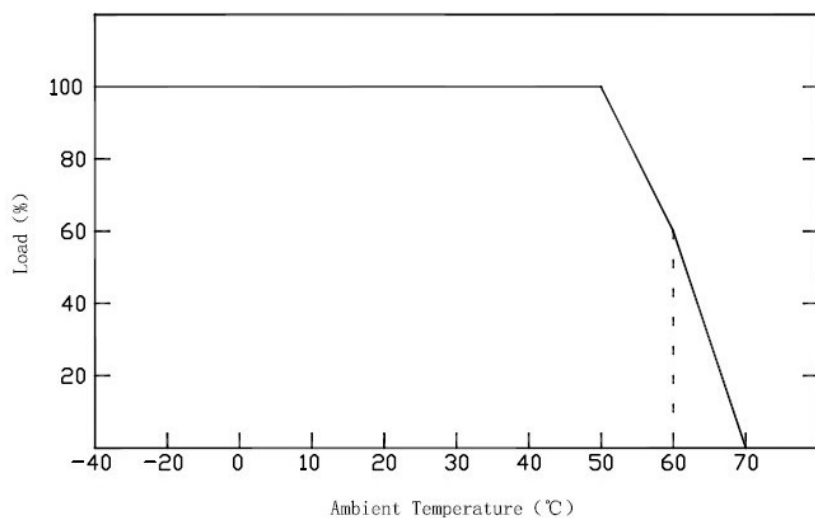
Triac dimmable driver---Constant Current series20W

■ Connecting Diagram



Triac dimmable driver---Constant Current series20W

Derating Curve



※To extend their life, please refer to the Derating Curve and derate according to the temperature.

Instruction:

- 1) This driver should be installed by qualified and professional person;
- 2) Please make sure the transformer is installed with adequate ventilation around it to allow for heat dissipation.
- 3) Ensure that wiring is correct before test in order to avoid light and power supply damage;
- 4) If driver cannot work normally, don't maintain privately; Have any question, please contact Shengchang.

Any other question please feel free to contact ZHUHAI SHENGCHANG ELETRONICS CO