

# Triac dimmable driver---Constant Current series36W -SAA

## ■ Features:

- Output constant current
- Range AC input :180-240VAC
- Built-in PFC function
- Efficiency :up to 86%
- Protections:short circuit/over loading/over voltage
- Full protection plastic housing easy installation
- IP20 design for indoor installation
- Cooling by free air convection
- Work with leading edge and trailing edge TRIAC dimmers
- Strong compatibility, flicker-free dimming
- Suitable for LED lighting and moving sign applications
- Suitable for dry locations



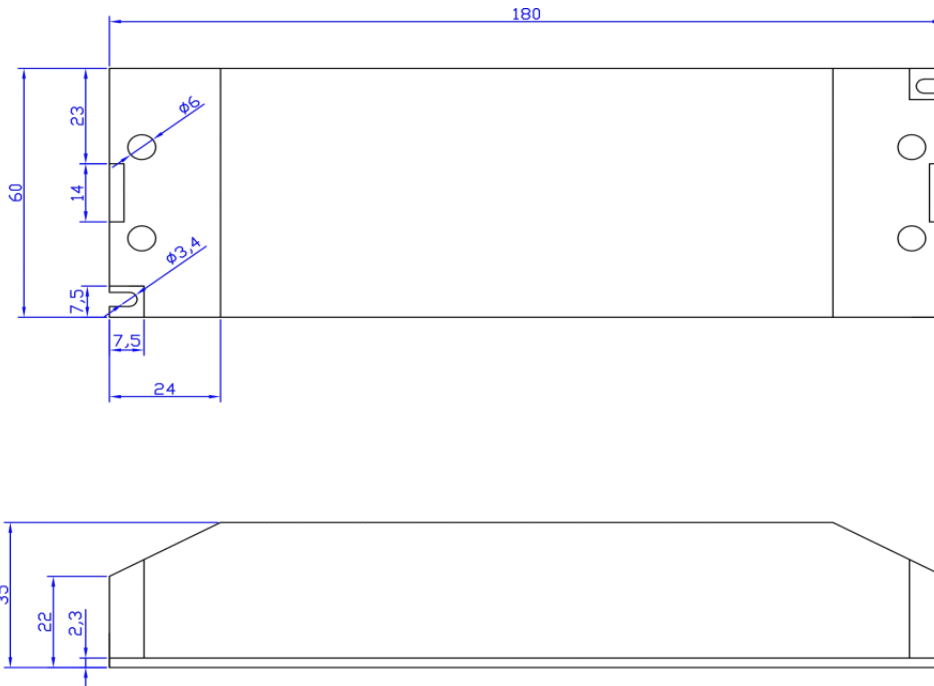
## ■ Specification

Model		KI-55700-TD	KI-50700-TD	KI-42900-TD	KI-42840-TD	KI-361050-TD
<b>Output</b>	Rated current	700mA	700mA	900mA	840mA	1050mA
	Current Tolerance	±5%				
	Voltage Range	30-55V	30-50V	25-42V	25-42V	22-36V
	Rated power	38.5W	35W	37.8W	35.28W	37.8W
<b>Input</b>	Voltage Range	180-240VAC				
	Frequency Range	47-63HZ				
	Power Factor	PF≥0.95/180VAC PF≥0.92/230VAC PF≥0.92/240VAC(Full loading)				
	Full Load Efficiency(Typ.)	86%	86%	86%	86%	86%
	AC Current(Max.)	0.27A	0.24A	0.26A	0.25A	0.26A
	Leakage current	<0.50mA				
<b>Protection</b>	Short Circuit	Hiccup mode, recovers automatically after fault condition is removed				
	Over Load	≤120%				
	Over Voltage	≤60V	≤55V	≤47V	≤47V	≤40V
	Protection Class:	II				
<b>Environment</b>	Working TEMP.	-40-+60℃				
	Working Humidity	20-90%RH, non-condensing				
	Storage TEM.,Humidity	-40-+80℃,10~95%RH				
	TEMP.coefficient	±0.03%/℃(0-50℃)				
	Vibration	10 - 500Hz, 2G 12min./1 cycle, period for 72min.each along X,Y,Z axes.				
<b>Safety &amp;EMC</b>	Safety standards	EN61347-1 EN61347-2-13 IP66				
	Withstand voltage	I/P-O/P:3.75KVAC				
	Isolation resistance	I/P-O/P:100MΩ/500VDC/25℃/70%RH				
	EMC EMISSION	EN55015,EN61000-3-2,3 (≥60%loading)				
	EMC IMMUNITY	EN61000-4-2,3,4,5,6,11,EN61547,A light industry level (Surge 4KV)				
<b>Others</b>	Net.Weight	0.45KG				
	Size	180*60*35mm(L*W*H)				
	packing	185*65*45mm(inner box) 355*215*215mm/20 pcs /CTN				
<b>Notes</b>	1. All parameters NOT specially mentioned are measured at 230VAC input , rated load and 25℃of ambient temperature.					

# Triac dimmable driver---Constant Current series36W -SAA

2. Tolerance: includes set us tolerance, line regulation and load regulation .
3. The power supply is considered as a component that will be operated in combination with final Equipment. Since EMC performance will be affected by the complete installation, the final equipment manufactures must be-qualify EMC Directive on the complete installation again

## ■Mechanical Specification



## ■ Label



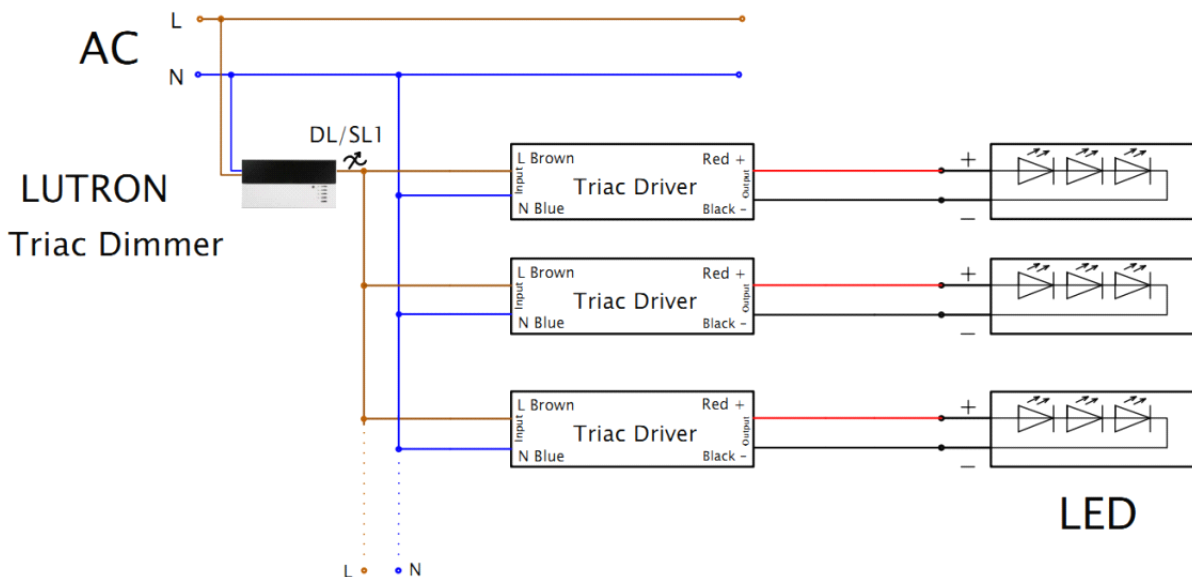
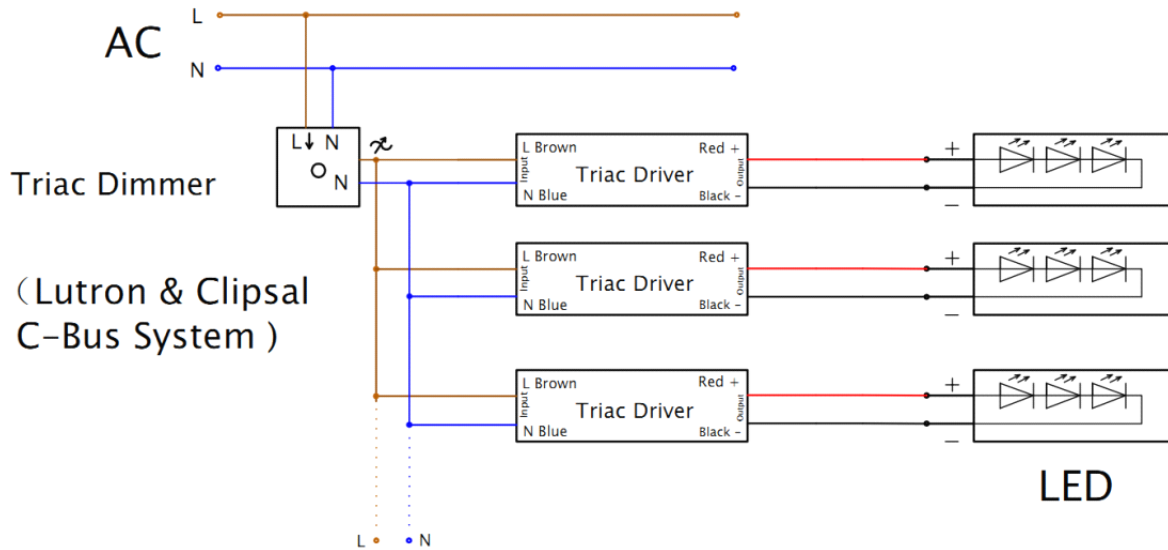
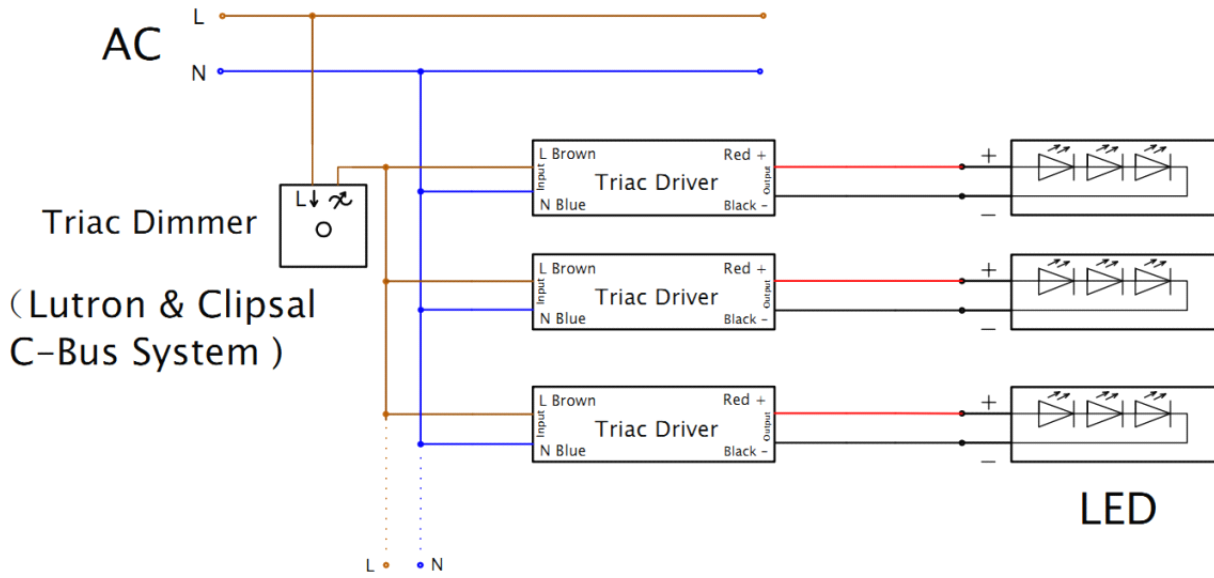
- ※Input with Live Wire AC (L), Neutral Wire AC(N)
- ※Output LED SEC output Positive (LED+) , output negative(LED-). Connected to LED Lamps.
- ※ Suggested wire diameter:Input 0.75-4.0mm<sup>2</sup>; Output:0.5-4.0mm<sup>2</sup>.
- ※ Please make sure you connect these correctly otherwise your product will not function correctly and could be damaged.
- ※Note: Any other requests we can customized.

## ■Dimming Operation

- ※Output constant current level can be adjusted through input terminal of the AC phase line(L) by connection a triac dimmer.
- ※Compatible with Leading edge or tailing edge triac dimmers.
- ※please try to use the small power dimmer, have access to a wider dimming range, high-power dimmer is difficult to achieve the output current to zero.

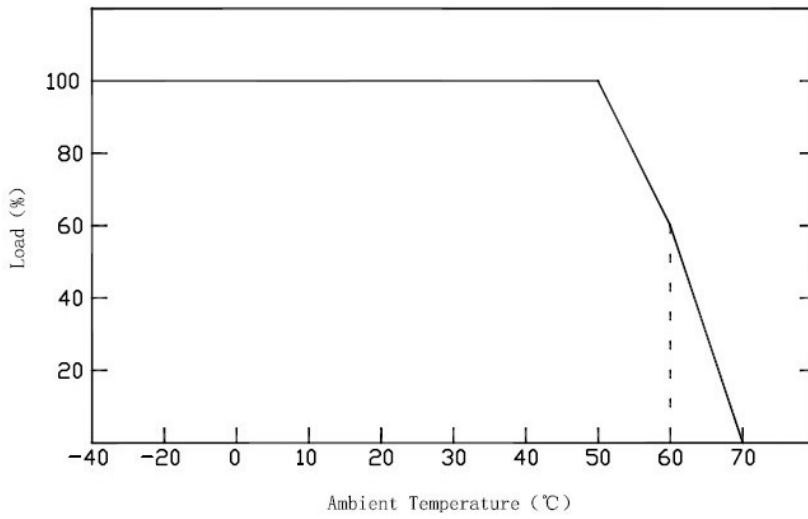
# Triac dimmable driver---Constant Current series36W -SAA

## ■ Connecting Diagram



# Triac dimmable driver---Constant Current series36W -SAA

## Derating Curve



※To extend their life, please refer to the Derating Curve and derate according to the temperature.

## Instruction:

- 1) This driver should be installed by qualified and professional person;
- 2) Please make sure the transformer is installed with adequate ventilation around it to allow for heat dissipation.
- 3) Ensure that wiring is correct before test in order to avoid light and power supply damage;
- 4) If driver cannot work normally, don't maintain privately; Have any question, please contact Shengchang.

Any other question please feel free to contact ZHUHAI SHENGCHANG ELETRONICS CO