

Triac dimmable driver---Constant Current series 60W (SAA)

■ Features:



- Output constant current
- Range AC input :180-240VAC
- Built-in active PFC function
- Efficiency :up to 86%
- Protections:short circuit/over loading/over voltage over temperature
- Full protection aluminum housing easy installation
- IP66 design for outdoor installation
- Cooling by free air convection
- Work with leading edge and trailing edge TRIAC dimmers
- Strong compatibility, flicker-free dimming
- Suitable for LED lighting and moving sign applications



■ Specification

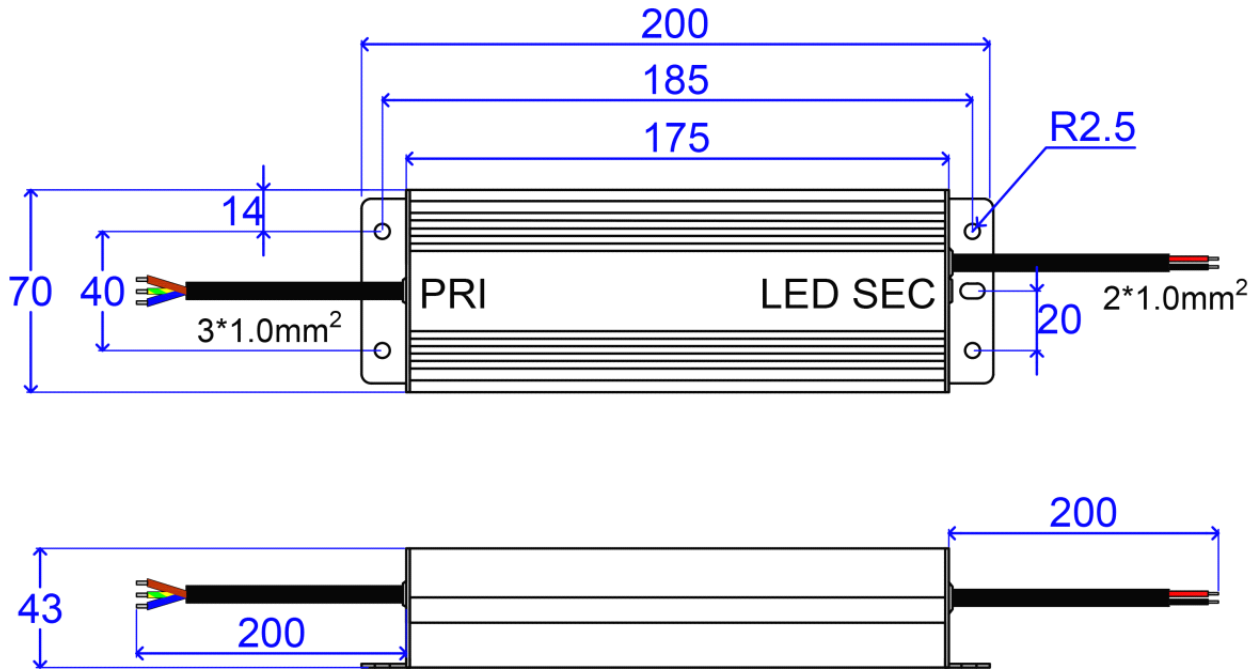
Model		KI-421400-TD	KI-361750-TD
Output	Rated current	1400mA	1750mA
	Current Tolerance	±5%	
	Voltage Range	25-42V	20-36V
	Rated power	58.8W	63W
Input	Voltage Range	180-240VAC	
	Frequency Range	47-63HZ	
	Power Factor	PF≥0.95/180VAC	PF≥0.92/230VAC PF≥0.92/240VAC(Full loading)
	Full Load Efficiency(Typ.)	86%	86%
	AC Current(Max.)	0.42A	0.46A
	Leakage current	<0.50mA	
Protection	Short Circuit	Hiccup mode, recovers automatically after fault condition is removed	
	Over Load	≤ 120%	
	Over Voltage	≤47V	≤41V
	Protection Class:	I	
	Over temperature	100℃±10℃ shut down o/p voltage ,re-power on to recover	
Environment	Working TEMP.	-40-+60℃	
	Working Humidity	20-95% RH,non-condensing	
	Storage TEM.,Humidity	-40-+80℃,10~95%RH	
	TEMP.coefficient	±0.03%/℃(0-50℃)	
	Vibration	10 - 500Hz, 2G 12min./1 cycle, period for 72min.each along X,Y,Z axes.	
Safety & EMC	Safety standards	EN61347-1 EN61347-2-13 IP66	
	Withstand voltage	I/P-O/P:3.75KVAC I/P-FG:1.88KVAC O/P-FG:0.5KVAC	
	Isolation resistance	I/P-O/P I/P-FG O/P-FG:100MΩ/500VDC/25℃/70%RH	
	EMC EMISSION	EN55015,EN61000-3-2,3 (≥60%loading)	
	EMC IMMUNITY	EN61000-4-2,3,4,5,6,11,EN61547,A light industry level (Surge 4KV)	
Others	Net.Weight	0.95 Kg	
	Size	200*70*43mm (L*W*H)	
	packing	204*73*58mm inner box 310*240*165mm / 10PCS/ CTN	
Notes	1. All parameters NOT specially mentioned are measured at 230VAC input , rated load and 25℃of ambient		

Triac dimmable driver---Constant Current series 60W (SAA)

temperature.

2. Tolerance: includes set us tolerance, line regulation and load regulation .
3. The power supply is considered as a component that will be operated in combination with final Equipment. Since EMC performance will be affected by the complete installation, the final equipment manufactures must be-qualify EMC Directive on the complete installation again

■Mechanical Specification



■ Label

Input ● L Brown ● N Blue Y/G Made in China	ZHUHAI SHENGCHANG ELECTRONICS CO.,LTD. LED Driver (Triac Dimming - Leading edge & Trailing edge) Constant Current Model: KI-421400-TD Input: 180-240V~ 0.32A 50/60Hz Output: 25-42V--- 1400mA Max. output voltage:47V--- ta: 40°C tc: 70°C For LED module only Prated:58.8W Building 3, No.19, Yongtian Road, Qianshan Industrial Zone, Zhuhai City, Guangdong Province, China	• tc 	+ Red ● - Black ● Output
---	--	----------	---------------------------------------

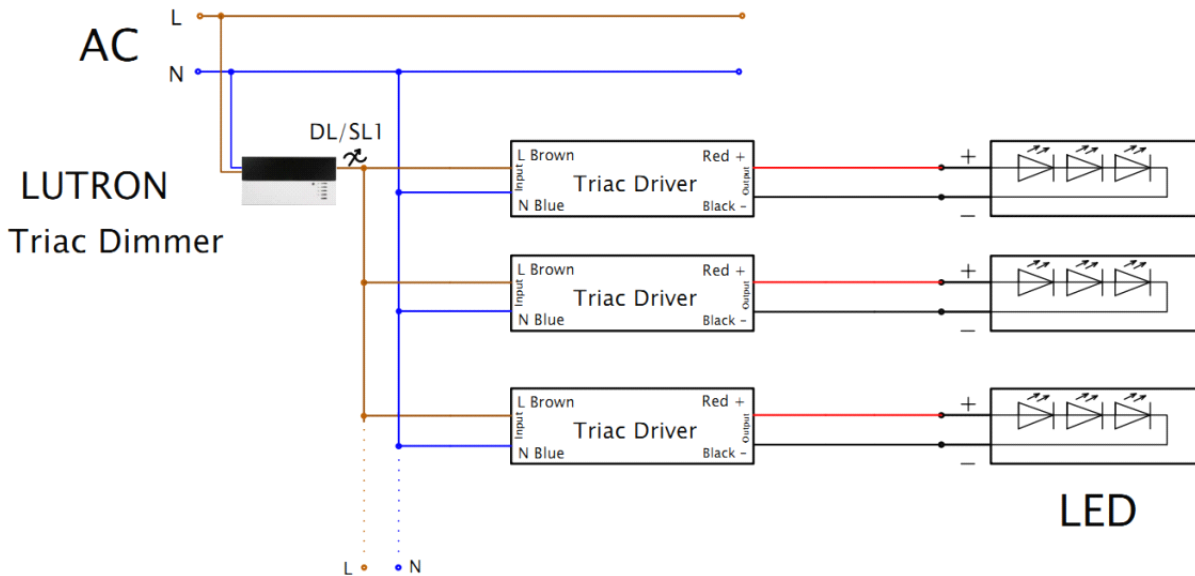
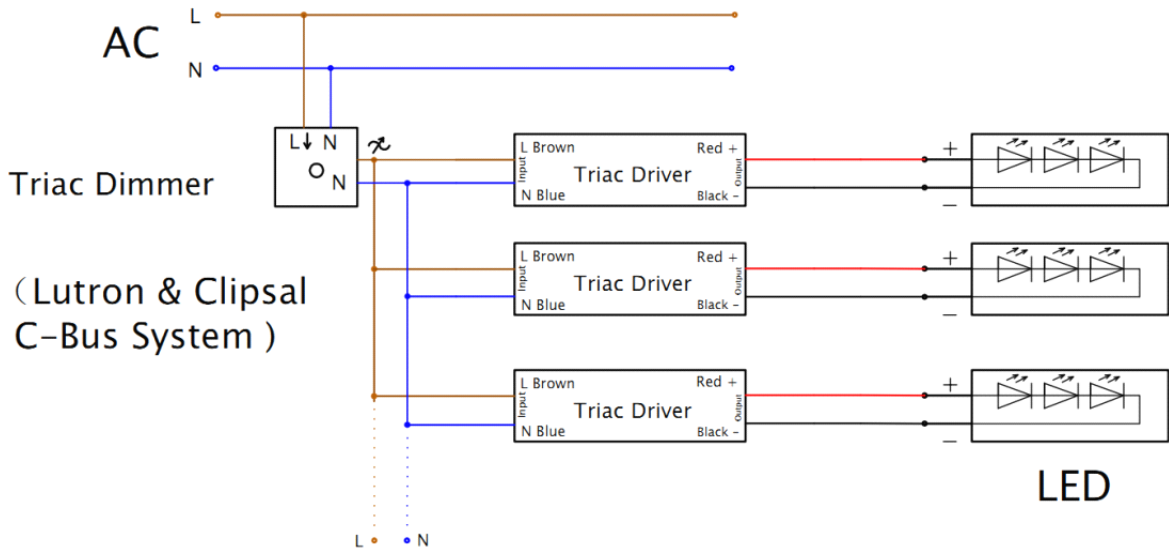
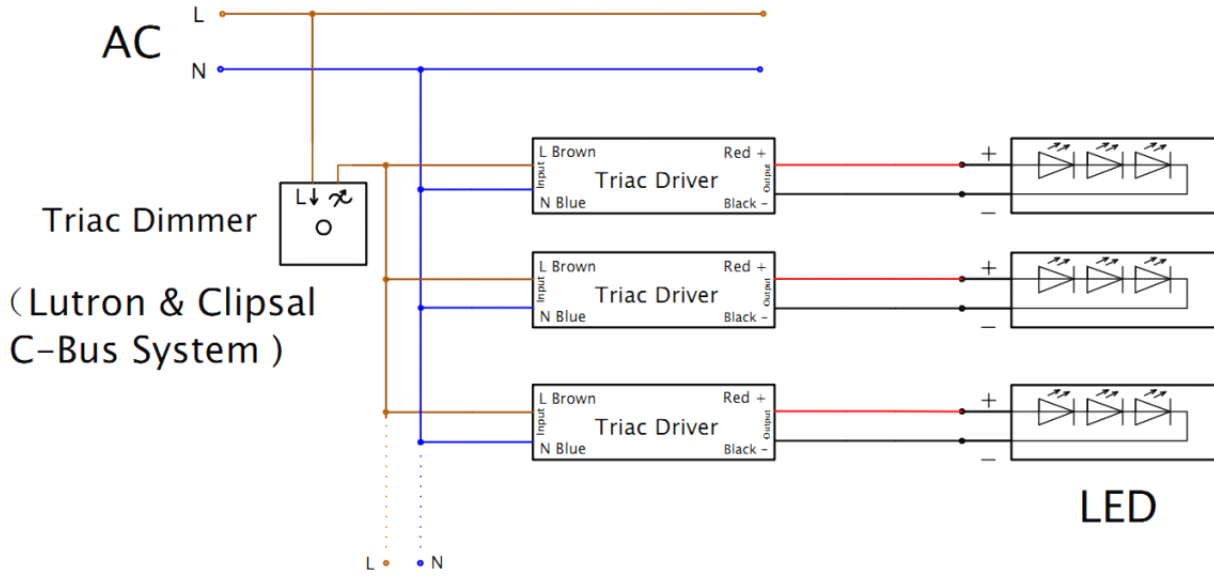
- ※Input Rubber cable H05RN-F 3G 1.0mm²,the green /yellow cable connect with (FG),Brown with AC (L),Blue with AC(N)
- ※Output Rubber cable H05RN-F2 1.0mm²,Red is output(V+) Positive,Black is output (V-) negative.Connected to LED Lamps.
- ※Please make sure you connect these correctly otherwise your product will not function correctly and could be damaged.
- ※Note: Any other requests we can customized.

■Dimming Operation

- ※Output constant current level can be adjusted through input terminal of the AC phase line(L) by connection a triac dimmer.
- ※Compatible with Leading edge or tailing edge triac dimmers.
- ※please try to use the small power dimmer, have access to a wider dimming range, high-power dimmer is difficult to achieve the output current to zero.

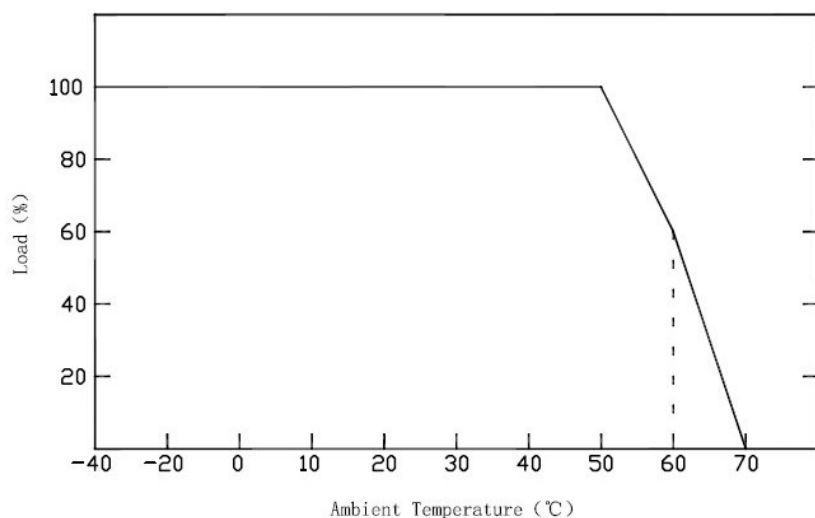
Triac dimmable driver---Constant Current series 60W (SAA)

■ Connecting Diagram



Triac dimmable driver---Constant Current series 60W (SAA)

Derating Curve



※To extend their life, please refer to the Derating Curve and derate according to the temperature.

Instruction:

- 1) This driver should be installed by qualified and professional person;
- 2) Please make sure the transformer is installed with adequate ventilation around it to allow for heat dissipation.
- 3) Ensure that wiring is correct before test in order to avoid light and power supply damage;
- 4) If driver cannot work normally, don't maintain privately; Have any question, please contact Shengchang.

Any other question please feel free to contact ZHUHAI SHENGCHANG ELETRONICS CO