

Triac dimmable driver---Constant Current series45W (SAA)

■ Features:

- Output constant current
- Range AC input :180-240VAC
- Built-in PFC function
- Efficiency :up to 86%
- Protections:short circuit/over loading/over voltage
- Full protection plastic housing easy installation
- IP20 design for indoor installation
- Cooling by free air convection
- Work with leading edge and trailing edge TRIAC dimmers
- Strong compatibility, flicker-free dimming
- Suitable for LED lighting and moving sign applications
- Suitable for dry locations



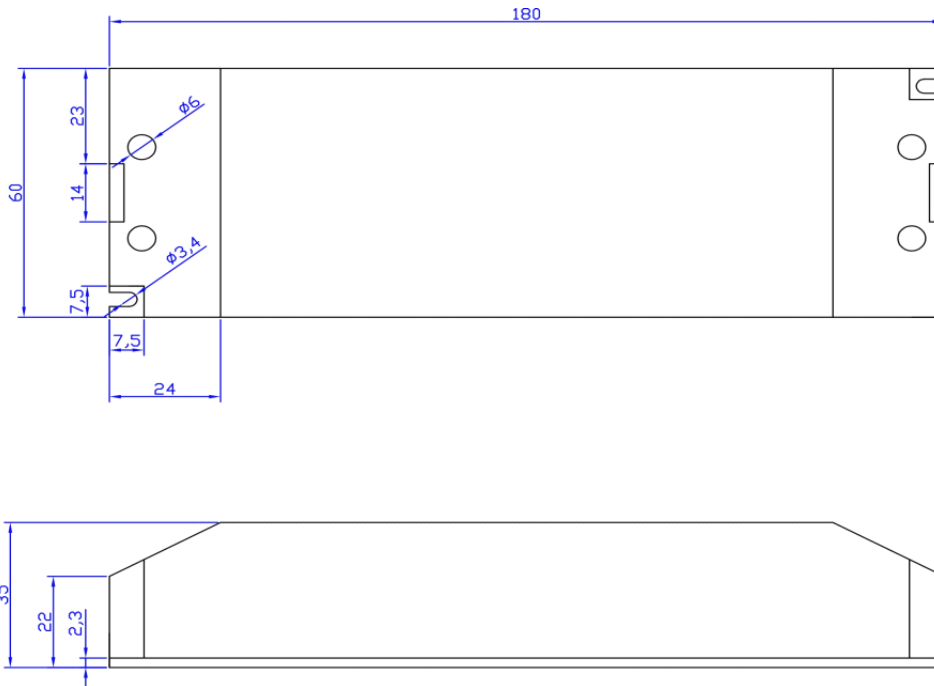
■ Specification

| Model | | KI-90500-TD | KI-65700-TD | KI-50900-TD | KI-451050-TD | KI-421130-TD | KI-321400-TD |
|-------------------------|---|--|-------------|----------------|--------------|------------------------------|--------------|
| Output | Rated current | 500mA | 700mA | 900mA | 1050mA | 1130mA | 1400mA |
| | Current Tolerance | ±5% | | | | | |
| | Voltage Range | 55-90V | 40-65V | 30-50V | 25-45V | 25-42V | 18-32V |
| | Rated power | 45W | 45.5W | 45W | 47.25W | 47.46W | 44.8W |
| Input | Voltage Range | 180-240VAC | | | | | |
| | Frequency Range | 47-63HZ | | | | | |
| | Power Factor | PF≥0.95/180VAC | | PF≥0.92/230VAC | | PF≥0.92/240VAC(Full loading) | |
| | Full Load Efficiency(Typ.) | 86% | 86% | 86% | 86% | 86% | 86% |
| | AC Current(Max.) | 0.31A | 0.32A | 0.31A | 0.33A | 0.33A | 0.31A |
| | Leakage current | <0.50mA | | | | | |
| Protection | Short Circuit | Hiccup mode, recovers automatically after fault condition is removed | | | | | |
| | Over Load | ≤120% | | | | | |
| | Over Voltage | ≤95V | ≤70V | ≤55V | ≤50V | ≤47V | ≤37V |
| | Protection Class: | II | | | | | |
| Environment | Working TEMP. | -40-+60℃ | | | | | |
| | Working Humidity | 20-90%RH, non-condensing | | | | | |
| | Storage TEM.,Humidity | -40-+80℃,10~95%RH | | | | | |
| | TEMP.coefficient | ±0.03%/℃(0-50℃) | | | | | |
| | Vibration | 10 - 500Hz, 2G 12min./1 cycle, period for 72min.each along X,Y,Z axes. | | | | | |
| Safety & EMC | Safety standards | EN61347-1 EN61347-2-13 IP66 | | | | | |
| | Withstand voltage | I/P-O/P:3.75KVAC | | | | | |
| | Isolation resistance | I/P-O/P:100MΩ/500VDC/25℃/70%RH | | | | | |
| | EMC EMISSION | EN55015,EN61000-3-2,3 (≥60%loading) | | | | | |
| | EMC IMMUNITY | EN61000-4-2,3,4,5,6,11,EN61547,A light industry level (Surge 4KV) | | | | | |
| Others | Net.Weight | 0.45KG | | | | | |
| | Size | 180*60*35mm(L*W*H) | | | | | |
| | packing | 185*65*45mm(inner box) 355*215*215mm/20 pcs /CTN | | | | | |
| Notes | 1. All parameters NOT specially mentioned are measured at 230VAC input , rated load and 25℃ of ambient temperature. | | | | | | |

Triac dimmable driver---Constant Current series45W (SAA)

2. Tolerance: includes set us tolerance, line regulation and load regulation .
3. The power supply is considered as a component that will be operated in combination with final Equipment. Since EMC performance will be affected by the complete installation, the final equipment manufactures must be-qualify EMC Directive on the complete installation again

■Mechanical Specification



■ Label



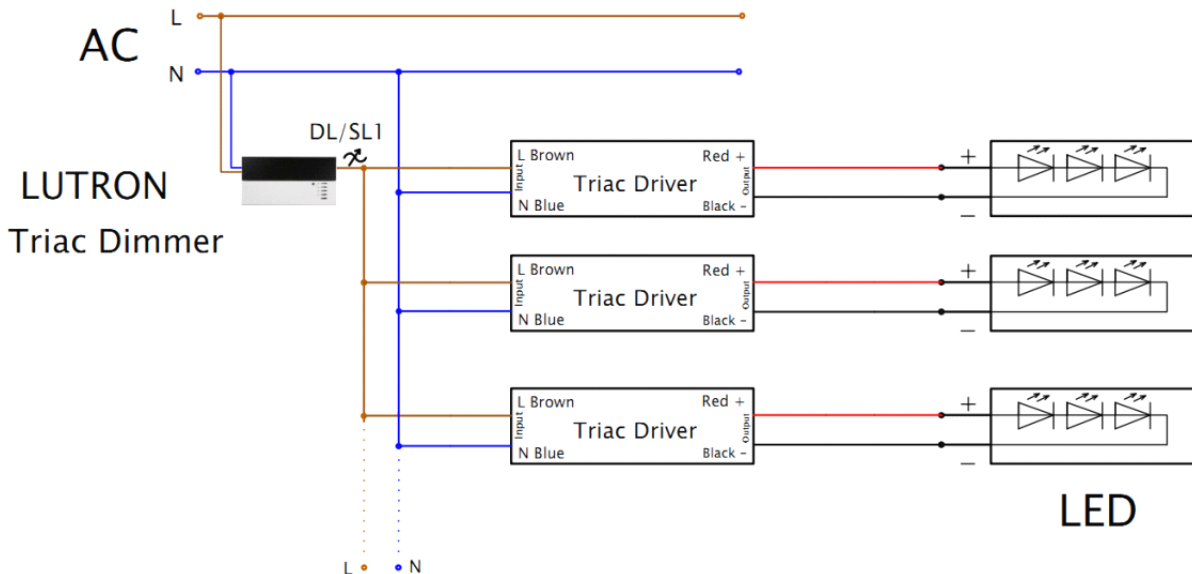
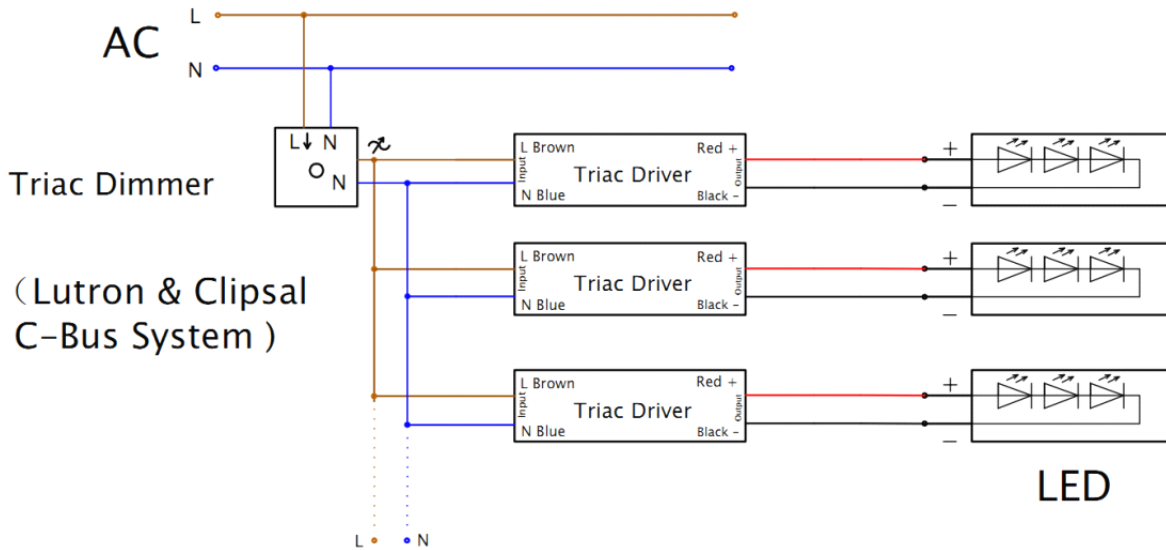
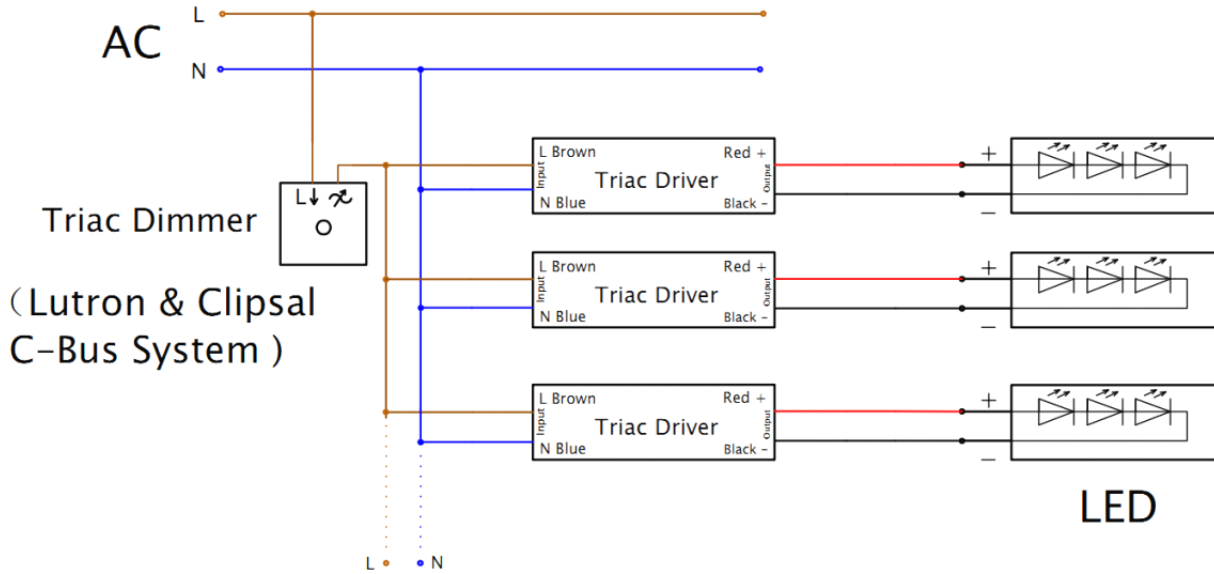
- ※Input with Live Wire AC (L), Neutral Wire AC(N)
- ※Output LED SEC output Positive (LED+) , output negative(LED-). Connected to LED Lamps.
- ※ Suggested wire diameter:Input 0.75-4.0mm²; Output:0.5-4.0mm².
- ※ Please make sure you connect these correctly otherwise your product will not function correctly and could be damaged.
- ※Note: Any other requests we can customized.

■Dimming Operation

- ※Output constant current level can be adjusted through input terminal of the AC phase line(L) by connection a triac dimmer.
- ※Compatible with Leading edge or tailing edge triac dimmers.
- ※please try to use the small power dimmer, have access to a wider dimming range, high-power dimmer is difficult to achieve the output current to zero.

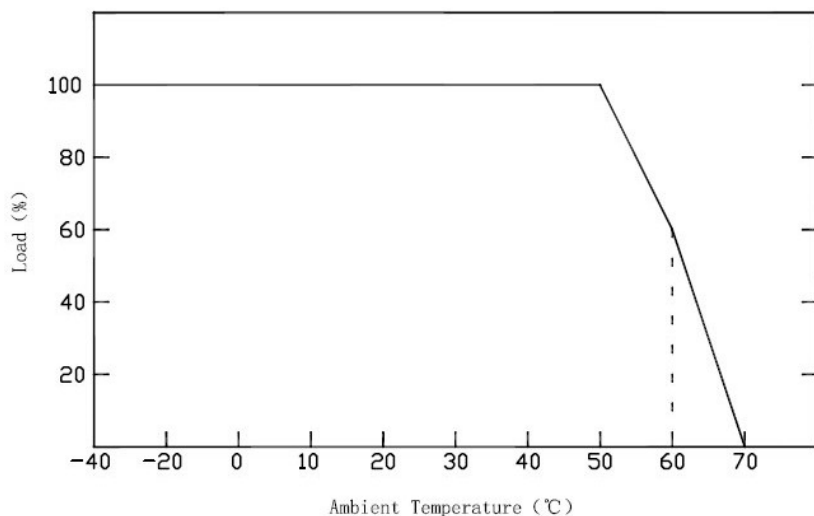
Triac dimmable driver---Constant Current series45W (SAA)

■ Connecting Diagram



Triac dimmable driver---Constant Current series45W (SAA)

Derating Curve



※To extend their life, please refer to the Derating Curve and derate according to the temperature.

Instruction:

- 1) This driver should be installed by qualified and professional person;
- 2) Please make sure the transformer is installed with adequate ventilation around it to allow for heat dissipation.
- 3) Ensure that wiring is correct before test in order to avoid light and power supply damage;
- 4) If driver cannot work normally, don't maintain privately; Have any question, please contact Shengchang.

Any other question please feel free to contact ZHUHAI SHENGCHANG ELETRONICS CO