

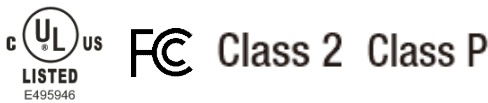
**Phase cut /Triac dimmable driver-PWM output KVF-TDWS series 96W**

Whole Family  
KVF-XXXXX-TDWS12V 24VDC  
30W 36W 60W 96W 100W



**■Features**

- Output constant voltage
- UL, cUL listed, Class 2, Class P, Type HL
- Universal AC input: 100-277VAC
- Power Factor: up to 0.99
- High efficiency : up to 88%
- Dimming range: 0-100%
- Load: 10-100%
- Protection:short circuit/over loading/ Over temperature
- PWM output, does not change the color index
- Full protection plastic case, for dry and damp locations
- Flicker-free
- Compatible with Forward phase, Reverse phase, Triac, MLV, ELV Dimmers
- Cooling by free air convection
- Suitable for LED lighting and moving sign applications



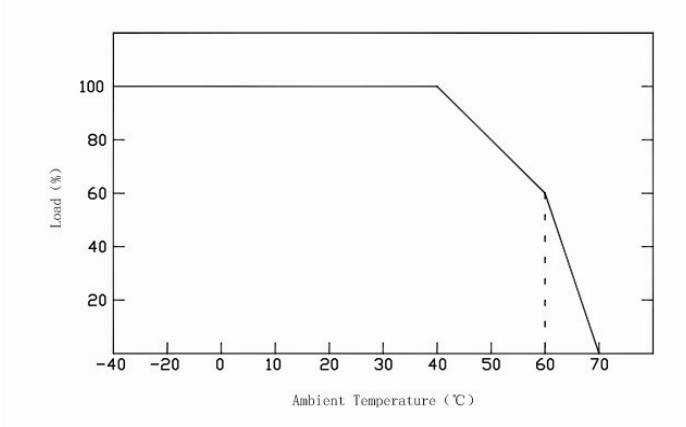
**■Specification**

Model		KVF-24096-TDWS
Certificates		FCC UL cUL Class 2
Output	DC Voltage	24V
	Rated Current	4A
	Rated Power	96W
	Voltage Tolerance	±0.5V
	Voltage Regulation	±0.5%
	Load Regulation	±1%
Input	Voltage Range	100-277VAC
	Frequency Range	47-63Hz
	Power Factor (Typ.) @ full load	0.99@120VAC 0.95@277VAC
	THD (Typ.) @ full load	120V<10%; 277V<15%
	Efficiency (Typ.) @ full load	88%
	AC Current (Max.)	1.3A@100VAC
	Inrush Current (Typ.)	120V--11A, 50%, 1.04ms ; 277V--27A, 50%, 960us
	Leakage current	<0.50mA
Protection	Short Circuit	shut down o/p voltage, re-power on to recover after fault condition is removed
	Over Loading	≤120% Hiccup mode,recovers automatically after fault condition is removed.
	Over temperature	100°C±10°C shut down o/p voltage, automatically recover after cooling.
Environment	Working TEMP.	-40~+60°C (see below derating curve)
	Working Humidity	20~90%RH, non-condensing
	Storage TEMP. Humidity	-40~+80°C, 10~95%RH
	TEMP .coefficient	±0.03%/°C (0~50°C)
	Vibration	10~500Hz, 2G 10min./1 cycle,period for 60min. each along X,Y,Z axes
Safety& EMC	Safety standards	UL8750+UL1310, CAN/CSA-C22.2 No.250.13
	Withstand voltage	I/P-O/P:1.88KVac
	Isolation resistance	I/P-O/P:100MΩ/500VDC/25°C/70%RH
	EMC EMISSION	FCC 47 CRF Part 15, Subpart B
others	Net. Weight	0.5Kg
	Size	330*30*22mm (L*W*H)
	packing	350*330*145mm/50pcs /CTN

**Phase cut /Triac dimmable driver-PWM output KVF-TDWS series 96W**

<b>Notes</b>	<p>1. All parameters if NOT specially mentioned are measured at 120VAC input , rated load and 25°Cof ambient temperature.</p> <p>2. To extend the driver's using life ,please reduce the loading at lower input voltage.</p>
--------------	--

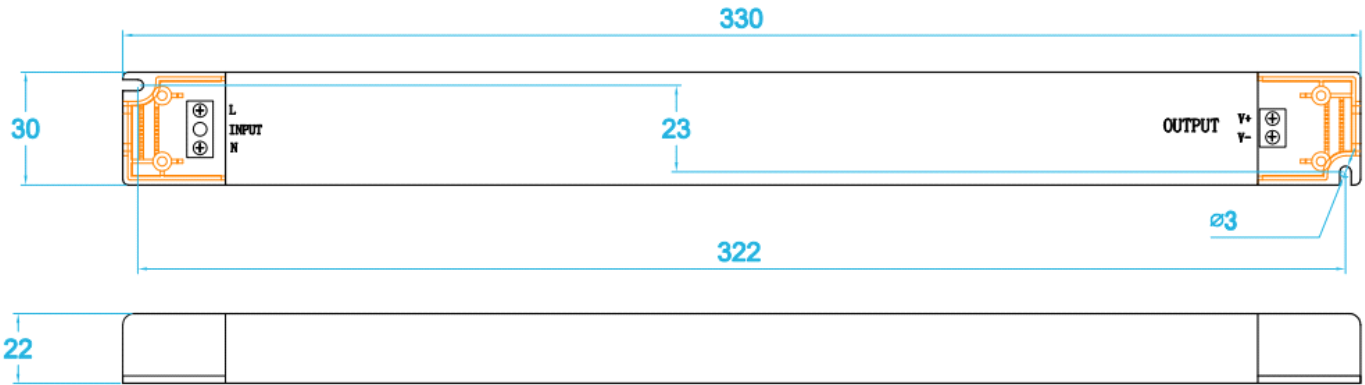
**Derating Curve**



※To extend their life, please refer to the Derating Curve and derate according to the temperature.

**Mechanical Specification**

Unite: mm  
Tolerance:P 0.5-2mm

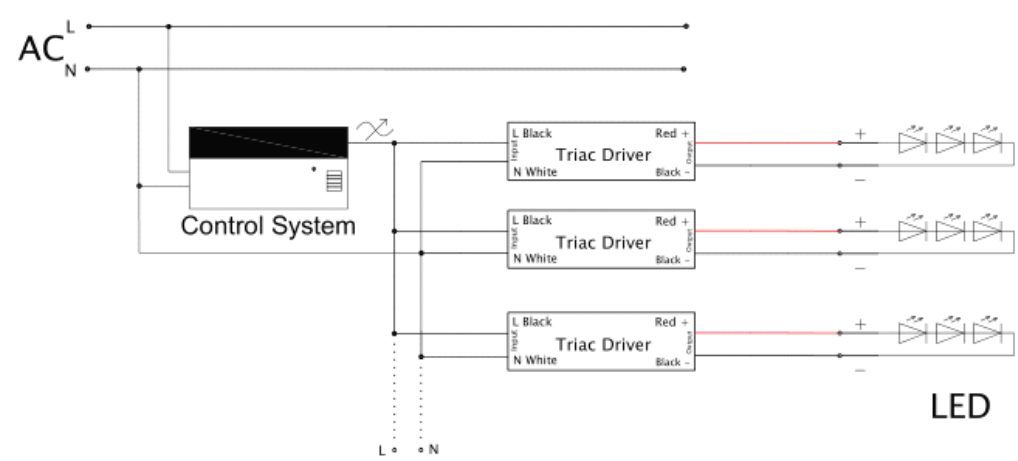
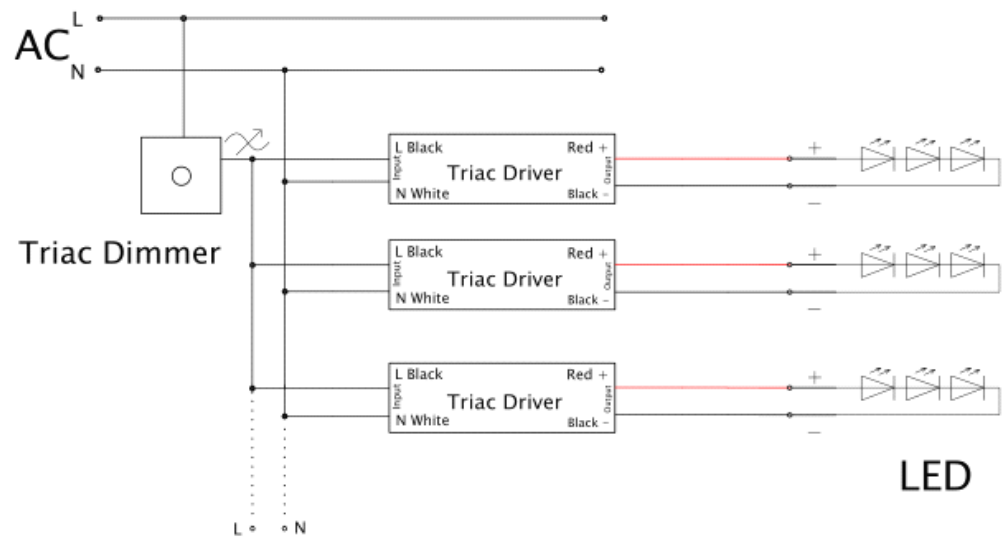
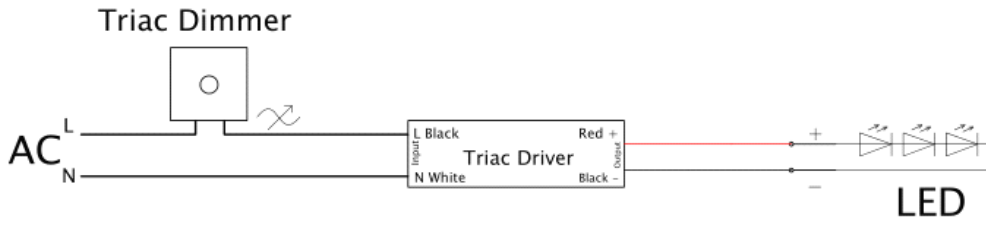


- ※ Input with terminals Live(L) and Neutral(N) wires to be connected AC;
- ※Output with terminals "+ "Positive and "- " Negative to be connected led lighting.

**Dimming Operation**

- ※The Pulse-Width Modulation (PWM) of output voltage can be adjusted through input terminal of the AC phase line(L) by connection a phase/triac dimmer.
- ※Usually matching with Forward phase , leading edge , Magnetic low voltage, triac dimmers, or Reverse phase, trailing edge ,Electric low voltage Dimmers.
- ※Please try to use dimmers with power at least 1.5 times as the output power of the driver.

■ **Connecting Diagram**



■ **Instruction:**

- 1) This driver should be installed by qualified and professional person;
- 2) Please make sure the driver is installed with adequate ventilation around it to allow for heat dissipation.
- 3) Ensure that wiring is correct before test in order to avoid light and power supply damage;
- 4) If driver Cannot work normally, don't maintain privately; Have any question, please contact Zhuhai Shengchang.

Please visit our website or contact us for more information! [www.scpower.net.cn](http://www.scpower.net.cn)