

Phase cut /Triac dimmable driver-PWM output KVF-TDWL series 30W

Whole Family
KVF-XXXXX-TDWL 12V 24VDC
30W 36W 60W 96W 100W



■Features

- Output constant voltage
- UL, cUL listed, Class 2, Class P, Type HL
- Universal AC input: 100-277VAC
- Power Factor: up to 0.99
- High efficiency : up to 80%
- Dimming range: 0-100%
- Load: 10-100%
- Protection:short circuit/over loading/ Over temperature
- PWM output, does not change the color index
- Full protection aluminum case, for dry , damp and wet locations
- Flicker-free
- Compatible with Forward phase, Reverse phase, Triac, MLV, ELV Dimmers
- Cooling by free air convection
- Suitable for LED lighting and moving sign applications



FC Class 2 Class P

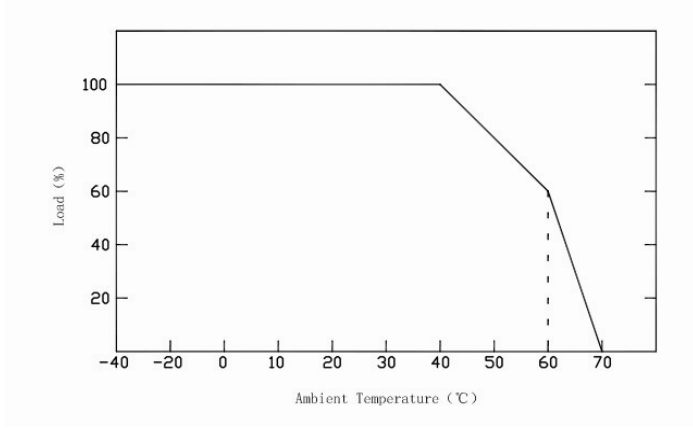
■Specification

Model		KVF-12030-TDWL	KVF-24030-TDWL
Certificates		FCC UL cUL Class 2	FCC UL cUL Class 2
Output	DC Voltage	12V	24V
	Rated Current	2.5A	1.25A
	Rated Power	30W	
	Voltage Tolerance	±0.5V	
	Voltage Regulation	±0.5%	
	Load Regulation	±1%	
Input	Voltage Range	100-277VAC	
	Frequency Range	47-63Hz	
	Power Factor (Typ.) @ full load	0.99@120VAC 0.95@277VAC	0.99@120VAC 0.95@277VAC
	THD (Typ.) @ full load	120V<10%; 277V<15%	
	Efficiency (Typ.) @ full load	120V 79% ; 277V 80%	120V 79% ; 277V 80%
	AC Current (Max.)	0.5A@100VAC	
	Inrush Current (Typ.)	120V--5A, 50%, 960us ; 277V--13A, 50%, 1ms	
Leakage current	<0.50mA		
Protection	Short Circuit	120VAC Hiccup mode,recovers automatically after fault condition is removed 277AVC shut down o/p voltage, re-power on to recover after fault condition removed.	
	Over Loading	≤120% Hiccup mode,recovers automatically after fault condition is removed.	
	Over temperature	100°C±10°C shut down o/p voltage, automatically recover after cooling.	
Environment	Working TEMP.	-40~+60°C (see below derating curve)	
	Working Humidity	20~90%RH, non-condensing	
	Storage TEMP. Humidity	-40~+80°C, 10~95%RH	
	TEMP .coefficient	±0.03%/°C (0~50°C)	
	Vibration	10~500Hz, 5G 10min./1 cycle,period for 60min. each along X,Y,Z axes	
Safety& EMC	Safety standards	UL8750+UL1310, CAN/CSA-C22.2 No.250.13	
	Withstand voltage	I/P-O/P:1.88KVac	
	Isolation resistance	I/P-O/P:100MΩ/500VDC/25°C/70%RH	
	EMC EMISSION	FCC 47 CRF Part 15, Subpart B	
others	Net. Weight	0.35Kg	
	Size	260*32*20mm (L*W*H)	
	packing	290*270*160mm/30pcs /CTN	

Phase cut /Triac dimmable driver-PWM output KVF-TDWL series 30W

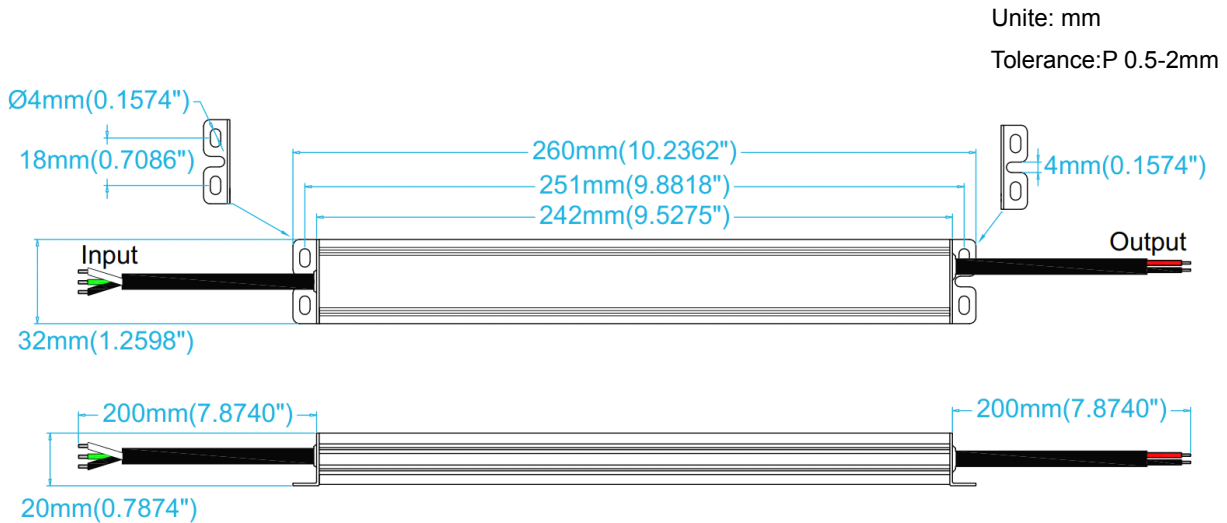
Notes	<p>1. All parameters if NOT specially mentioned are measured at 120VAC input , rated load and 25°C of ambient temperature.</p> <p>2. To extend the driver's using life ,please reduce the loading at lower input voltage.</p>
--------------	---

Derating Curve



※To extend their life, please refer to the Derating Curve and derate according to the temperature.

Mechanical Specification

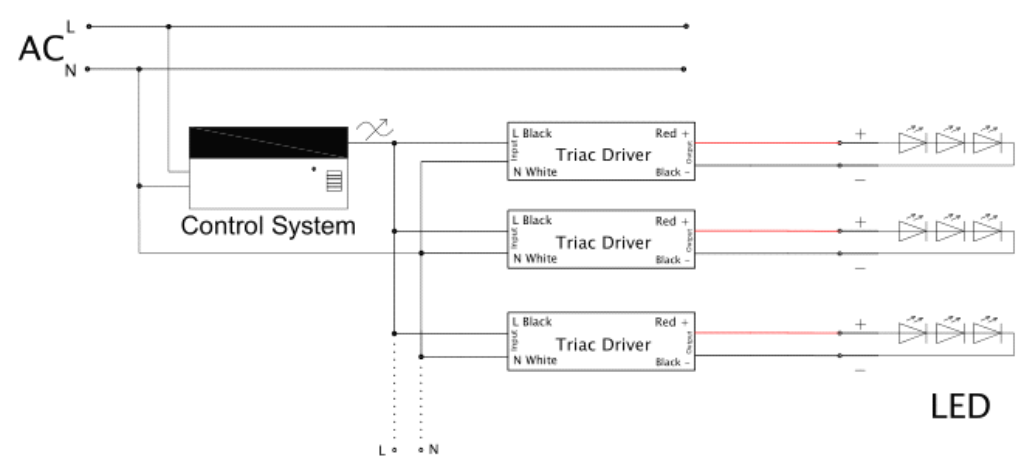
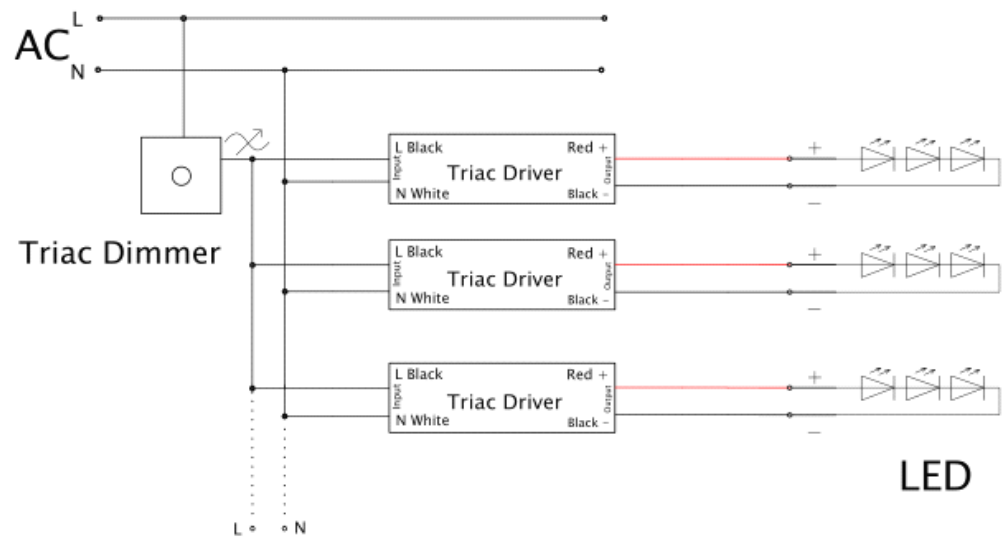
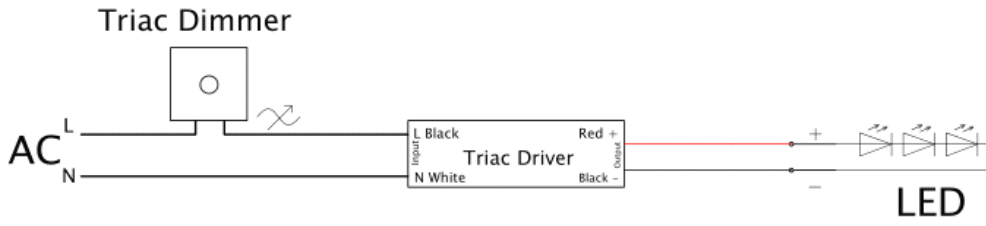


- ※Input Rubber cable SJOW 18AWG (3C*0.824mm²), the green cable connect with (FG),Black with AC (L),White with AC(N)
- ※Output Rubber cable SJOW 18AWG (2C*0.824mm²), Red is output(V+) Positive,Black is output (V-) negative. Connected to LED Lamps.
- ※Please make sure you connect these correctly otherwise your product will not function correctly and could be damaged.
- ※Note: Any other requests we can customized.

Dimming Operation

- ※The Pulse-Width Modulation (PWM) of output voltage can be adjusted through input terminal of the AC phase line(L) by connection a phase/triac dimmer.
- ※Usually matching with Forward phase , leading edge , Magnetic low voltage, triac dimmers, or Reverse phase, trailing edge ,Electric low voltage Dimmers.
- ※Please try to use dimmers with power at least 1.5 times as the output power of the driver.

■ **Connecting Diagram**



■ **Instruction:**

- 1) This driver should be installed by qualified and professional person;
- 2) Please make sure the driver is installed with adequate ventilation around it to allow for heat dissipation.
- 3) Ensure that wiring is correct before test in order to avoid light and power supply damage;
- 4) If driver Cannot work normally, don't maintain privately; Have any question, please contact Zhuhai Shengchang.

Please visit our website or contact us for more information! www.scpower.net.cn