

Phase cut /Triac Dimmable LED driver Linear version - constant voltage 30W (IP20 with terminal)

■ Features :

Whole Family
KVF-XXXXX-TDHS 12V24VDC
30W 36W 60W 100W
Plastic Linear



- Output constant voltage
- Range: 200-240VAC
- Built-in active PFC function Power Factor: up to 0.96
- Efficiency up to 79%
- Dimming range: 0-100%
- Load: 10-100%
- Protection:short circuit/over loading/ Over temperature
- PWM output, does not change the color index
- Full protection plastic case, IP20 for indoor installation
- Flicker-free
- Compatible with leading edge and trailing edge TRIAC dimmers
- Cooling by free air convection
- Suitable for LED lighting and moving sign applications



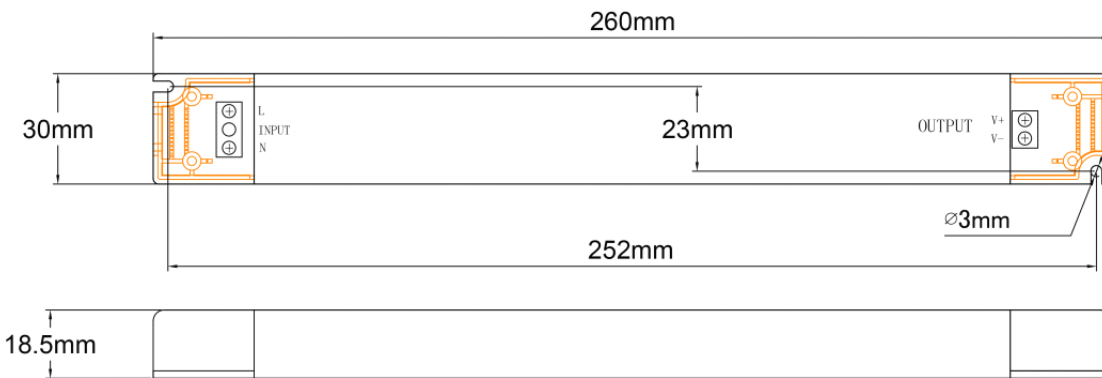
■ Specification

Model		KVF-12030-TDHS	KVF-24030-TDHS
Output	DC Voltage	12V	24V
	Voltage Tolerance	±0.5V	
	Voltage Regulation	± 0.5 %	
	Rated current	2.5A	1.25A
	Rated power	30W	
	Load Regulation	± 2 %	
Input	Voltage Range	200-240VAC	
	Frequency Range	47 - 63Hz	
	Power Factor(Typ.)@ full load	PF≥0.96/230VAC	
	THD(Typ.) @ full load	<20%	
	Efficiency(Typ.)@ full load	79%	79%
	AC Current(Max.)	0.20A/200VAC	0.20A/200VAC
	Inrush Current (Typ.)	34A,50%,104us@230VAC	
	Leakage current	<0.5mA	
Protection	Short Circuit	shut down o/p voltage, re-power on to recover after fault condition is removed	
	Over Load	≤120% shut down o/p voltage, re-power on to recover after fault condition is removed	
	Over temperature	100°C±10°C	
	Protection Class	II	
Environment	Working TEMP.	-40~+60°C (see below derating curve)	
	Working Humidity	20 - 95%RH,non-condensing	
	Storage TEM.,Humidity	-40 - +80°C,10 - 95%RH	
	TEMP.coefficient	±0.03%/°C(0 - 50°C)	
	Vibration	10~500Hz, 2G 10min./1 cycle,period for 60min. each along X,Y,Z axes	
Safety & EMC	Safety standards	EN61347-1 EN61347-2-13 EN62493	
	Withstand voltage	I/P-O/P:3.75KVAC I/P-FG:1.88KVAC O/P-FG:0.5KVAC	

Phase cut /Triac Dimmable LED driver Linear version - constant voltage 30W (IP20 with terminal)

	Isolation resistance	I/P-O/P I/P-FG O/P-FG: 100MΩ/500VDC/25°C/70%RH
	EMC Emission	EN55015 EN61000-3-2 EN61000-3-3
	EMC Immunity	EN61000-4-2,3,4,5,6,11 EN61547
Others	Net Weight	0.2Kg
	Dimension	260*30*18.5mm(L*W*H)
	packing	50pcs /CTN SIZE: 330X275X130mm
Notes	1. All parameters NOT specially mentioned are measured at 230VAC input , rated load and 25°C of ambient temperature.	
	2. Tolerance: includes set up tolerance, line regulation and load regulation .	
	3. The power supply is considered as a component that will be operated in combination with final Equipment. Since EMC performance will be affected by the complete installation, the final equipment manufactures must be-qualify EMC Directive on the complete installation again.	

■ Mechanical Specification



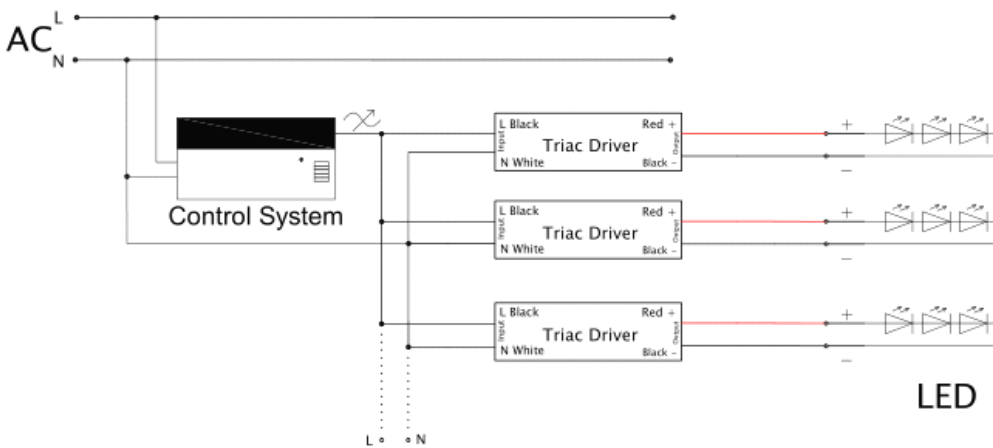
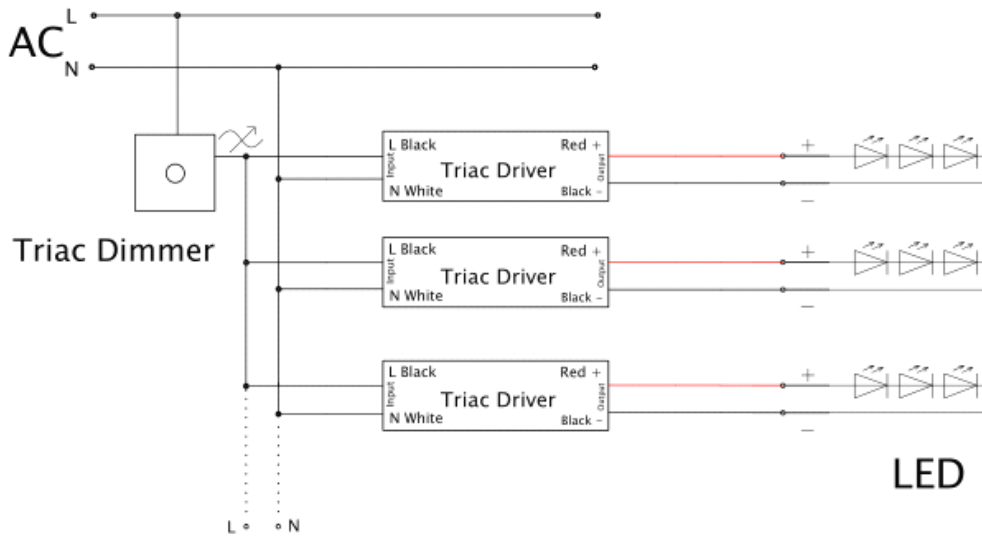
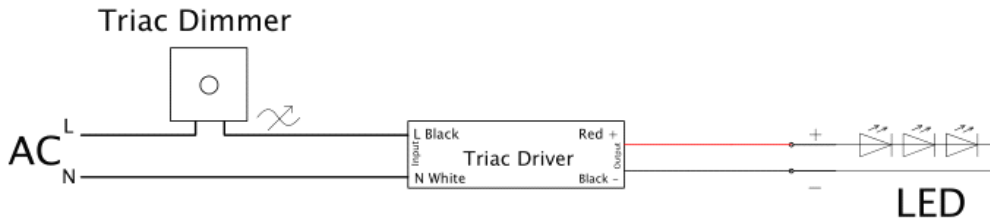
- ※ Input terminals: (L)and (N) to connect to L and N of Mains AC
- ※Output terminals: "Red" (+) to LED Positive side (+) , "Black"(-) to LED Negative side (-).
- ※Suggested wire diameter : Input 0.75-2.5mm²;Output 0.5-2.5mm²
- ※Please make sure your connect these correctly otherwise your product will not function correctly and could be damaged.
- ※Note: Any other requests we can customized.

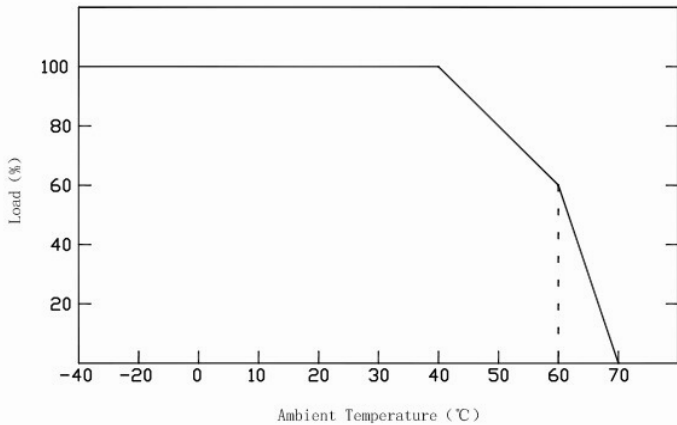
■Dimming Operation

- ※The Pulse-Width Modulation (PWM) of output voltage can be adjusted through input terminal of the AC phase line(L) by connection a phase/triac dimmer.
- ※Usually matching with leading edge and trial edge Triac Dimmers both;
- ※Please try to use dimmers with power at least 1.5 times as the output power of the driver.

Phase cut /Triac Dimmable LED driver Linear version - constant voltage 30W (IP20 with terminal)

■ Connecting Diagram



Phase cut /Triac Dimmable LED driver Linear version - constant voltage 30W (IP20 with terminal)**Derating Curve**

※To extend their life, please refer to the Derating Curve and derate according to the temperature.

Instruction:

- 1)This driver should be installed by qualified and professional person;
- 2)Please make sure the driver is installed with adequate ventilation around it to allow for heat dissipation.
- 3)Ensure that wiring is correct before test in order to avoid light and power supply damage;
- 4)If driver Cannot work normally, don't maintain privately; Have any question, please contact Zhuhai Shengchang.

Please visit our website or contact us for more information! www.scpower.net.cn