

Constant Voltage Phase/Triac dimmable driver---80W 96W series PWM output

■ Features

- Output constant voltage
- Universal AC input: 100-130VAC
- High efficiency :up to 84%
- Protection:short circuit/over loading/over current/ Over temperature
- Full protection aluminum housing
- Easy installation
- Cooling by free air convection
- Compatible with Forward phase,Magnetic low voltage,Triac Dimmer
- Strong compatibility, flicker-free dimming
- Suitable for LED lighting and moving sign applications and others
- Provide with a junction box for connection to line voltage
- suitable for dry and damp location use, IP66



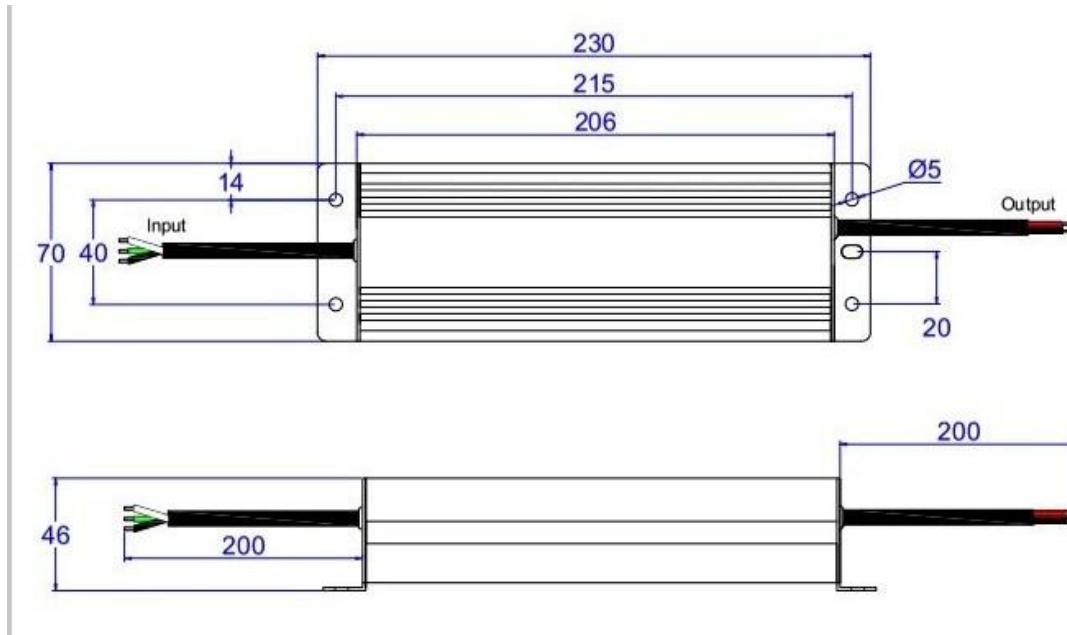
■ Specification

Model		KVP-24080-TDL	KVP-24096-TDL
Certificates		ETL,cETL,FCC	ETL,cETL,FCC
Output	DC Voltage	24V	24V
	Voltage Tolerance	±0.5V	
	Rated current	3.33A	4A
	Rated power	80W	96W
Input	Voltage Range	100~130VAC	
	Frequency Range	50~60HZ	
	Power Factor	0.65(Full loading)	
	Efficiency (Typ.)	83%	83%
	AC Current (Max.)	1.70A	2.0A
	Leakage current	< 0.50mA/120VAC	
Protection	Short Circuit	Hiccup mode, recover automatically after fault condition is removed	
	Over Current	≤1.2*I out	
	Over Loading	≤120%	
	Over temperature	100℃±10℃, Shut down o/p voltage, recover automatically after temperature goes down.	
Environment	Working TEMP.	-40~+60℃	
	Working Humidity	20~95%RH, non-condensing	
	Storage TEMP. Humidity	-40~+80℃, 10~95%RH	
	TEMP .coefficient	±0.03%/℃ (0~50℃)	
	Vibration	10~500Hz, 5G 12min./1 cycle, period for 72min. each along X,Y,Z axes	
Safety& EMC	Safety standards	UL8750+UL1310 Class 2 unit	
	Withstand voltage	I/P-O/P:1500VAC	
	Isolation resistance	I/P-O/P: 100MΩ/500VDC/25℃/70%RH	
	EMC EMISSION	FCC Part 15 B	
Others	Net. Weight	1.2Kg	With junction 1.84Kg
	Size	230*70*46mm (L*W*H)	380*77*57mm (L*W*H)
	packing	324*279*176mm 10PCS/CTN	415*360*190mm 10PCS/CTN

Constant Voltage Phase/Triac dimmable driver---80W 96W series PWM output

Notes	<ol style="list-style-type: none"> 1. All parameters if NOT specially mentioned are measured at 120VAC input , rated load and 25°C of ambient temperature. 2. To extend the driver's using life ,please reduce the loading at lower input voltage. 3.Loading should be 5-100%.
--------------	---

■ Mechanical Specification for KVP series DC24V 80W & 96W Phase/Triac Dimmable driver



■ Label

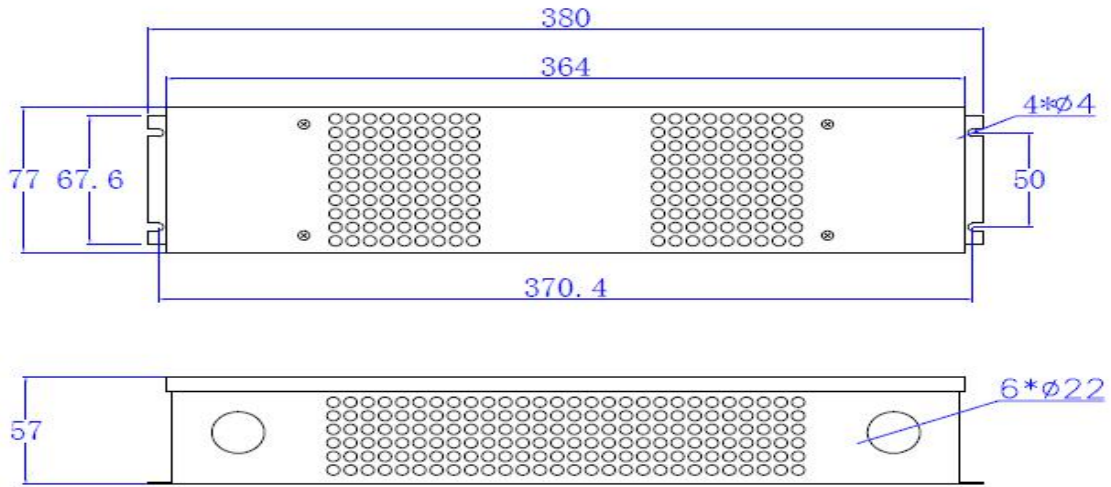
<ul style="list-style-type: none"> ● L Black ● N White <p>Input</p> <p>Green</p>	<p>LED Driver (Phase Dimming) for Forward phase and Reverse phase, ELV, Triac Dimmers</p> <p>ZHUHAI SHENGCHANG ELECTRONICS CO.,LTD.</p> <p>Model: KVP-120W-TDL Input: 100-130V~0.77A 50/60Hz λ:0.95 Output: 120V~0.6A 80W</p> <p>Made in China</p> <p>Rainproof étanche à la pluie</p> <p>CONFORMS TO UL STD. 8750 CERTIFIED TO CSA STD. C22.2 No.250.13 CONFORMS TO UL STD. 1310 CERTIFIED TO CSA STD. C22.2 No.223 Building 3, No.19, Yongtian Road, Qianshan Industrial Zone, Zhuhai City, Guangdong Province, China</p>		<p>CAUTION ATTENTION</p> <p>WARNING: Risk of Electric Shock. Mount the unit on a height greater than 1 foot from the ground surface. AVERTISSEMENT: Risque de choc électrique. Monter l'unité à une hauteur supérieure à 30 cm de la surface du sol.</p> <p>WARNING: Risk of Electric Shock. Install only on a circuit protected by a Class A GFCI. AVERTISSEMENT: Risque de choc électrique. Installez uniquement sur un circuit protégé par un disjoncteur différentiel de classe A/GFCI.</p> <p>SUITABLE FOR WET LOCATIONS CONVIENT AUX EMPLACEMENTS MOUILLÉS</p> <p>+ Red ● - Black ●</p> <p style="writing-mode: vertical-rl; transform: rotate(180deg);">Output</p>
--	---	--	---

※ Input black(L) and white(N) wires to be connected AC, Green wire to be connected ground; output red and black wires to be connected led lighting.

■ Mechanical Specification for DC 24V 80W & 96W Phase/Triac Dimmable Driver with junction box



Constant Voltage Phase/Triac dimmable driver---80W 96W series PWM output



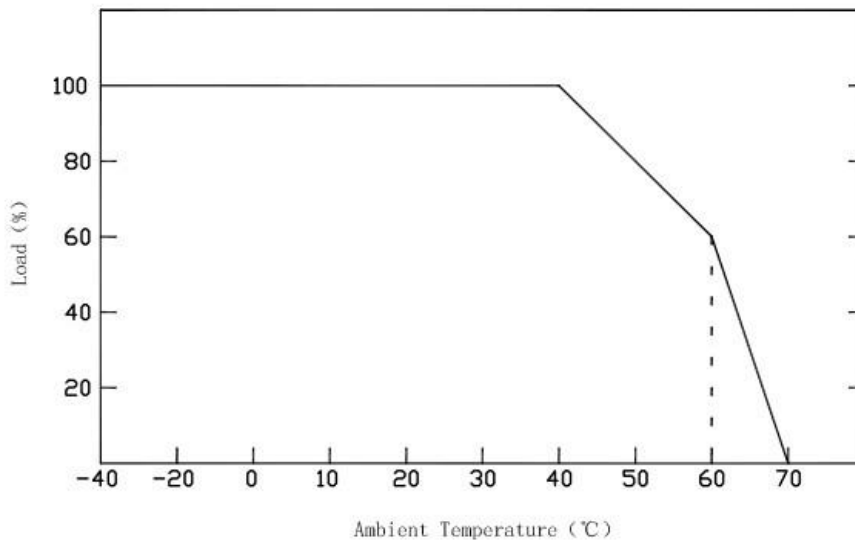
■ Dimming Operation

- ※ Output constant current level can be adjusted through input terminal of the AC phase line(L) by connection a phase/triac dimmer.
- ※ For forward phase, Magnetic low voltage and Triac Dimmer

■ Warning

- ※ Prevent to reverse polarity; Output polarity: RED "+"; BLACK "-"
- ※ Risk of Electric Shock. When used outdoors, install only on a circuit protected by a Class A GFCI;
- ※ Risk of Fire. Installation involves special wiring methods to run wiring through a building structure. Consult a qualified electrician;
- ※ Risk of Electric Shock. Mount the unit at a height greater than 1 foot from the ground surface.

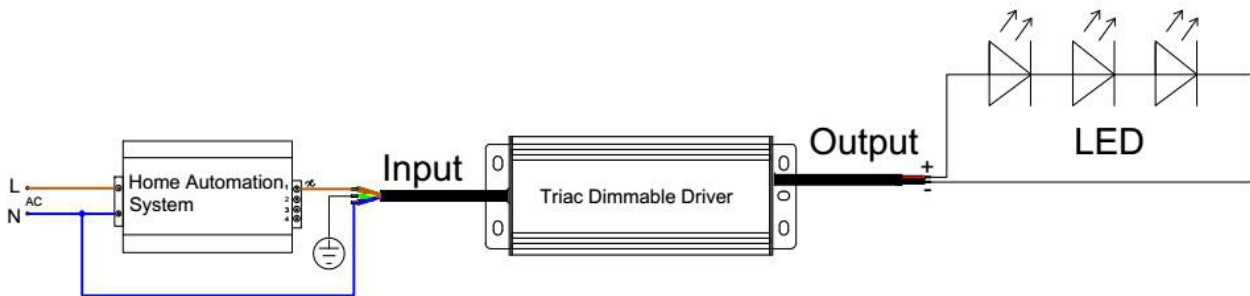
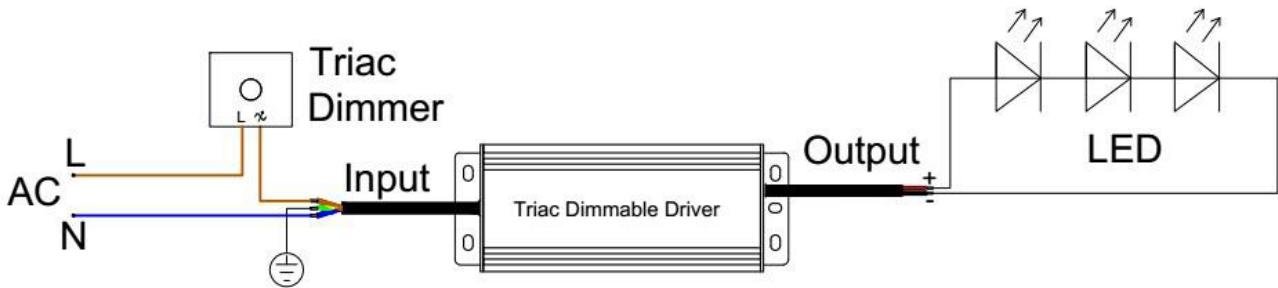
■ Derating Curve



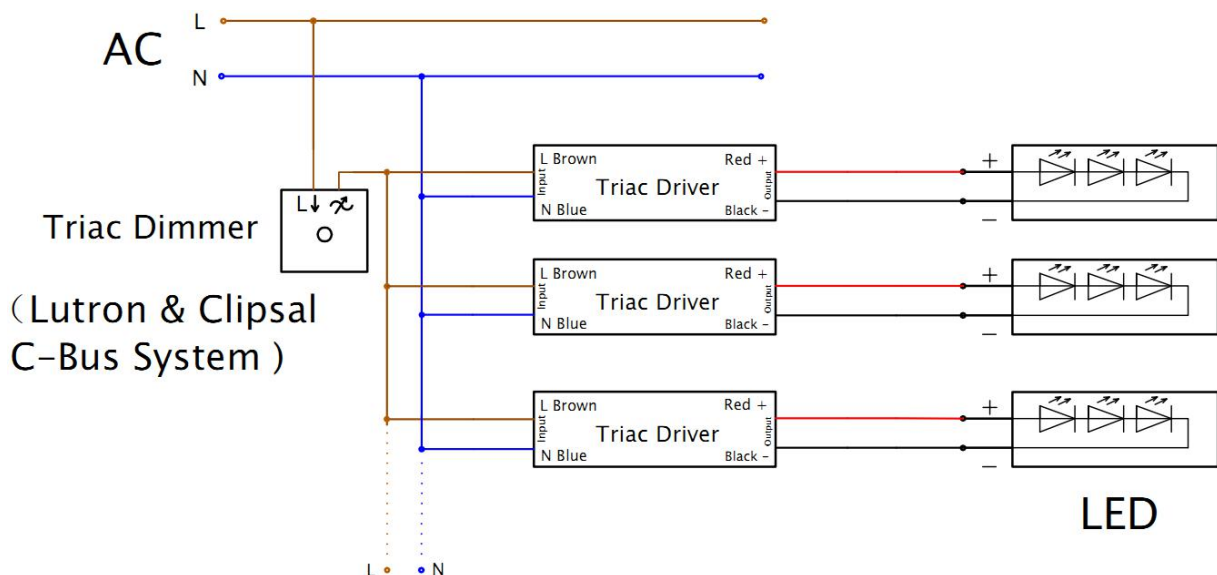
Constant Voltage Phase/Triac dimmable driver---80W 96W series PWM output

※To extend their life, please refer to the Derating Curve and derate according to the temperature.

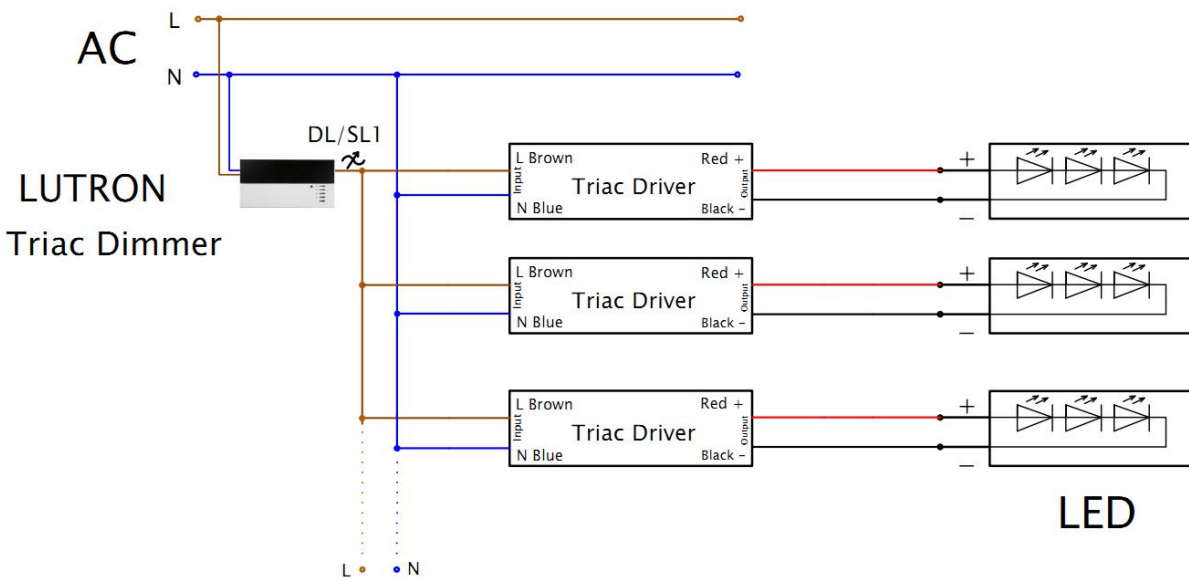
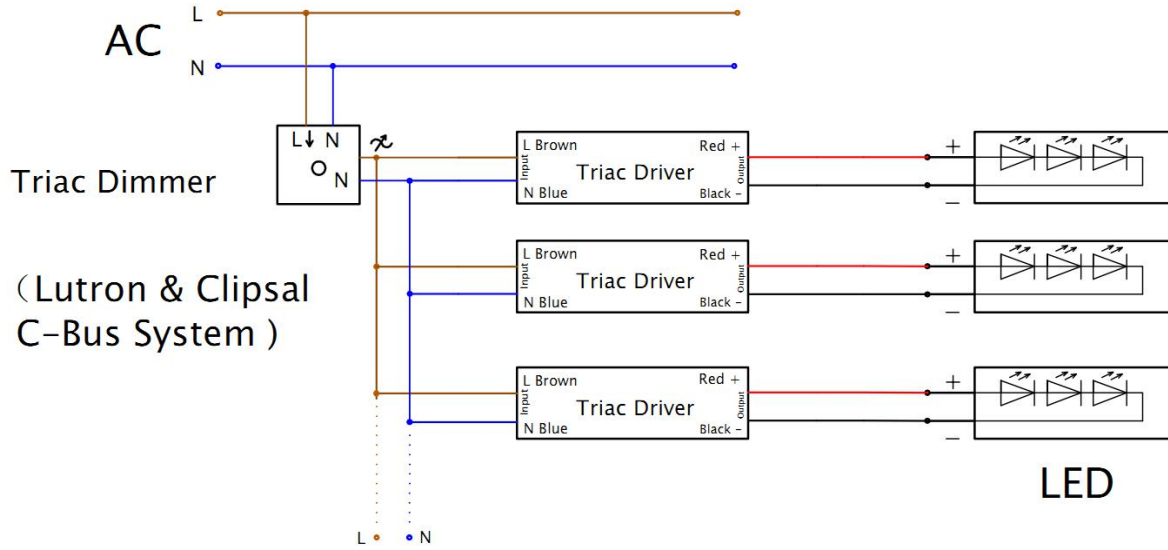
■ Single Driver Connecting Diagram



■ Multiple Drivers Connecting Diagram



Constant Voltage Phase/Triac dimmable driver---80W 96W series PWM output



Please visit our website:for more information! www.scpower.net.cn