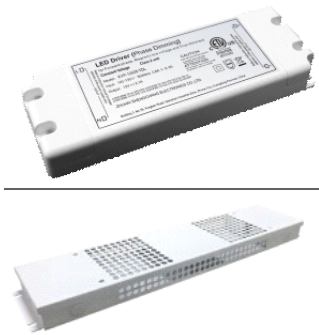


Constant Voltage Phase/Triac dimmable driver---50W series PWM output



■ Features:

- Output constant voltage
- Universal AC input: 100-130VAC
- High efficiency :up to 84%
- Protection:short circuit/over loading/over current/ Over temperature
- Full protection plastic housing
- Easy installation
- Cooling by free air convection
- Compatible with Forward phase,Magnetic low voltage,Triac Dimmers
- Strong compatibility, flicker-free dimming
- Suitable for LED lighting and moving sign applications and others
- Provide with a junction box for power supply and output connection
- Suitable for dry or damp location use, IP20



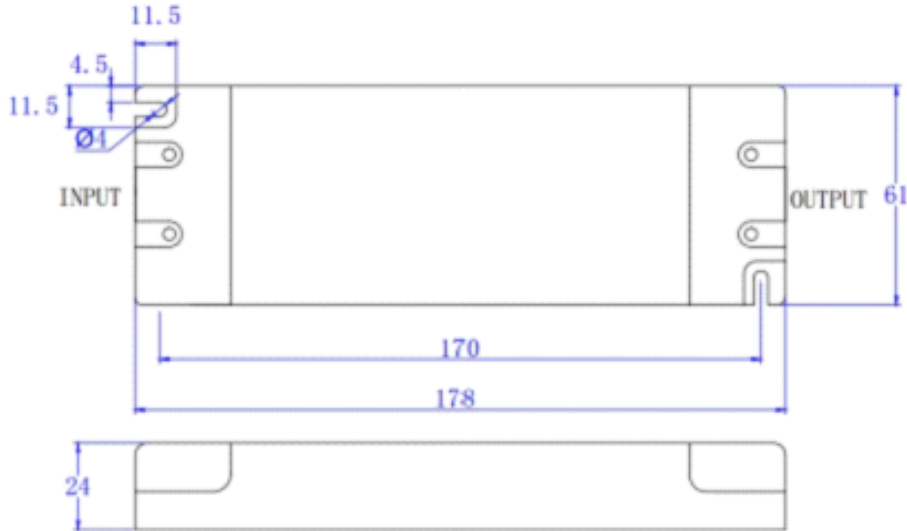
■ Specification

| Model | | KVP-12050-TDLJ | KVP-24050-TDLJ |
|--------------|------------------------|---|------------------------------------|
| Certificates | | ETL,cETL,FCC | ETL,cETL,FCC |
| Output | DC Voltage | 12V | 24V |
| | Voltage Tolerance | ±0.5V | |
| | Rated current | 4.17A | 2.08A |
| | Rated power | 50W | |
| Input | Voltage Range | 100-130VAC | |
| | Frequency Range | 47~63HZ | |
| | Power Factor | 0.65 (Full loading) | |
| | Efficiency (Typ.) | 81% | 84% |
| | AC Current (Max.) | 1.6A | 1.6A |
| | Leakage current | < 0.50mA/120VAC | |
| Protection | Short Circuit | Hiccup mode, recover automatically after fault condition is removed | |
| | Over Current | ≤1.2*I out | |
| | Over Loading | ≤120% | |
| | Over temperature | 100℃±10℃,Shut down o/p voltage,recover automatically after temperature goes down. | |
| Environment | Working TEMP. | -40~+60℃ | |
| | Working Humidity | 20~90%RH, non-condensing | |
| | Storage TEMP. Humidity | -40~+80℃, 10~95%RH | |
| | TEMP .coefficient | ±0.03%/℃ (0~50℃) | |
| | Vibration | 10~500Hz, 2G 12min./1 cycle,period for 72min. each along X,Y,Z axes | |
| Safety & EMC | Safety standards | UL8750+UL1310 Class 2 unit | |
| | Withstand voltage | I/P-O/P:1500VAC | |
| | Isolation resistance | I/P-O/P: 100MΩ/500VDC/25℃/70%RH | |
| | EMC EMISSION | FCC Part 15 B | |
| Others | Net. Weight | 0.82kg=0.35kg(driver)+0.47kg (J10) | 0.87kg=0.35(driver)+0. 52kg(J12-3) |
| | Size | 350*77*26mm (L*W*H) | 350*77*37mm (L*W*H) |
| | Packing | 430*375*150mm 20PCS/CTN | 430*375*190mm 20PCS/CTN |

Constant Voltage Phase/Triac dimmable driver---50W series PWM output

| | |
|--------------|--|
| Notes | <p>1. All parameters if NOT specially mentioned are measured at 120VAC input , rated load and 25°C of ambient temperature.</p> <p>2. To extend the driver's using life ,please reduce the loading at lower input voltage.</p> <p>3.Loading should be 5-100%.</p> |
|--------------|--|

■ Mechanical Specification for KVP series 50W Phase/Triac Dimmable driver



■ Label

L

INPUT

N

Refer to instruction manual for proper selection of the power supply cord

LED Driver (Phase Dimming)

for Forward phase, Magnetic low voltage and Triac Dimmers

Constant Voltage Class 2 unit

Model: KVP-10000-TSLJ

Input: 100-130V~ 1.0A max. 50/60Hz λ: 0.65

Output: 12V~4.10A 50W

CAUTION

RISK OF ELECTRONIC SHOCK
SUITABLE FOR USE DRY
AND DAMP LOCATIONS

ATTENTION

CET APPAREIL PEUT ÊTRE UTILISÉ
EN ENDROIT SEC OU HUMIDE

CONFORMS TO UL STD.8750 CERTIFIED TO CSA STD.C22.2 No.250.13
CONFORMS TO UL STD.1310 CERTIFIED TO CSA STD.C22.2 No.223

ZHUHAI SHENGCHANG ELECTRONICS CO.,LTD.

Building 3, No.19, Yongtian Road, Qianshan Industrial Zone, Zhuhai City, Guangdong Province, China

+

OUTPUT

-

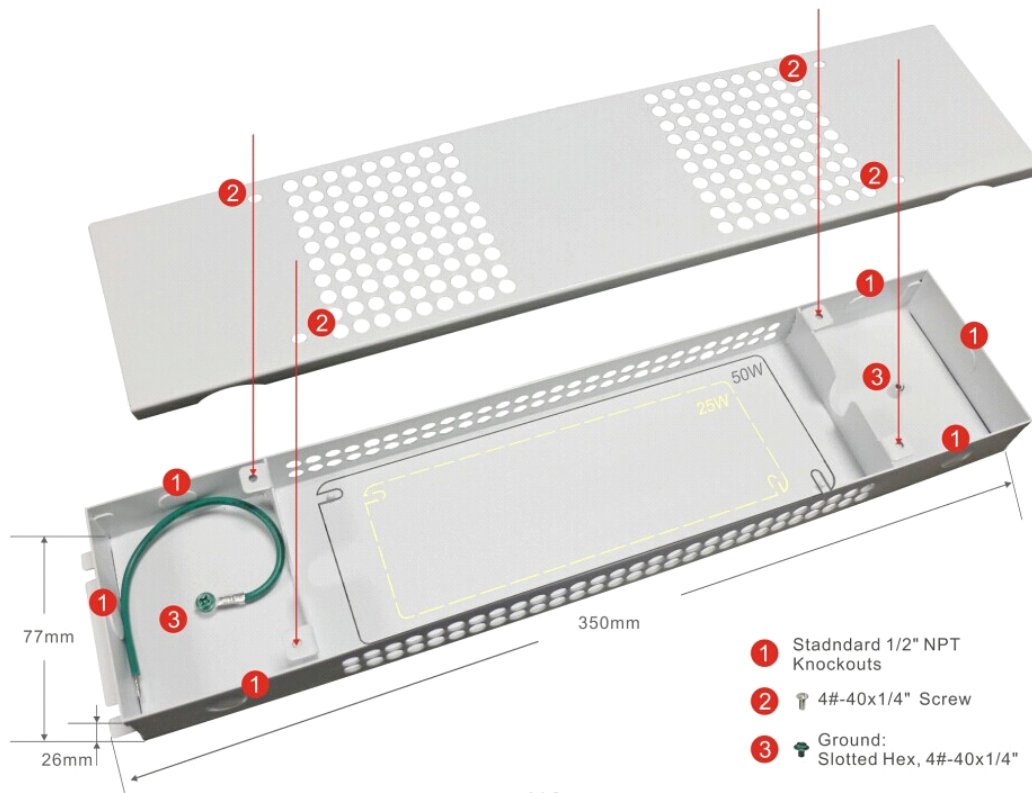
Refer to instruction manual for proper selection of the power supply cord

Made in China

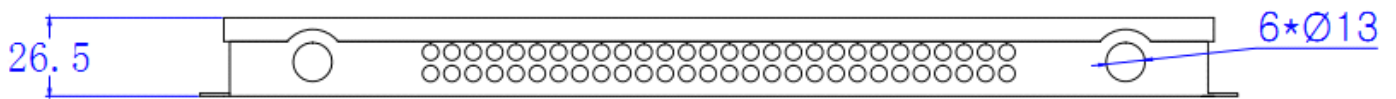
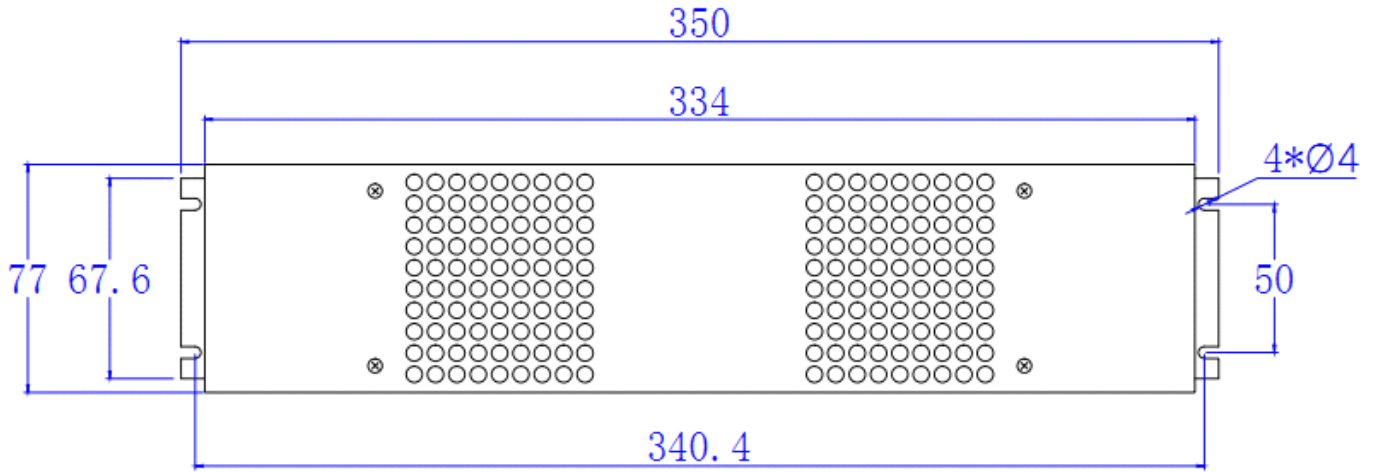
- ※ Input (L) and (N) with wires to be connected AC.
- ※ Output : (LED+) (LED-)

■ Mechanical Specification for 50W Phase/Triac Dimmable Driver with junction box J10

Constant Voltage Phase/Triac dimmable driver---50W series PWM output

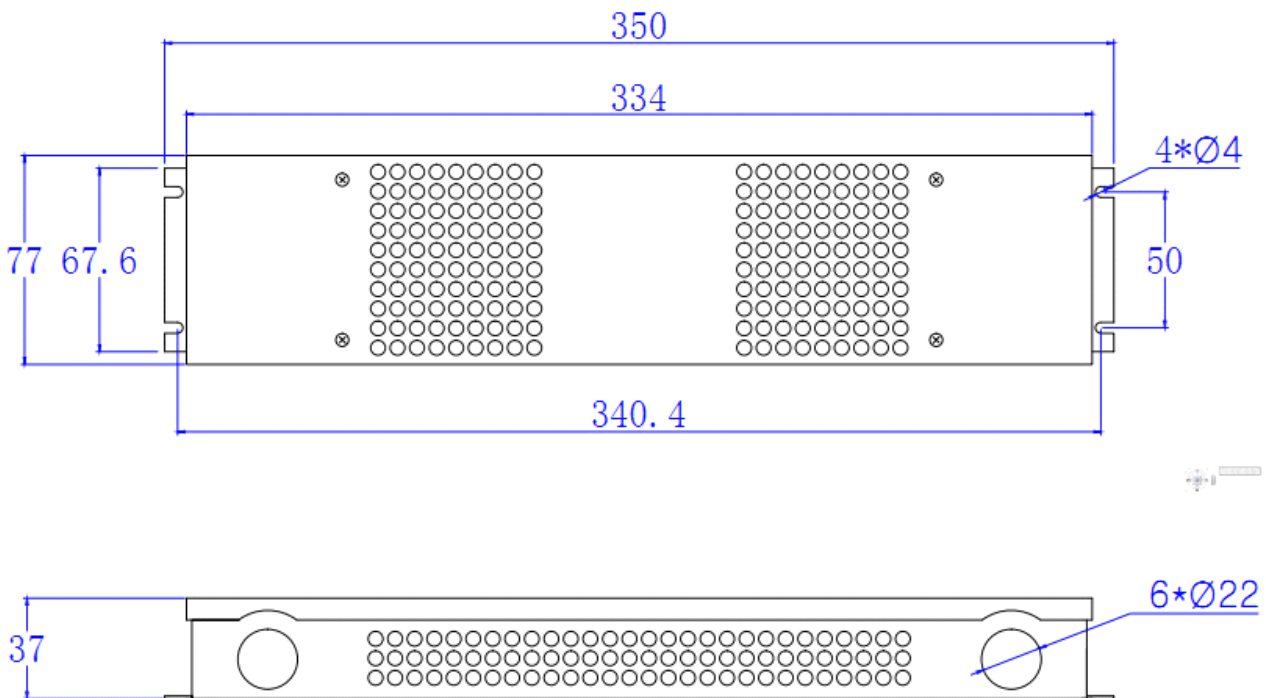
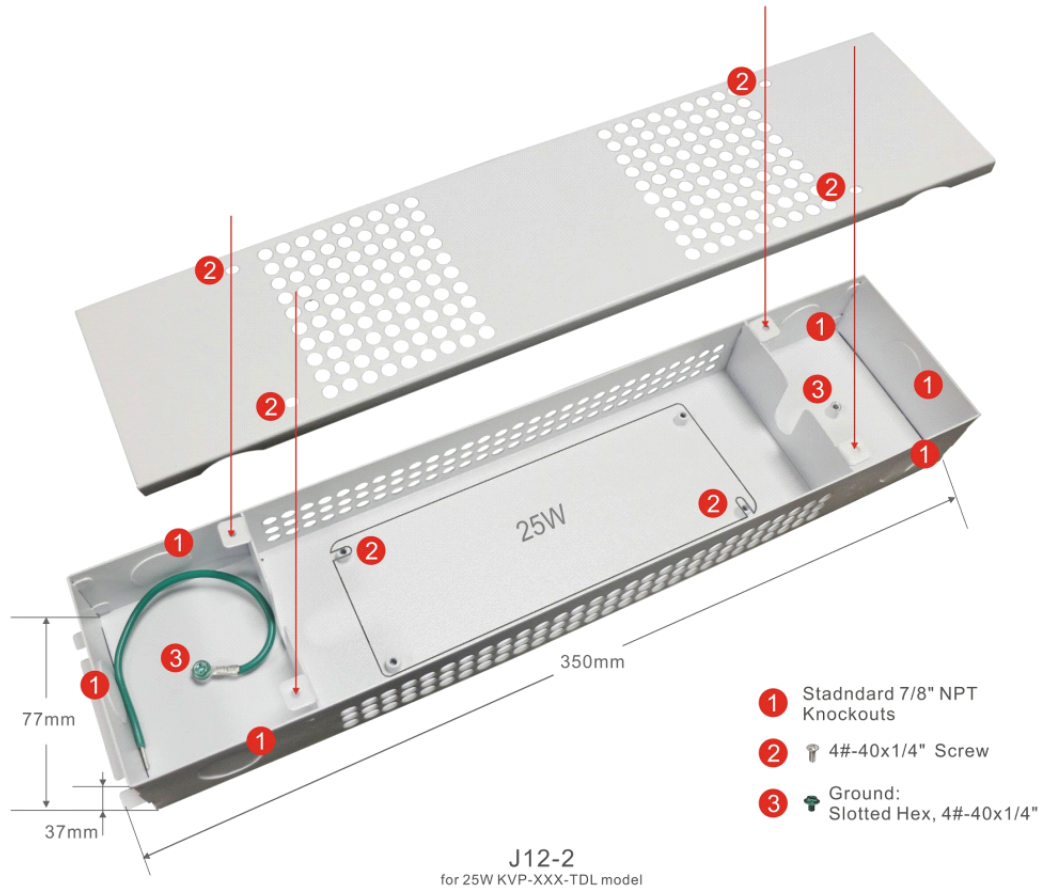


J10
for 25W 50W KVP-XXX-TDL model



Constant Voltage Phase/Triac dimmable driver---50W series PWM output

■ Mechanical Specification for 50W Phase/Triac Dimmable Driver with junction box J12-2



■ Dimming Operation

※The Pulse-Width Modulation (PWM) of output voltage can be adjusted through input terminal of the AC phase line(L) by connection a triac dimmer.

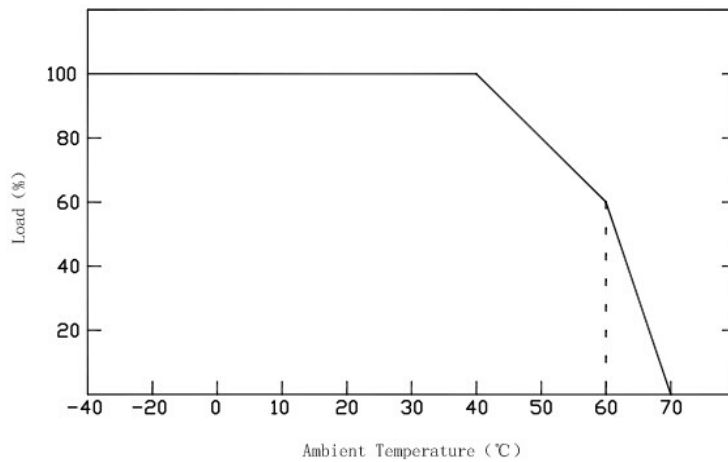
Constant Voltage Phase/Triac dimmable driver---50W series PWM output

- ※Usually matching with leading edge/Forward Phase Triac Dimmers(Can customized as a driver only matching trailing edge/reverse phase Triac Dimmers if needed).
- ※Please try to use dimmers with power at least 2.5 times as the output power of the driver.
- ※for Forward phase,Magnetic low voltage and Triac Dimmers

■ Warning

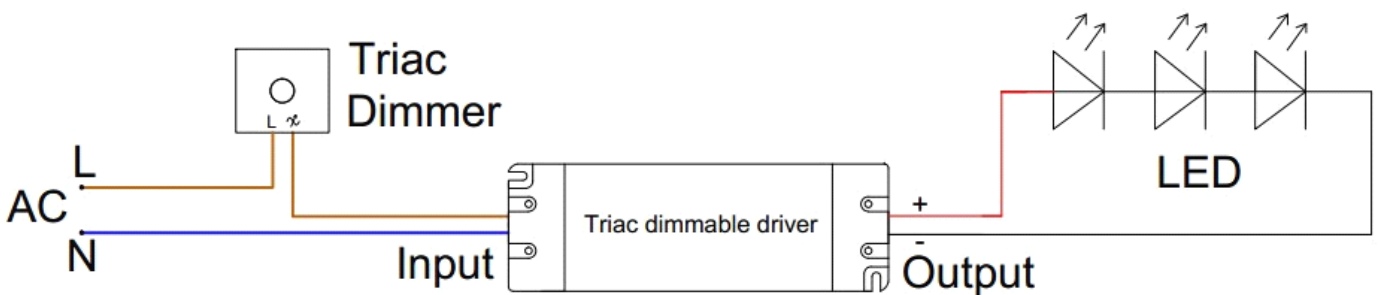
- ※Prevent to reverse polarity;
- ※Risk of Electric Shock. When used outdoors, install only on a circuit protected by a Class A GFCI;
- ※ Risk of Fire. Installation involves special wiring methods to run wiring through a building structure. Consult a qualified electrician;
- ※Risk of Electric Shock. Mount the unit at a height greater than 1 foot from the ground surface.

■ Derating Curve

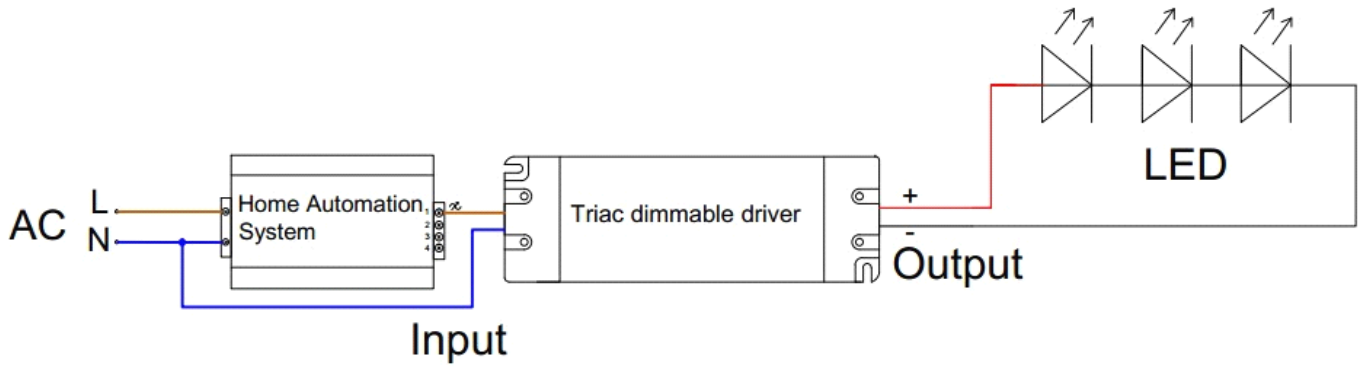


- ※To extend their life, please refer to the Derating Curve and derate according to the temperature.

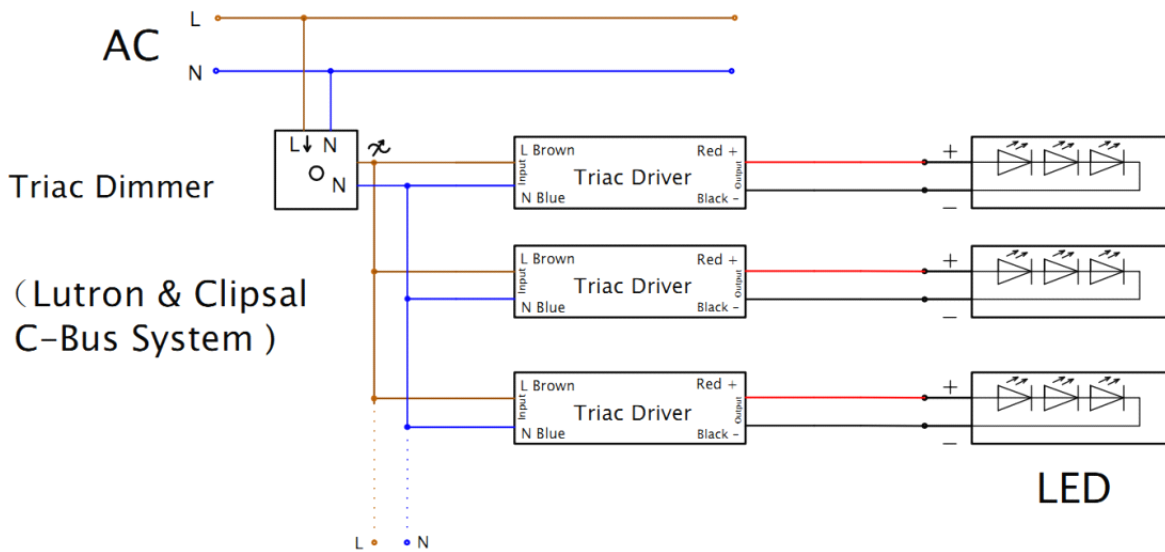
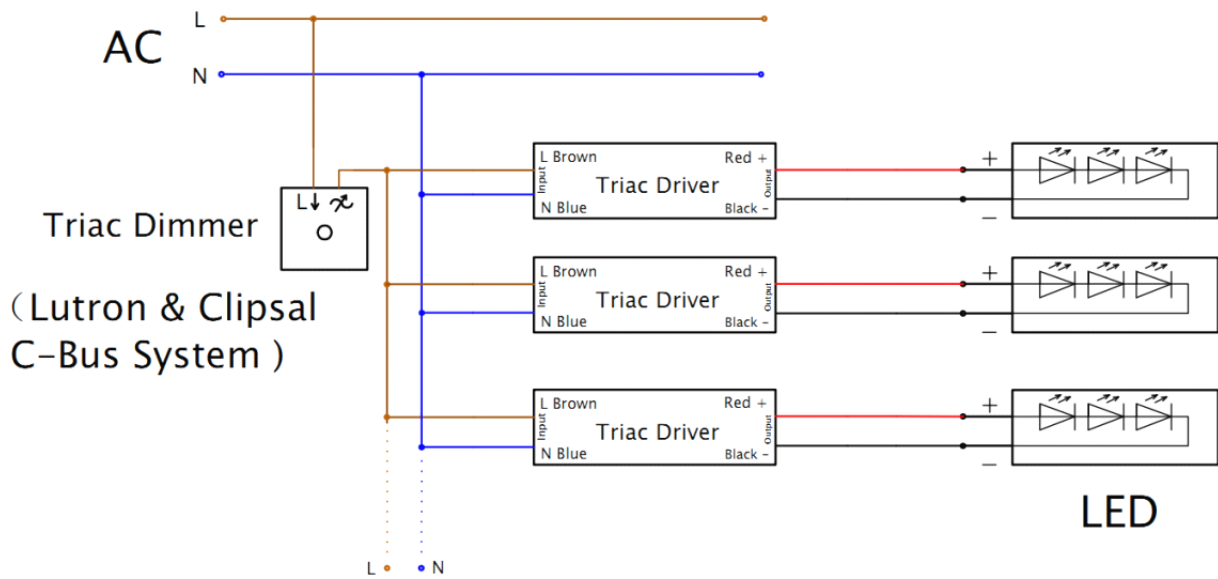
■ Single Driver Connecting Diagram



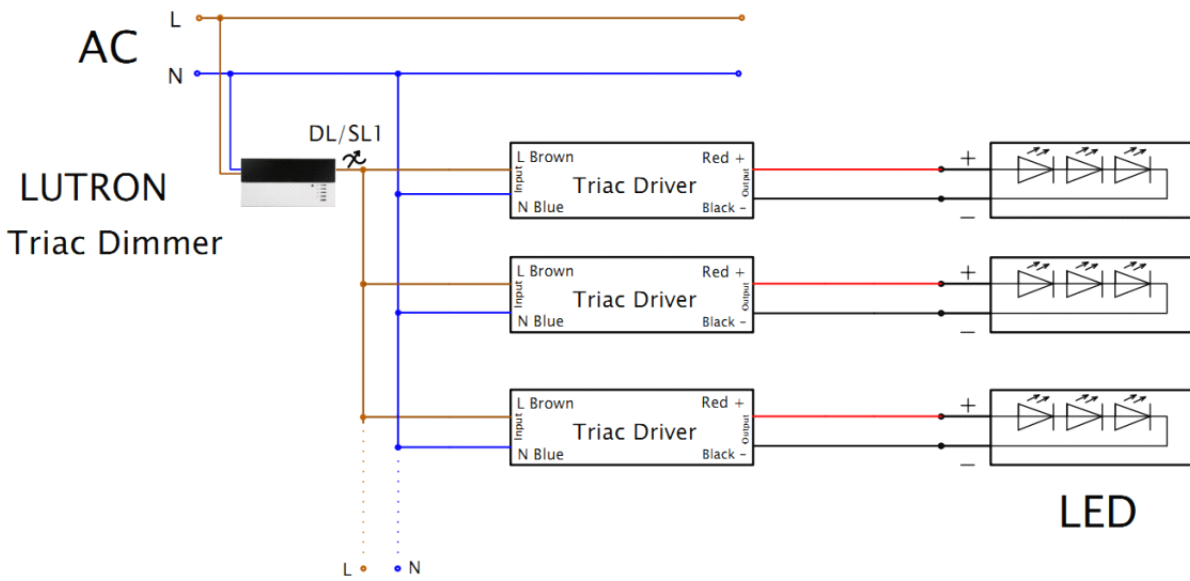
Constant Voltage Phase/Triac dimmable driver---50W series PWM output



Multiple Drivers Connecting Diagram



Constant Voltage Phase/Triac dimmable driver---50W series PWM output



Please visit our website:for more information! www.scpower.net.cn