

Constant Voltage Phase/Triac dimmable driver---150W series PWM output



■ Features

- Output constant voltage
- Universal AC input: 100-130VAC
- High efficiency : up to 87%
- Protection:short circuit/over loading/over current/ Over temperature
- Full protection aluminum housing
- Easy installation
- Cooling by free air convection
- Compatible with Forward phase,Magnetic low voltage,Triac Dimmer
- Strong compatibility, flicker-free dimming
- Suitable for LED lighting and moving sign applications and others
- Provide with a junction box for connection to line voltage
- Suitable for indoor and outdoor location use, IP66



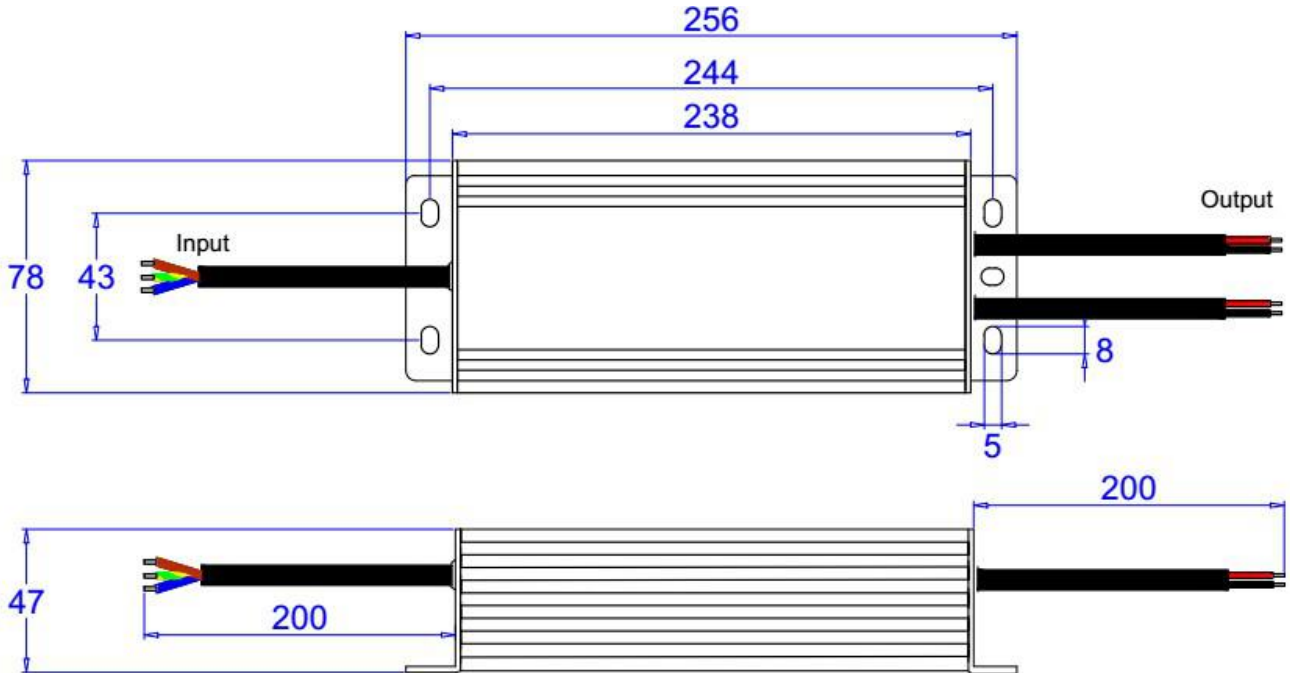
■ Specification

Model		KVP-12150-TDL	KVP-24150-TDL	KVP-36150-TDL	KVP-48150-TDL
Certificates		ETL,cETL,FCC	ETL,cETL,FCC	ETL,cETL,FCC	ETL,FCC
Output	DC Voltage	12V	24V	36V	48V
	Voltage Tolerance	±0.5V			
	Rated current	12.5A	6.25A	4.17A	3.1A
	Rated power	150W			
Input	Voltage Range	100~130VAC			
	Frequency Range	50~60HZ			
	Power Factor	0.65 (Full loading)			
	Efficiency (Typ.)	84%	86%	87%	87%
	AC Current (Max.)	2.4A	2.4A	2.4A	2.4A
	Leakage current	< 0.50mA/120VAC			
Protection	Short Circuit	Hiccup mode, recover automatically after fault condition is removed			
	Over Current	≤1.2*I out			
	Over Loading	≤120%			
	Over temperature	100℃±10℃, Shut down o/p voltage, recover automatically after temperature goes down.			
Environment	Working TEMP.	-40~+60℃			
	Working Humidity	20~95%RH, non-condensing			
	Storage TEMP. Humidity	-40~+80℃, 10~95%RH			
	TEMP .coefficient	±0.03%/℃ (0~50℃)			
	Vibration	10~500Hz, 5G 12min./1 cycle, period for 72min. each along X,Y,Z axes			
Safety & EMC	Safety standards	UL1012			
	Withstand voltage	I/P-O/P:1500VAC			
	Isolation resistance	I/P-O/P: 100MΩ/500VDC/25℃/70%RH			
	EMC EMISSION	FCC Part 15 B			
Others	Net. Weight	1.65Kg		With junction 2.38Kg	
	Size	256*78*47mm (L*W*H)		406*87*60mm (L*W*H)	
	packing	305*295*210mm 10PCS/CTN		445*350*205mm 10PCS/CTN	

Constant Voltage Phase/Triac dimmable driver---150W series PWM output

Notes	<ol style="list-style-type: none"> 1. All parameters if NOT specially mentioned are measured at 120VAC input , rated load and 25°C of ambient temperature. 2. To extend the driver's using life ,please reduce the loading at lower input voltage. 3.Loading should be 5-100%.
--------------	---

■ Mechanical Specification for KVP series 150W Phase/Triac Dimmable driver



■ Label

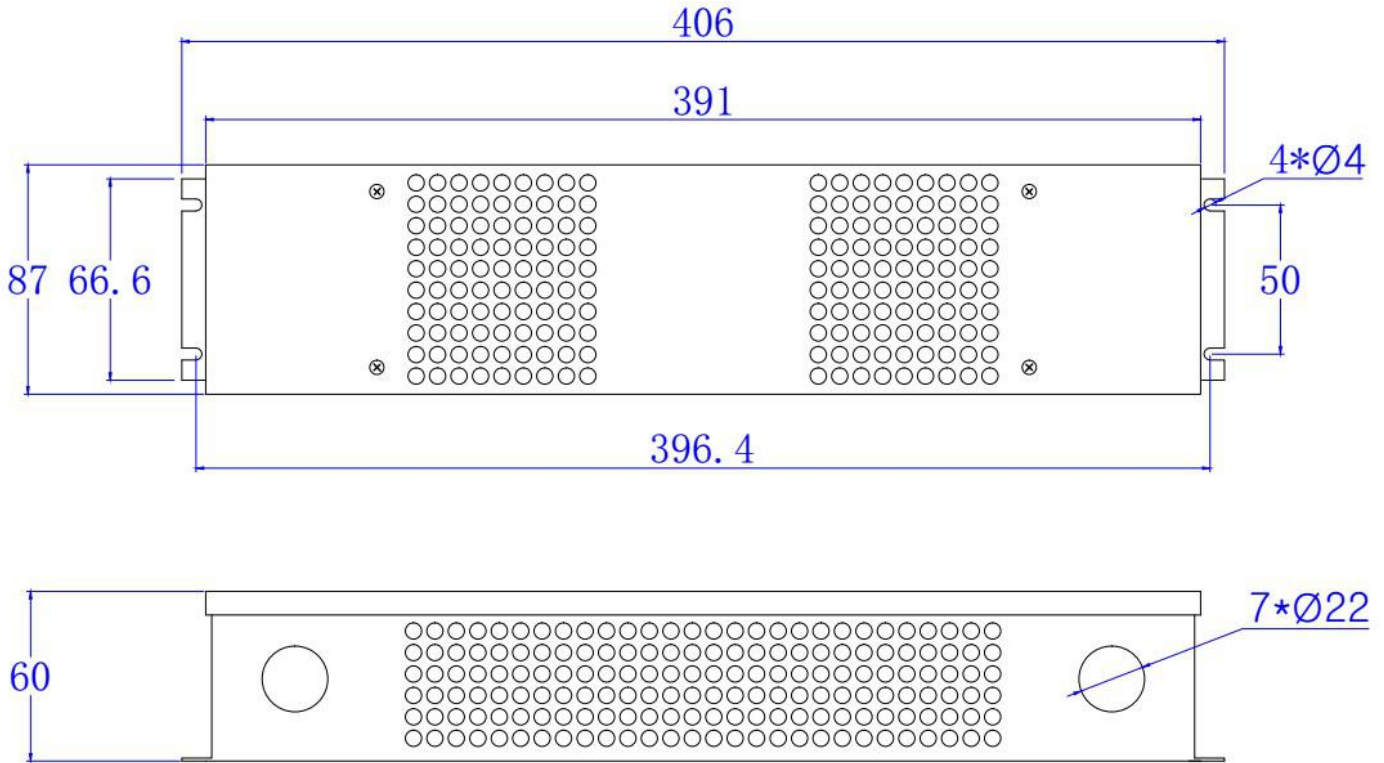
<p>● L Black</p> <p>● N White</p> <p>Green</p> <p>Input</p>	<p>LED Driver (Phase Dimming) for Forward phase and Reverse phase, ELV, Triac Dimmers</p> <p>Maximum Voltage: Class 2 only</p> <p>Model: K-120W-TDL</p> <p>Input: 100-130V~0.77A 50/60Hz λ:0.95</p> <p>Output: 12V~3A 30W</p> <p>Rainproof étanche à la pluie</p> <p>CONFORMS TO UL STD.8750 CERTIFIED TO CSA STD. C22.2 No.250.13 CONFORMS TO UL STD.1310 CERTIFIED TO CSA STD. C22.2 No.223</p> <p>Building 3, No.19, Yongtian Road, Qianshan Industrial Zone, Zhuhai City, Guangdong Province, China</p>		<p>CAUTION ATTENTION</p> <p>WARNING: Risk of Electric Shock. Mount the unit at a height greater than 1.8m from the ground surface.</p> <p>AVERTISSEMENT: Risque de choc électrique. Monter l'unité à une hauteur supérieure à 30 cm de la surface du sol.</p> <p>WARNING: Risk of Electric Shock. Install only on a circuit protected by a Class A GFCI.</p> <p>AVERTISSEMENT: Risque de choc électrique. Installez uniquement sur un circuit protégé par un disjoncteur différentiel de classe A/GFCI.</p> <p>SUITABLE FOR WET LOCATIONS CONVIENT AUX EMPLACEMENTS MOUILLES</p>	<p>+ Red ●</p> <p>Output</p> <p>- Black ●</p>
---	--	--	---	---

※ Input black(L) and white(N) wires to be connected AC, Green wire to be connected ground; output red and black wires to be connected led lighting.

■ Mechanical Specification for 150W Phase/Triac Dimmable Driver with junction box



Constant Voltage Phase/Triac dimmable driver---150W series PWM output



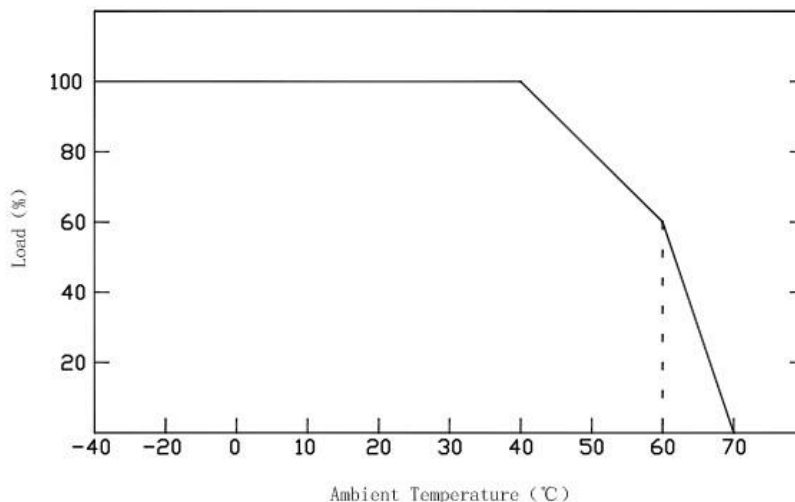
■ Dimming Operation

- ※ Output constant current level can be adjusted through input terminal of the AC phase line(L) by connection a phase/triac dimmer.
- ※ For forward phase, Magnetic low voltage and Triac Dimmer

■ Warning

- ※ Prevent to reverse polarity; Output polarity: RED "+"; BLACK "-"
- ※ Risk of Electric Shock. When used outdoors, install only on a circuit protected by a Class A GFCI;
- ※ Risk of Fire. Installation involves special wiring methods to run wiring through a building structure. Consult a qualified electrician;
- ※ Risk of Electric Shock. Mount the unit at a height greater than 1 foot from the ground surface.

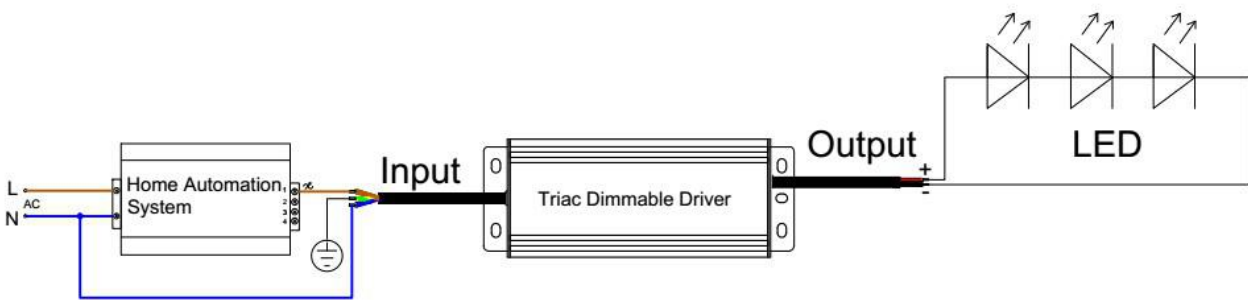
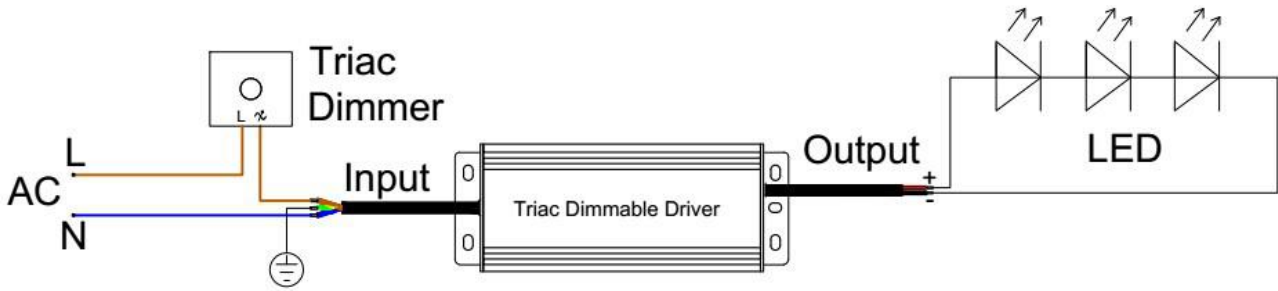
■ Derating Curve



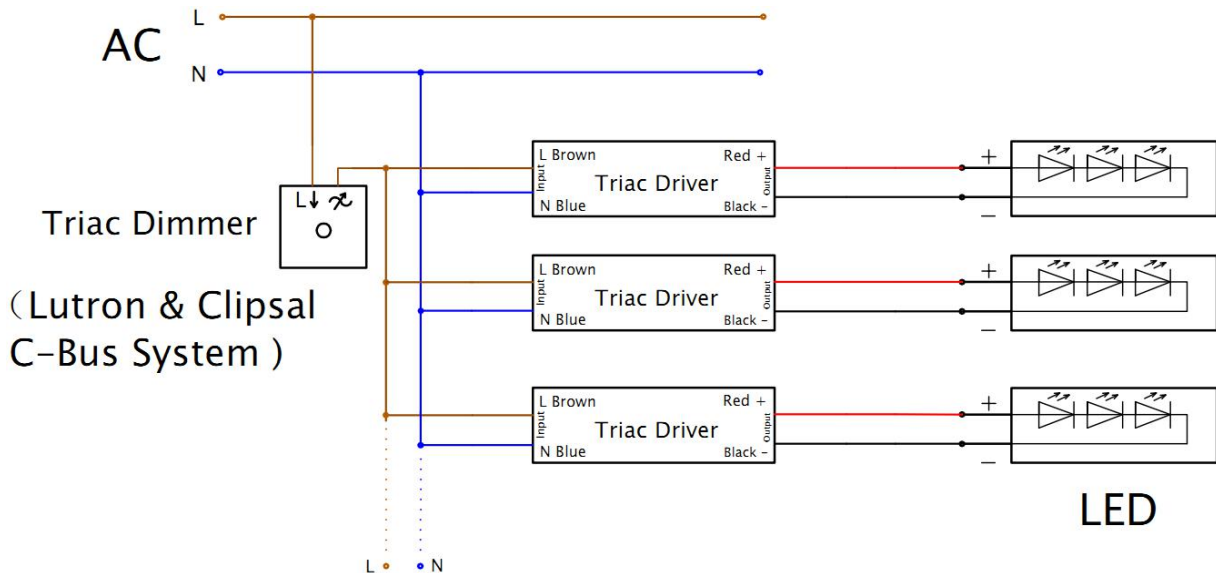
※ To extend their life, please refer to the Derating Curve and derate according to the temperature.

Constant Voltage Phase/Triac dimmable driver---150W series PWM output

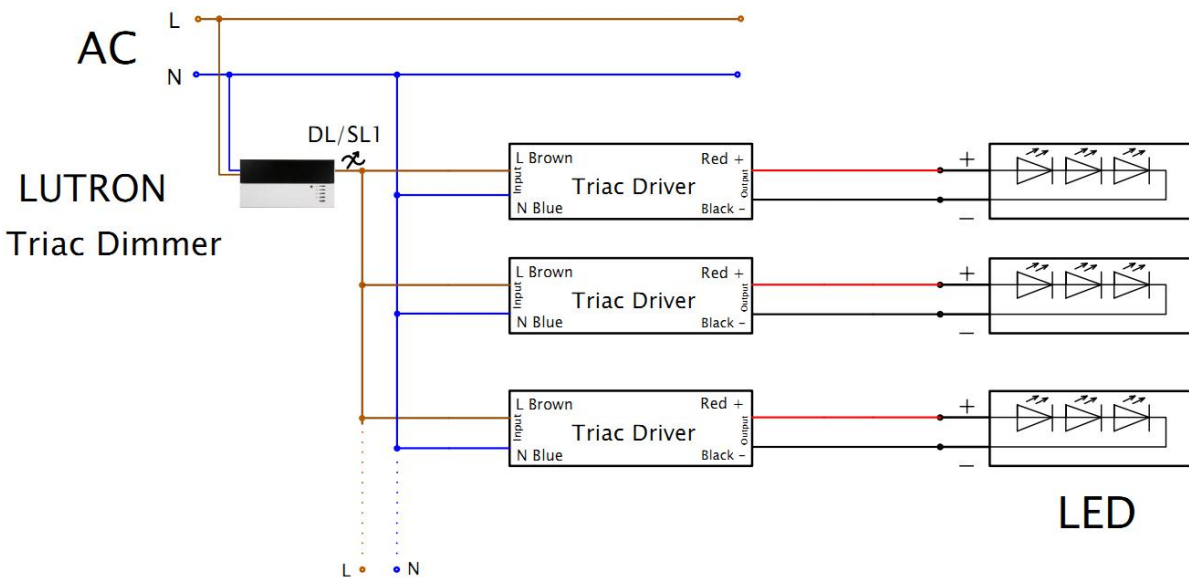
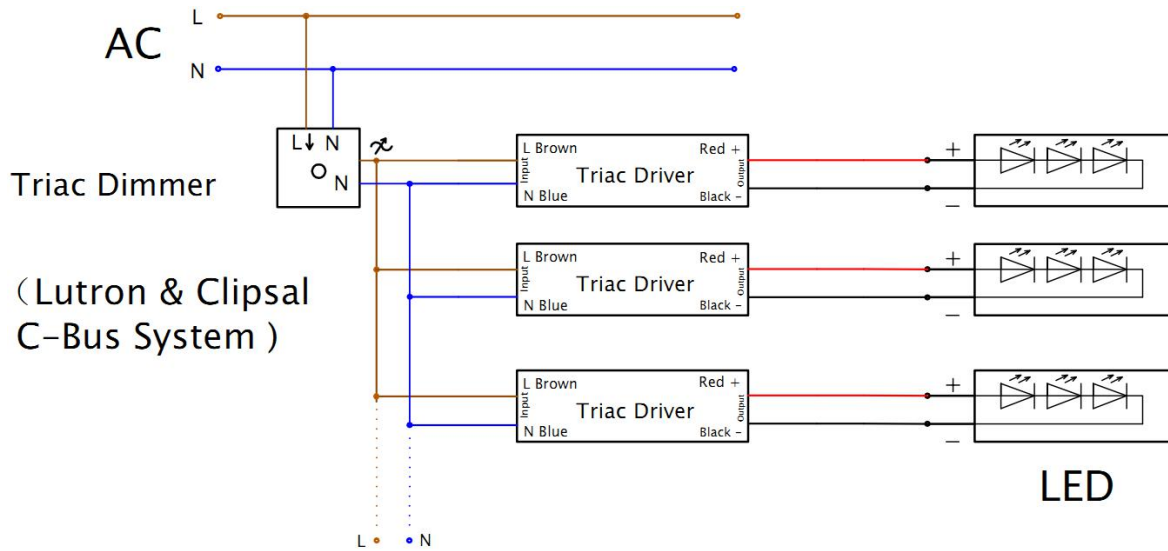
■ Single Driver Connecting Diagram



■ Multiple Drivers Connecting Diagram



Constant Voltage Phase/Triac dimmable driver---150W series PWM output



Please visit our website:for more information! www.scpower.net.cn