

Constant Voltage Phase/Triac dimmable driver---20W series

■ Features:

- Output constant voltage
- Universal AC input: 100-130VAC
- High efficiency :u p to 80%
- Protection:short circuit/over loading/over current/ Over temperature
- Full protection plastic housing
- Easy installation
- Cooling by free air convection
- Compatible with Forward & Reverse phase, Triac, ELV Dimmers
- Strong compatibility, flicker-free dimming
- Suitable for LED lighting and moving sign applications and others
- Suitable for dry or damp location use, IP20



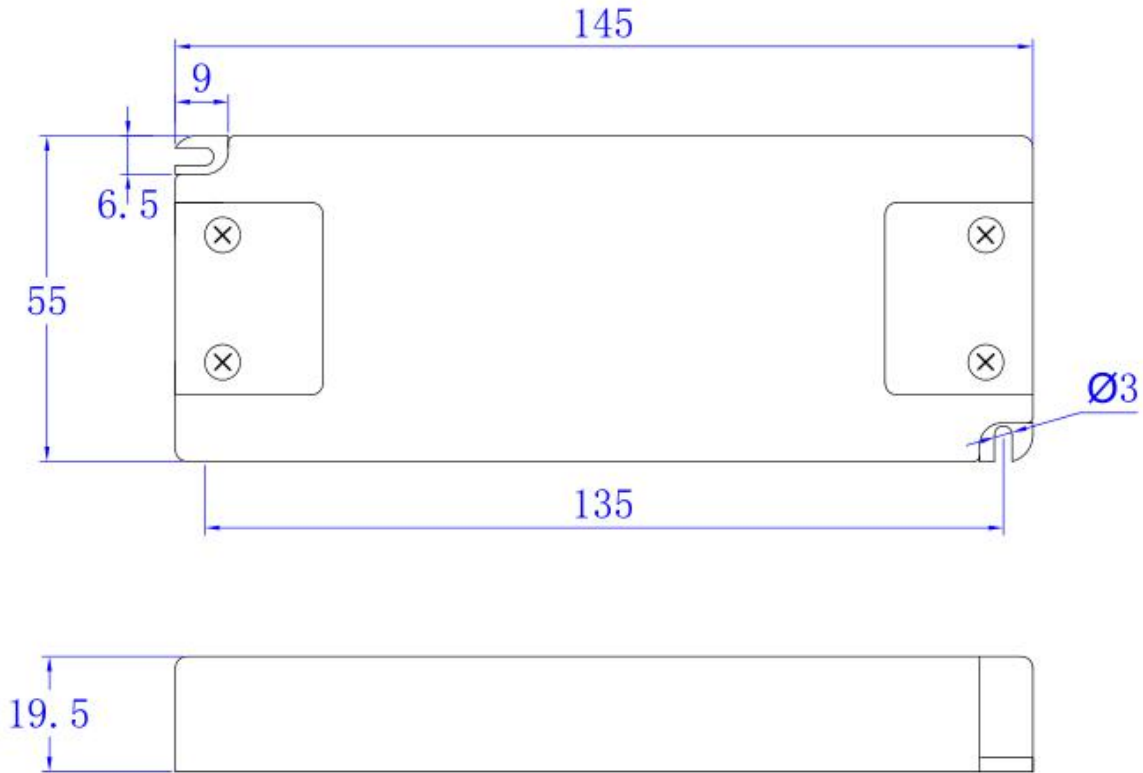
■ Specification

Model		KV-12020-TDL	KV-24020-TDL	KV-36020-TDL	KV-48020-TDL
Certificates		ETL,cETL,FCC		ETL,cETL,FCC	
Output	DC Voltage	12V	24V	36V	48V
	Voltage Tolerance	±0.5V			
	Rated current	0.83A	0.42A	0.28A	0.21A
	Rated power	20W			
Input	Voltage Range	100~130VAC			
	Frequency Range	47~63HZ			
	Power Factor	PF≥0.95 (Full loading)			
	Efficiency (Typ.)	78%	79%	79%	80%
	AC Current (Max.)	0.26A	0.24A	0.23A	0.23A
	Leakage current	< 0.50mA/120VAC			
Protection	Short Circuit	Hiccup mode, recover automatically after fault condition is removed			
	Over Current	≤1.2*I out			
	Over Loading	≤120%			
	Over temperature	100℃±10℃, Shut down o/p voltage, recover automatically after temperature goes down.			
Environment	Working TEMP.	-40~+60℃			
	Working Humidity	20~90%RH, non-condensing			
	Storage TEMP. Humidity	-40~+80℃, 10~95%RH			
	TEMP .coefficient	±0.03%/℃ (0~50℃)			
	Vibration	10~500Hz, 2G 12min./1 cycle,period for 72min. each along X,Y,Z axes			
Safety& EMC	Safety standards	UL8750+UL1310 Class 2 unit			
	Withstand voltage	I/P-O/P:1500VAC			
	Isolation resistance	I/P-O/P: 100MΩ/500VDC/25℃/70%RH			
	EMC EMISSION	FCC Part 15 B			
Others	Net. Weight	0.2Kg			
	Size	140*55*19.5mm (L*W*H)			
	packing	350*280*215mm 50PCS/CTN			

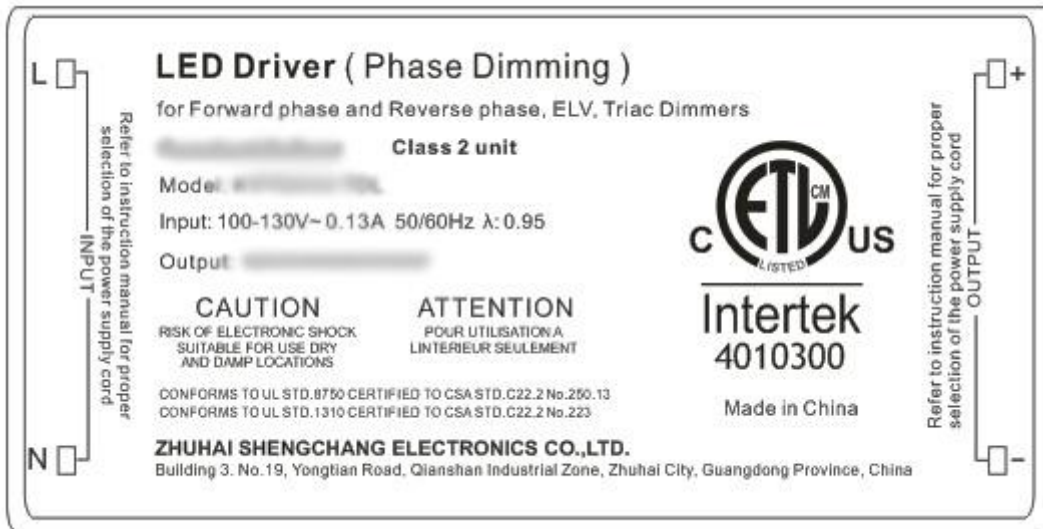
Constant Voltage Phase/Triac dimmable driver---20W series

Notes	<p>1. All parameters if NOT specially mentioned are measured at 120VAC input , rated load and 25°C of ambient temperature.</p> <p>2. To extend the driver's using life ,please reduce the loading at lower input voltage.</p> <p>3.Loading should be 60-100%.</p>
--------------	---

■ Mechanical Specification for KV series 20W Phase/Triac Dimmable driver



■ Label



- ※ Input (L) and (N) with wires to be connected AC.
- ※ Output LED : (LED+) (LED-)

Constant Voltage Phase/Triac dimmable driver---20W series

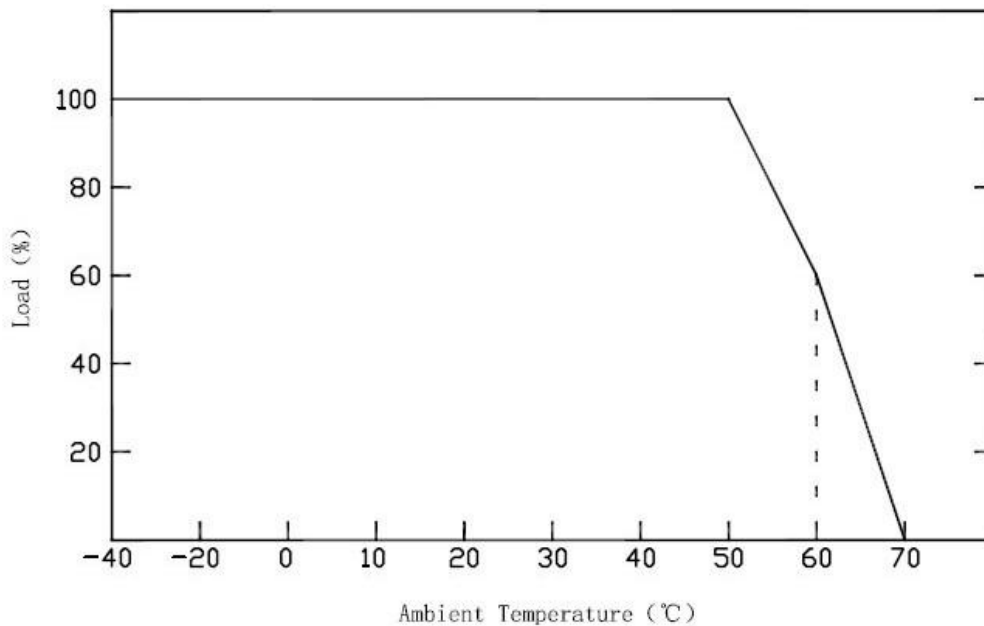
■ Dimming Operation

- ※ Output power can be adjusted through input terminal of the AC phase line(L) by connection a phase/triac dimmer.
- ※ Forward phase and Reverse phase, ELV, Triac Dimmers

■ Warning

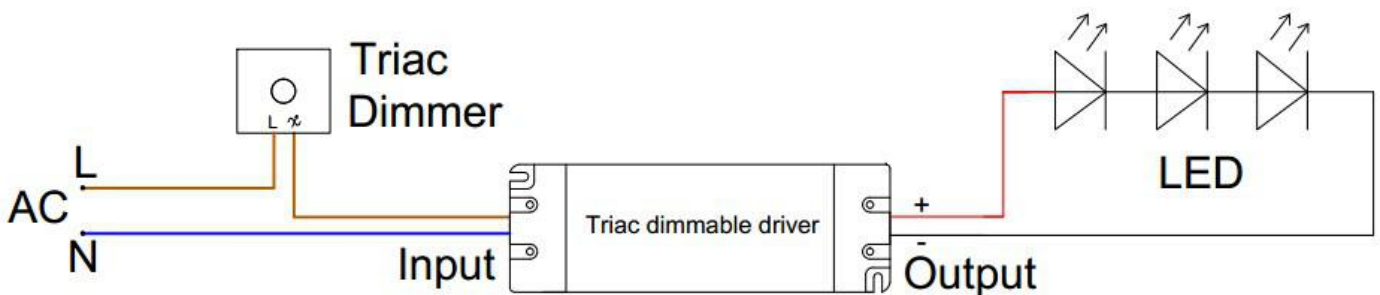
- ※ Prevent to reverse polarity;
- ※ Risk of Electric Shock. When used outdoors, install only on a circuit protected by a Class A GFCI;
- ※ Risk of Fire. Installation involves special wiring methods to run wiring through a building structure. Consult a qualified electrician;
- ※ Risk of Electric Shock. Mount the unit at a height greater than 1 foot from the ground surface.

■ Derating Curve

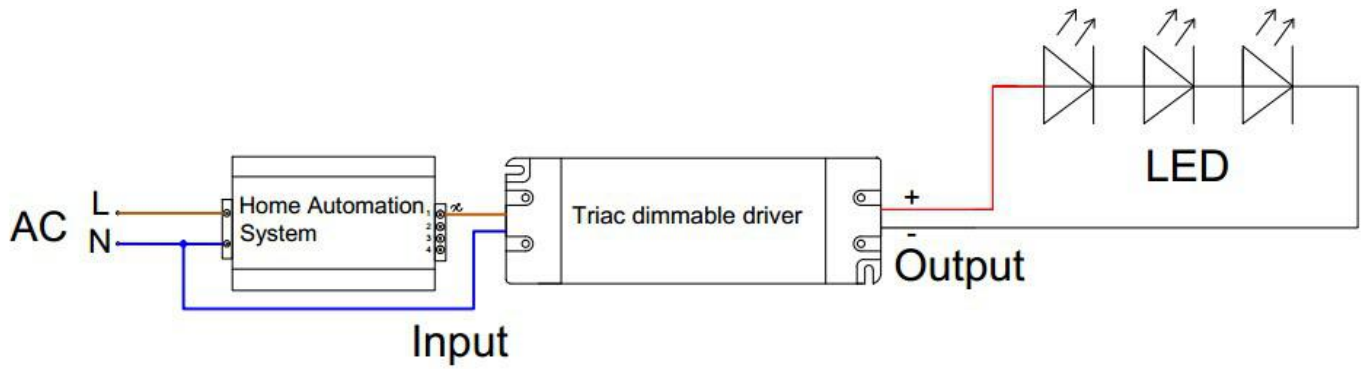


※ To extend their life, please refer to the Derating Curve and derate according to the temperature

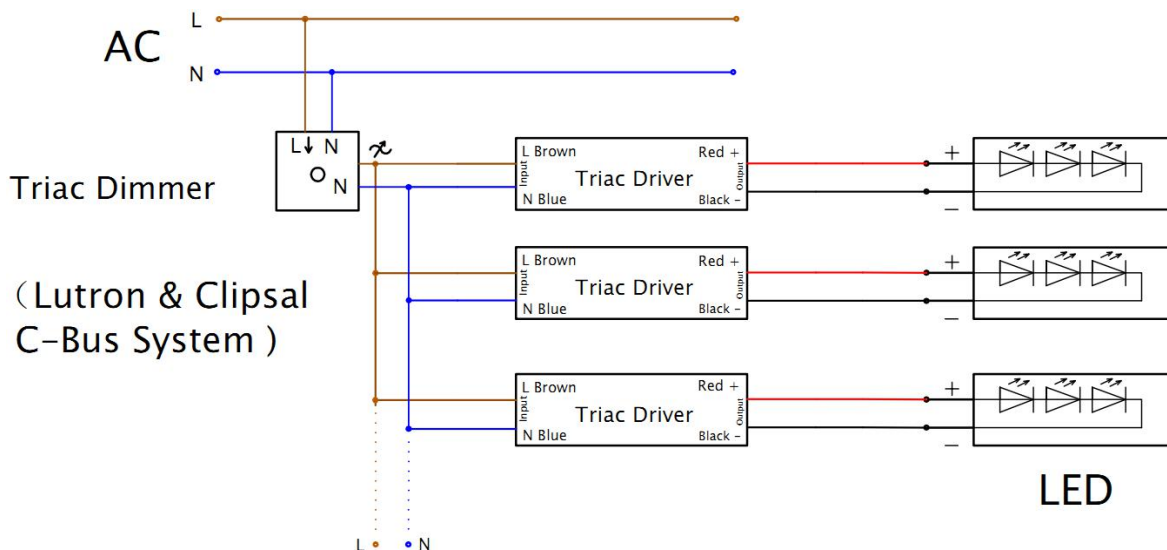
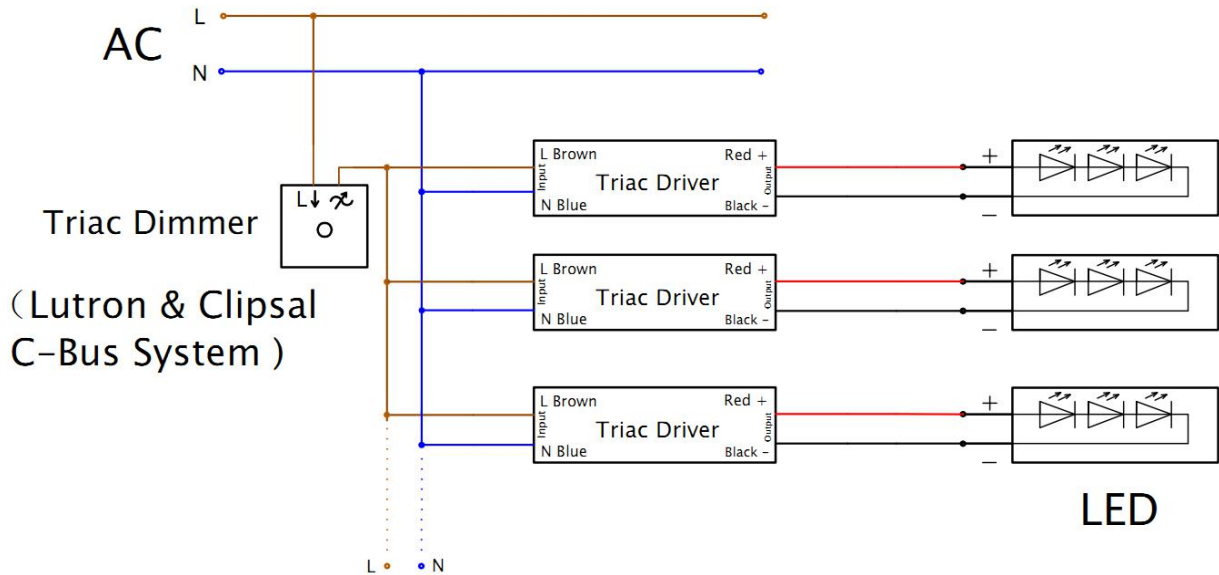
■ Single Driver Connecting Diagram



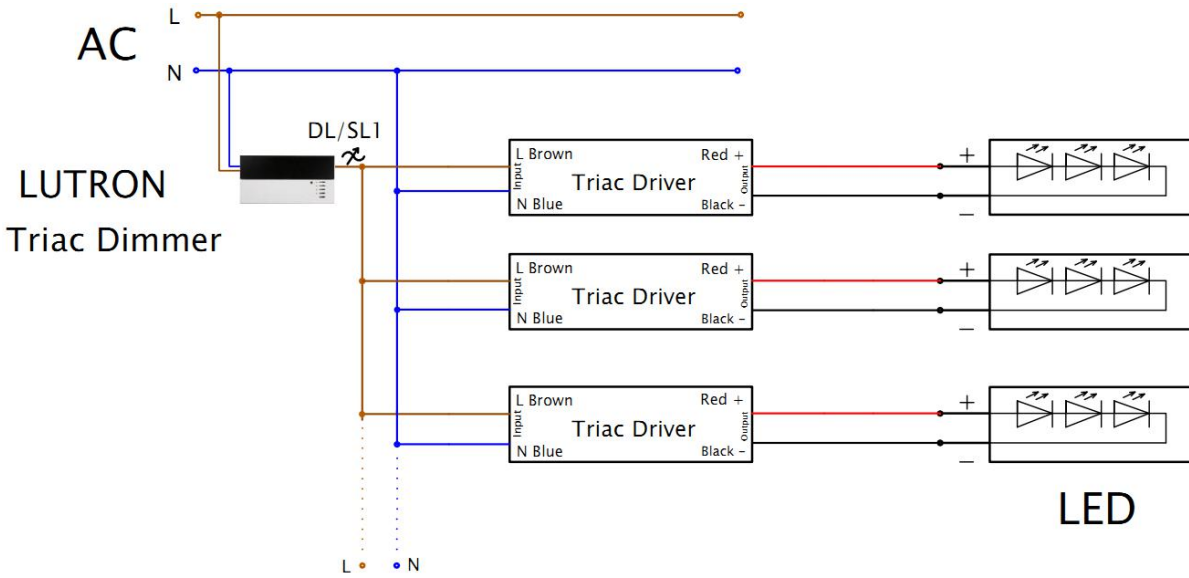
Constant Voltage Phase/Triac dimmable driver---20W series



■ Multiple Drivers Connecting Diagram



Constant Voltage Phase/Triac dimmable driver---20W series



Please visit our website:for more information! www.scpower.net.cn