

Constant Voltage Phase/Triac dimmable driver---60W series



■ Features:

- Output constant voltage
- Universal AC input: 100-130VAC
- High efficiency :up to 87%
- Protection:short circuit/over loading/over current/ Over temperature
- Full protection aluminum housing
- Easy installation
- Cooling by free air convection
- Compatible with Forward & Reverse phase, Triac, ELV Dimmers
- Strong compatibility, flicker-free dimming
- Suitable for LED lighting and moving sign applications and others
- Provide with a junction box for connection to line voltage
- Suitable for wet location use, IP66



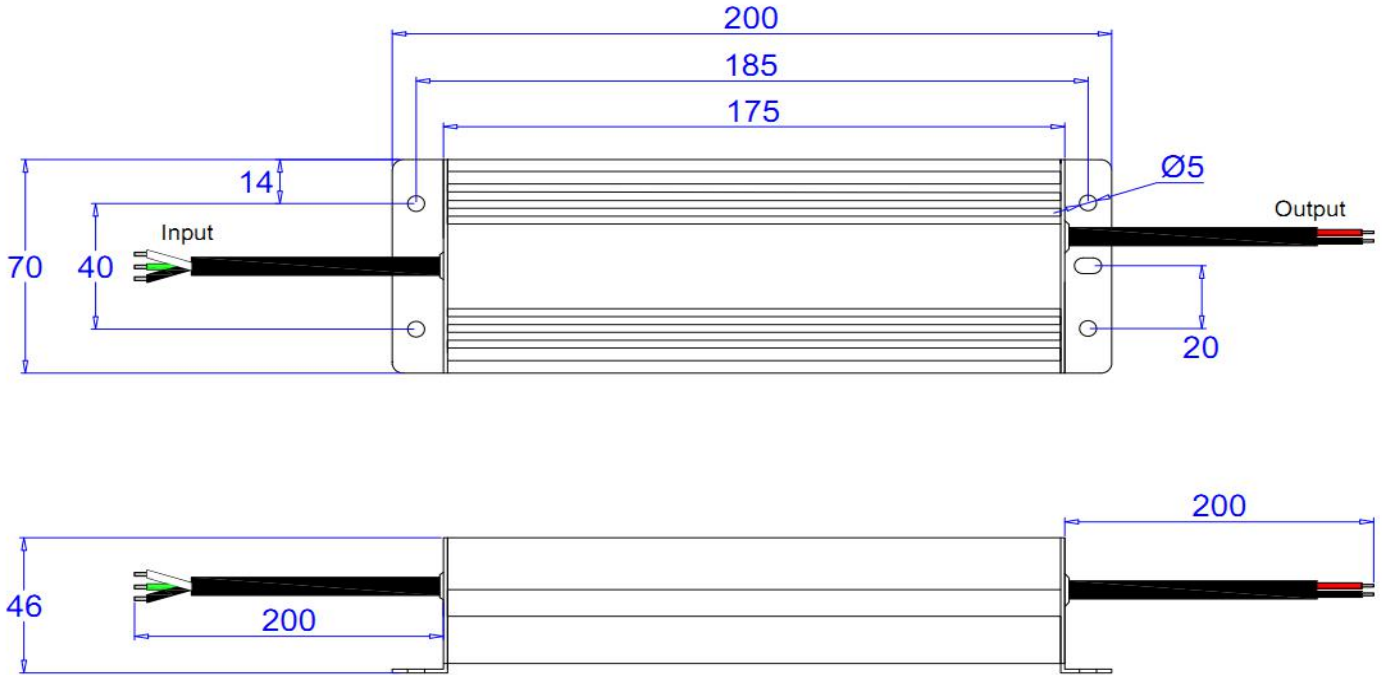
■ Specification

Model		KV-12060-TDL	KV-24060-TDL	KV-36060-TDL	KV-48060-TDL
Certificates		ETL,cETL,FCC			
Output	DC Voltage	12V	24V	36V	48V
	Voltage Tolerance	±0.5V			
	Rated current	5A	2.5A	1.65A	1.25A
	Rated power	60W			
Input	Voltage Range	100~130VAC			
	Frequency Range	47~63HZ			
	Power Factor	PF≥ 0.95 (Full loading)			
	Efficiency (Typ.)	82%	85%	86%	87%
	AC Current (Max.)	0.77A	0.76A	0.74A	0.72A
	Leakage current	< 0.50mA/120VAC			
Protection	Short Circuit	Hiccup mode, recover automatically after fault condition is removed			
	Over Current	≤1.2*I out			
	Over Loading	≤120%			
	Over temperature	100℃±10℃, Shut down o/p voltage, recover automatically after temperature goes down.			
Environment	Working TEMP.	-40~+60℃			
	Working Humidity	20~95%RH, non-condensing			
	Storage TEMP. Humidity	-40~+80℃, 10~95%RH			
	TEMP .coefficient	±0.03%/℃ (0~50℃)			
	Vibration	10~500Hz, 5G 12min./1 cycle, period for 72min. each along X,Y,Z axes			
Safety& EMC	Safety standards	UL8750+UL1310 Class 2 unit			
	Withstand voltage	I/P-O/P:1500VAC			
	Isolation resistance	I/P-O/P: 100MΩ/500VDC/25℃/70%RH			
	EMC EMISSION	FCC Part 15 B			
Others	Net. Weight	0.95 Kg	1.55Kg (with junction box)		
	Size	200*70*46mm (L*W*H)		350*77*57mm(L*W*H) (with junction box)	
	packing	329*279*176mm 10PCS		350*85*65mm 10PCS	

Constant Voltage Phase/Triac dimmable driver--60W series

Notes	<p>1. All parameters if NOT specially mentioned are measured at 120VAC input , rated load and 25°C of ambient temperature.</p> <p>2. To extend the driver's using life ,please reduce the loading at lower input voltage.</p> <p>3.Loading should be 60-100%.</p>
--------------	---

■ Mechanical Specification for KV series 60W Phase/Triac Dimmable driver



■ Label

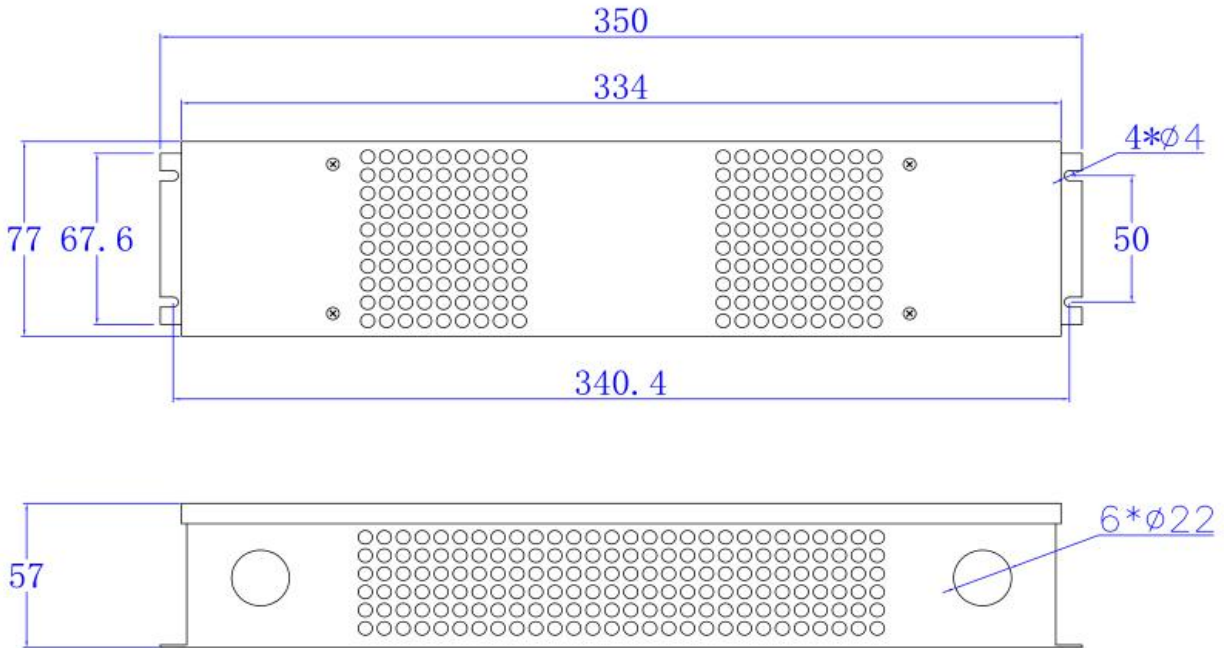
<p>● L Black</p> <p>Input</p> <p>Green</p> <p>● N White</p>	<p>LED Driver (Phase Dimming) for Forward phase and Reverse phase, ELV, Triac Dimmers</p> <p><i>Constant Voltage Class B dimmer</i></p> <p>Model: KV-60W-TDL Input: 100-130V~0.5VA 50/60Hz λ:0.95 Output: 120V~60W 60W</p> <p>Rainproof étanche à la pluie</p> <p>CONFORMS TO UL STD. 8750 CERTIFIED TO CSA STD. C22.2 No.250.13 CONFORMS TO UL STD. 1310 CERTIFIED TO CSA STD. C22.2 No.223 Building 3, No.19, Yongtian Road, Qianshan Industrial Zone, Zhuhai City, Guangdong Province, China</p>		<p>CAUTION ATTENTION + Red ●</p> <p>WARNING: Risk of Electric Shock. Mount the unit at a height greater than 1 foot from the ground surface. AVERTISSEMENT: Risque de choc électrique. Monter l'unité à une hauteur supérieure à 30 cm de la surface du sol. WARNING: Risk of Electric Shock. Install only on a circuit protected by a Class A GFCI. AVERTISSEMENT: Risque de choc électrique. Installez uniquement sur un circuit protégé par un disjoncteur différentiel de classe A/GFCI.</p> <p>SUITABLE FOR WET LOCATIONS CONVIENT AUX EMPLACEMENTS MOUILLÉS</p> <p style="text-align: right;">● - Black</p>
--	--	--	---

※ Input black(L) and white(N) wires to be connected AC, Green wire to be connected ground; output red and black wires to be connected led lighting.

■ Mechanical Specification for 60W Phase/Triac Dimmable Driver with junction box



Constant Voltage Phase/Triac dimmable driver---60W series



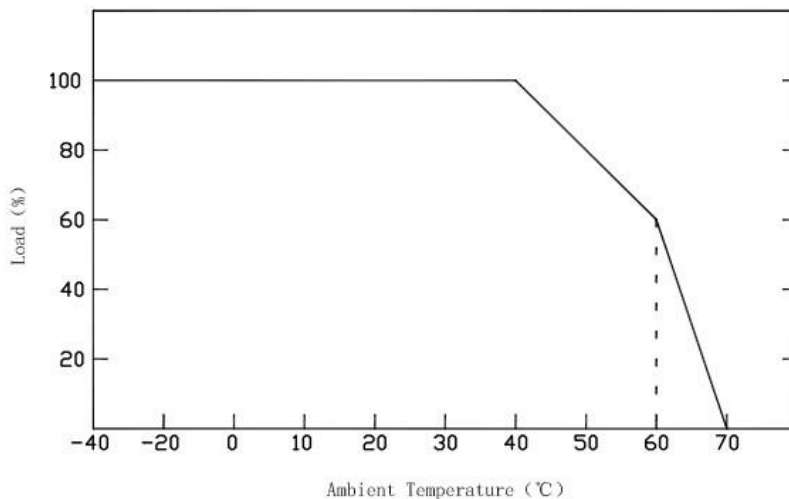
■ Dimming Operation

- ※ Output constant current level can be adjusted through input terminal of the AC phase line(L) by connection a phase/triac dimmer.
- ※ Forward phase and Reverse phase, ELV, Triac Dimmers

■ Warning

- ※ Prevent to reverse polarity; Output polarity: RED "+"; BLACK "-"
- ※ Risk of Electric Shock. When used outdoors, install only on a circuit protected by a Class A GFCI;
- ※ Risk of Fire. Installation involves special wiring methods to run wiring through a building structure. Consult a qualified electrician;
- ※ Risk of Electric Shock. Mount the unit at a height greater than 1 foot from the ground surface.

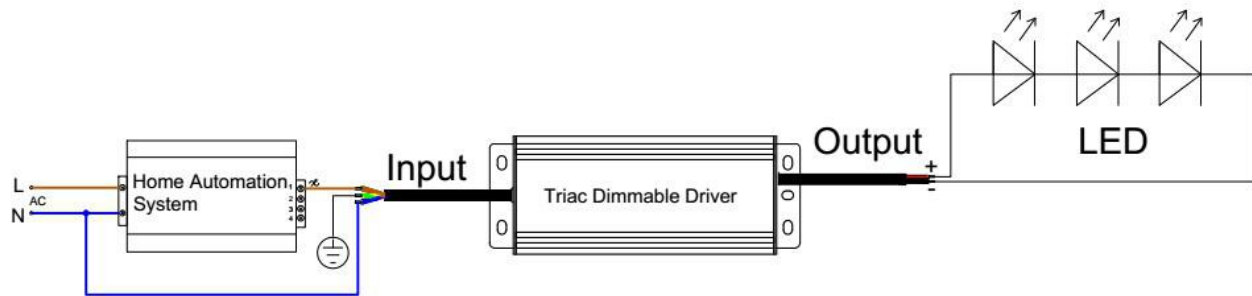
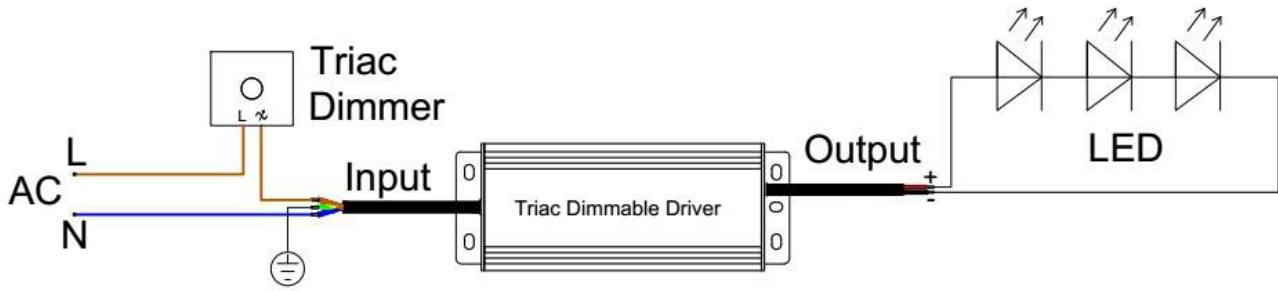
■ Derating Curve



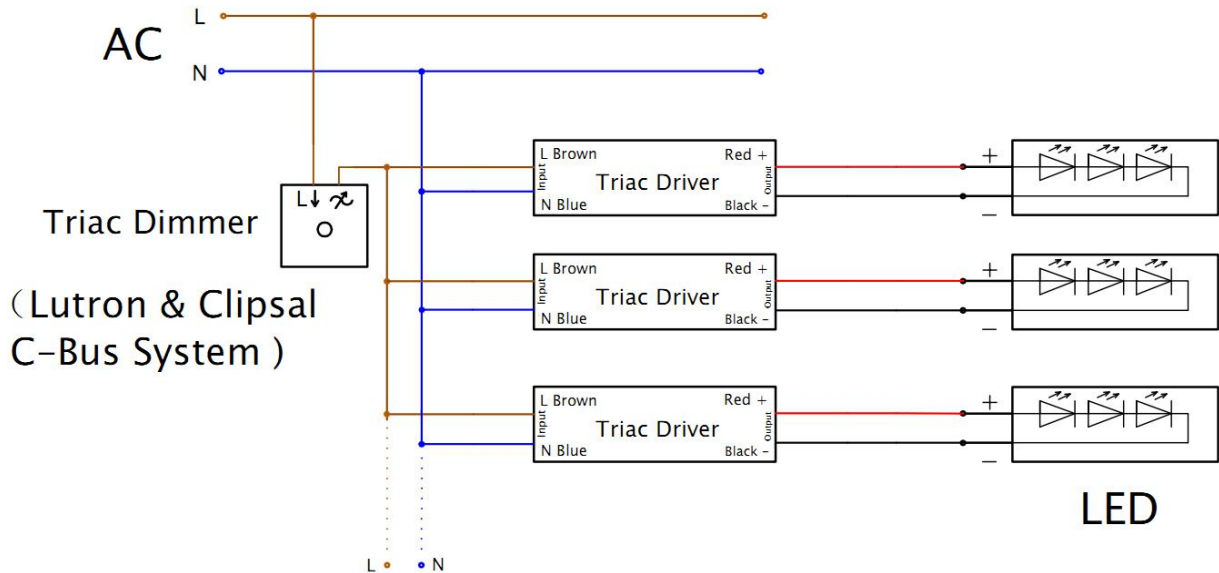
※To extend their life, please refer to the Derating Curve and derate according to the temperature.

Constant Voltage Phase/Triac dimmable driver---60W series

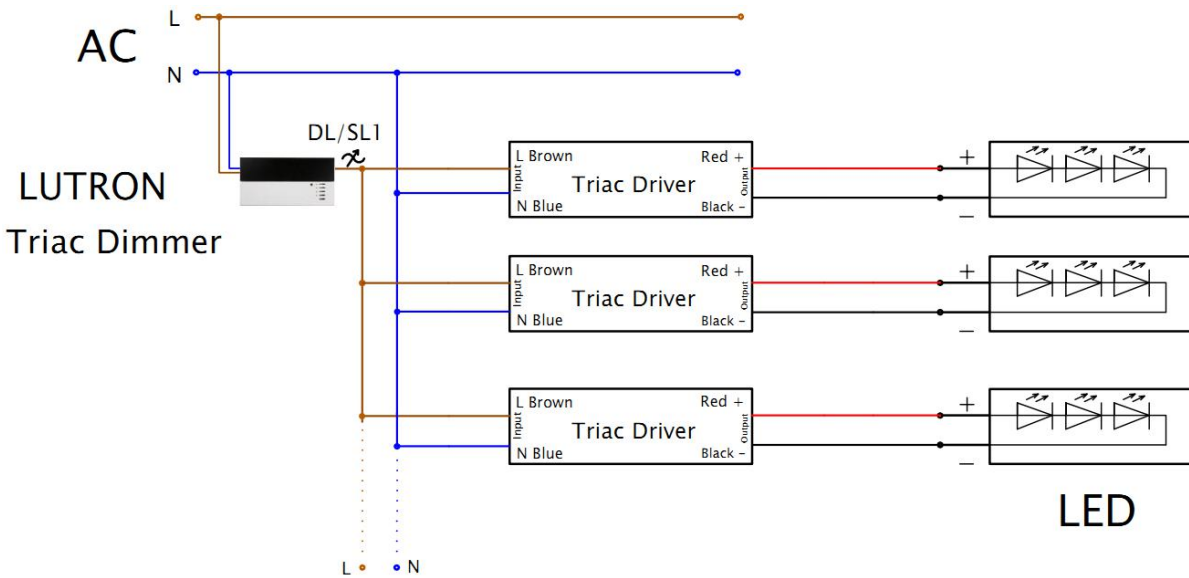
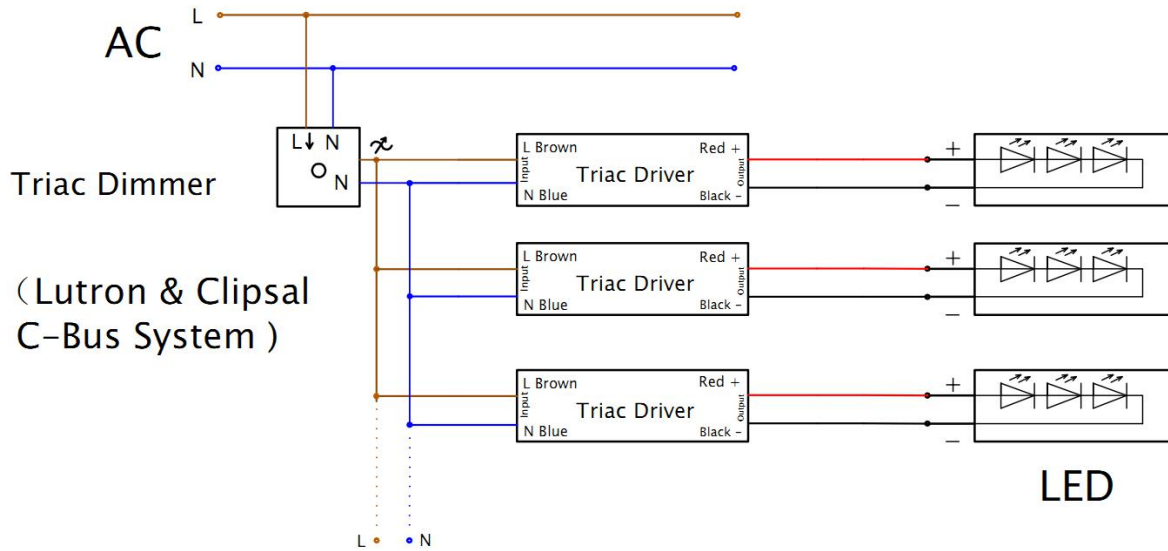
■ Single Driver Connecting Diagram



■ Multiple Drivers Connecting Diagram



Constant Voltage Phase/Triac dimmable driver---60W series



Please visit our website:for more information! www.scpower.net.cn