

Constant Current Phase/Triac dimmable driver---30W series

■ Features:

- Output constant current
- Universal AC input: 100-130VAC
- High efficiency :up to 86%
- Protection:short circuit/over loading/over current/ Over temperature
- Full protection plastic housing
- Easy installation
- Cooling by free air convection
- Compatible with Forward & Reverse phase, Triac, ELV Dimmers
- Strong compatibility, flicker-free dimming
- Suitable for LED lighting and moving sign applications and others
- Suitable for dry location use only, IP20



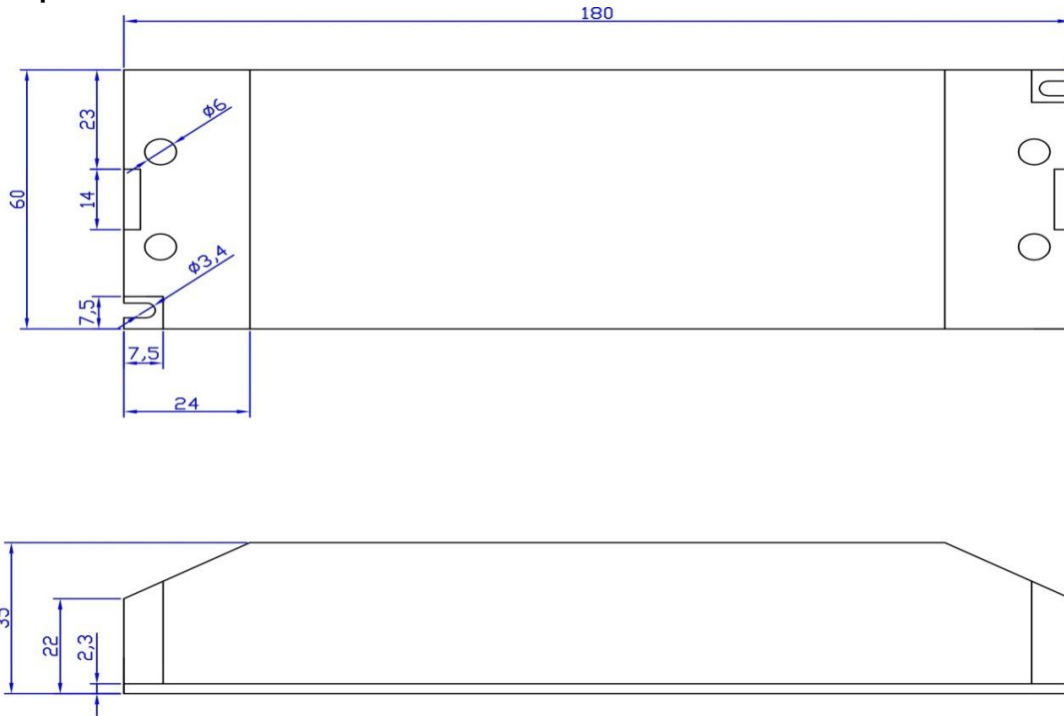
■ Specification

Model	KI-56500-TDL	KI-45700-TDL	KI-36900-TDL	KI-251200-TDL	
Certificates	ETL,FCC	ETL,FCC	ETL,cETL,FCC	ETL,cETL,FCC	
Output	Rated current	500mA	700mA	900mA	1200mA
	Current Tolerance	±5%			
	DC Voltage	32-56V	25-45V	20-36V	15-25V
	Open circuit voltage(Max.)	61V	50V	41V	30V
	Rated power	28W	31.5W	32.4W	30W
Input	Voltage Range	100~130VAC			
	Frequency Range	47~63HZ			
	Power Factor	PF≥0.95 (Full loading)			
	Efficiency (Typ.)	86%	85%	85%	84%
	AC Current (Max.)	0.35A	0.4A	0.42A	0.4A
	Leakage current	< 0.50mA/120VAC			
Protection	Short Circuit	Hiccup mode, recover automatically after fault condition is removed			
	Over Loading	≤120%			
	Over temperature	100℃±10℃, Shut down o/p voltage, recover automatically after temperature goes down.			
Environment	Working TEMP.	-40~+60℃			
	Working Humidity	20~90%RH, non-condensing			
	Storage TEMP. Humidity	-40~+80℃, 10~90%RH			
	TEMP .coefficient	±0.03%/℃ (0~50℃)			
	Vibration	10~500Hz, 2G 12min./1 cycle,period for 72min. each along X,Y,Z axes			
Safety& EMC	Safety standards	UL8750+UL1310 Class 2 unit			
	Withstand voltage	I/P-O/P:1500VAC			
	Isolation resistance	I/P-O/P: 100MΩ/500VDC/25℃/70%RH			
	EMC EMISSION	FCC Part 15 B			
Others	Net. Weight	0.55Kg			
	Size	180*60*35mm (L*W*H)			
	packing	350*195*180mm 20PCS/CTN			

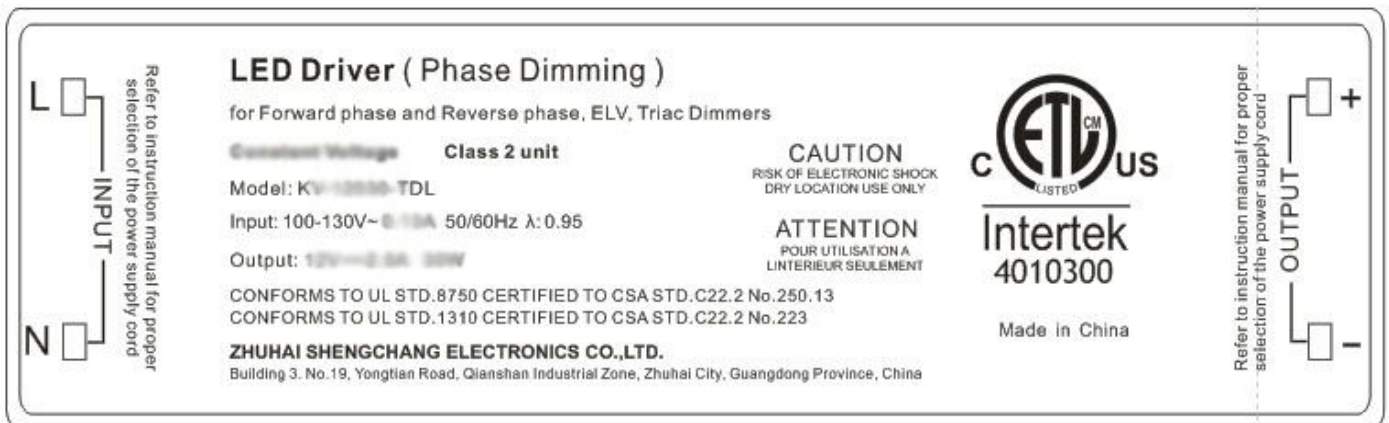
Constant Current Phase/Triac dimmable driver---30W series

Notes	<ol style="list-style-type: none"> 1. All parameters if NOT specially mentioned are measured at 120VAC input , rated load and 25°C of ambient temperature. 2. To extend the driver's using life ,please reduce the loading at lower input voltage. 3.Loading should be 60-100%.
--------------	--

■ Mechanical Specification for KV series 30W Phase/Triac Dimmable driver



■ Label



- ※ Input (L) and (N) with wires to be connected AC.
- ※ Output LED : (LED+) (LED-)

■ Dimming Operation

- ※ Output power can be adjusted through input terminal of the AC phase line(L) by connection a phase/triac dimmer.
- ※Forward phase and Reverse phase, ELV, Triac Dimmers

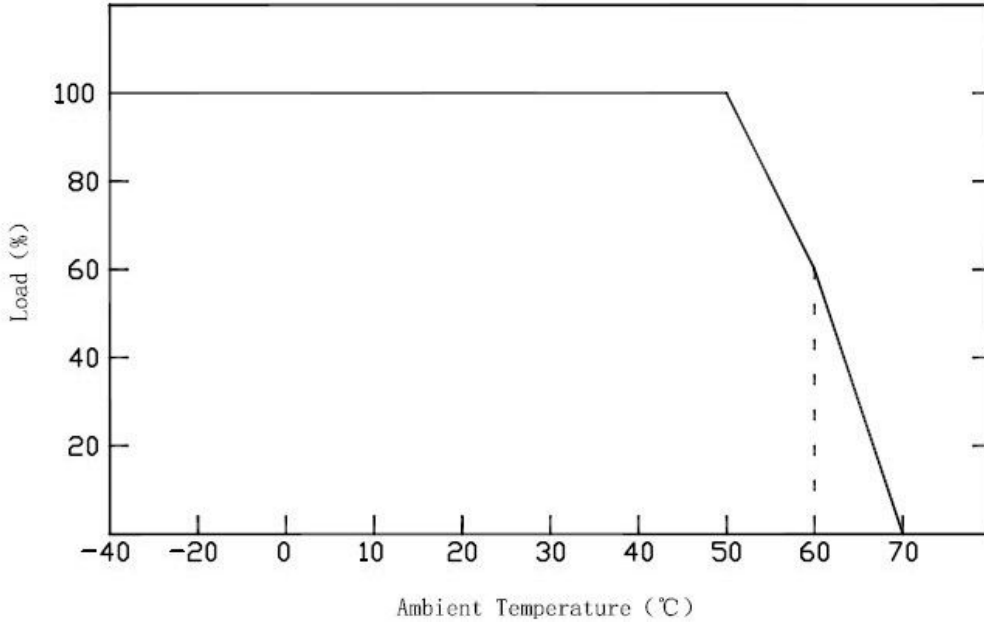
■ Warning

- ※Prevent to reverse polarity;
- ※Risk of Electric Shock. When used outdoors, install only on a circuit protected by a Class A GFCI;

Constant Current Phase/Triac dimmable driver---30W series

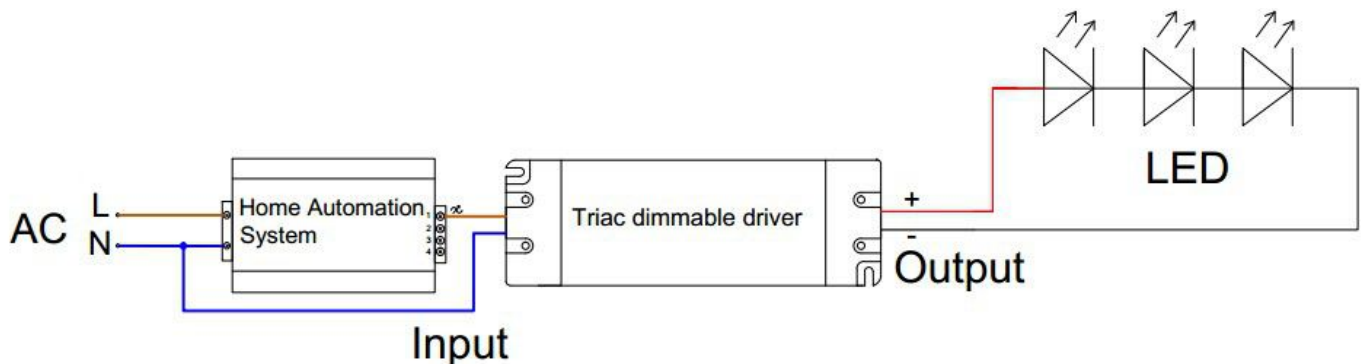
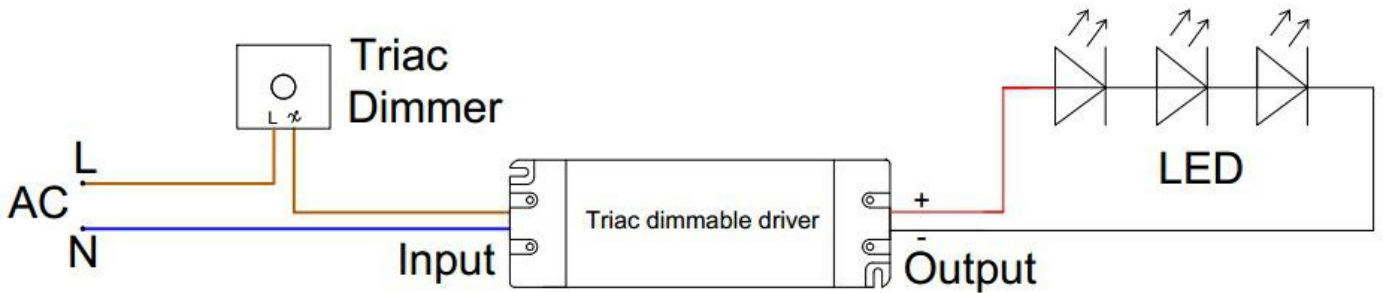
- ※ Risk of Fire. Installation involves special wiring methods to run wiring through a building structure. Consult a qualified electrician;
- ※ Risk of Electric Shock. Mount the unit at a height greater than 1 foot from the ground surface.

■ Derating Curve

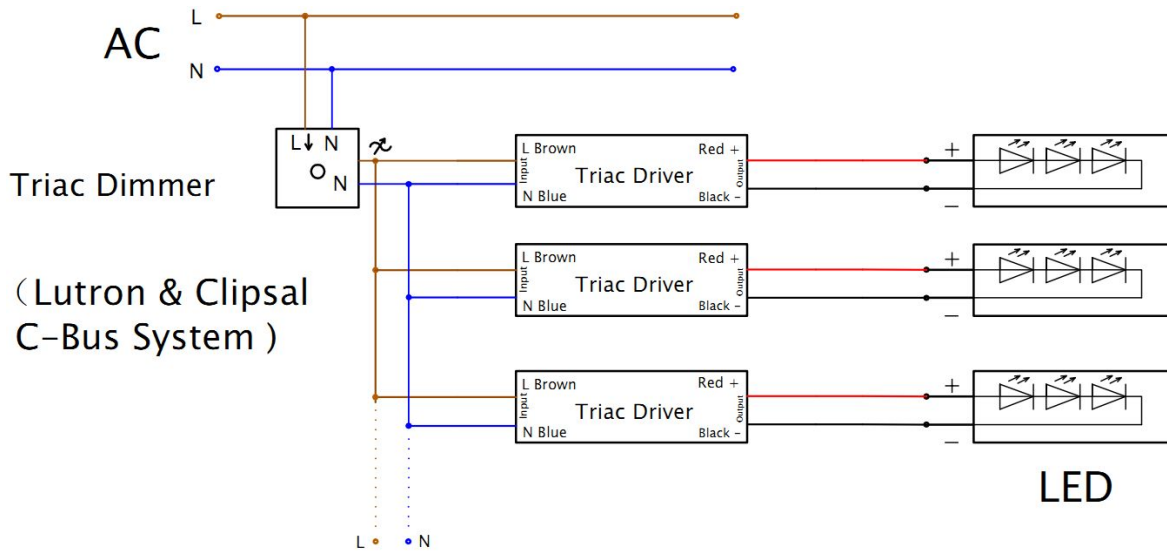
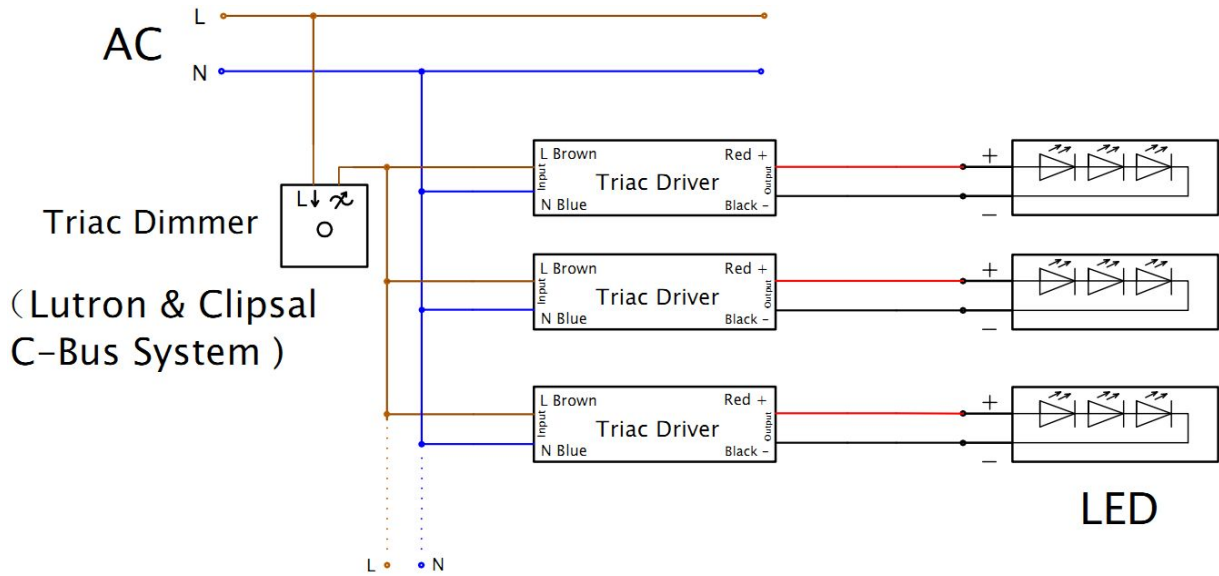


※To extend their life, please refer to the Derating Curve and derate according to the temperature

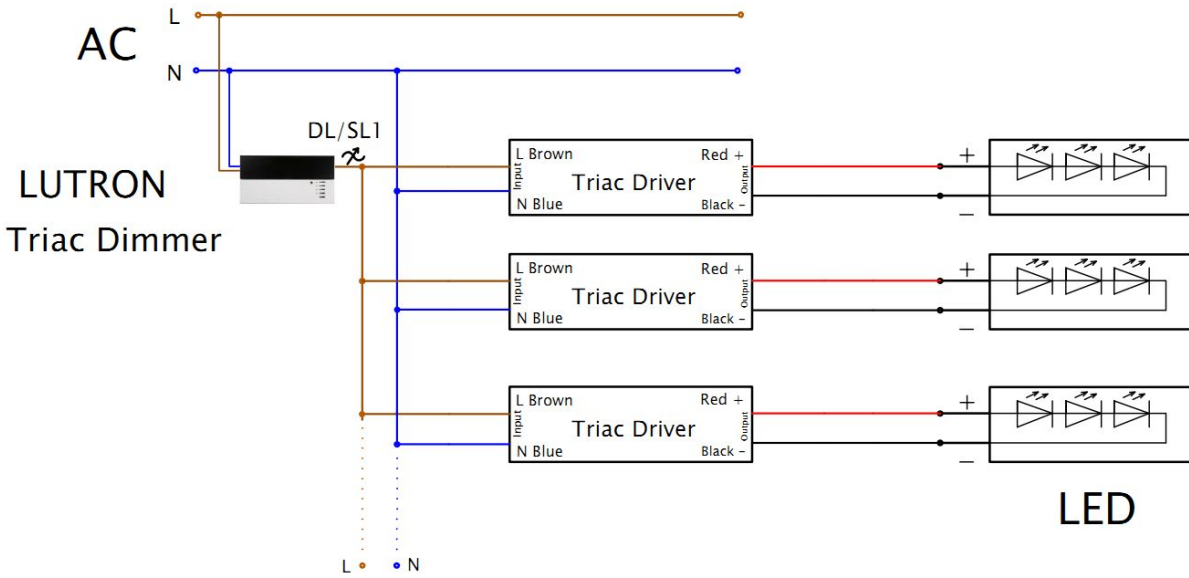
■ Single Driver Connecting Diagram



■ Multiple Drivers Connecting Diagram



Constant Current Phase/Triac dimmable driver---30W series



Please visit our website:for more information! www.scpower.net.cn