

Constant Current Phase/Triac dimmable driver---60W series



■ Features:

- Output constant current
- Universal AC input: 100-130VAC
- High efficiency :up to 87%
- Protection:short circuit/over loading/over current/ Over temperature
- Full protection aluminum housing
- Easy installation
- Cooling by free air convection
- Compatible with Forward & Reverse phase, Triac, ELV Dimmers
- Strong compatibility, flicker-free dimming
- Suitable for LED lighting and moving sign applications and others
- Provide with a junction box for connection to line voltage
- Suitable for damp location use, IP66



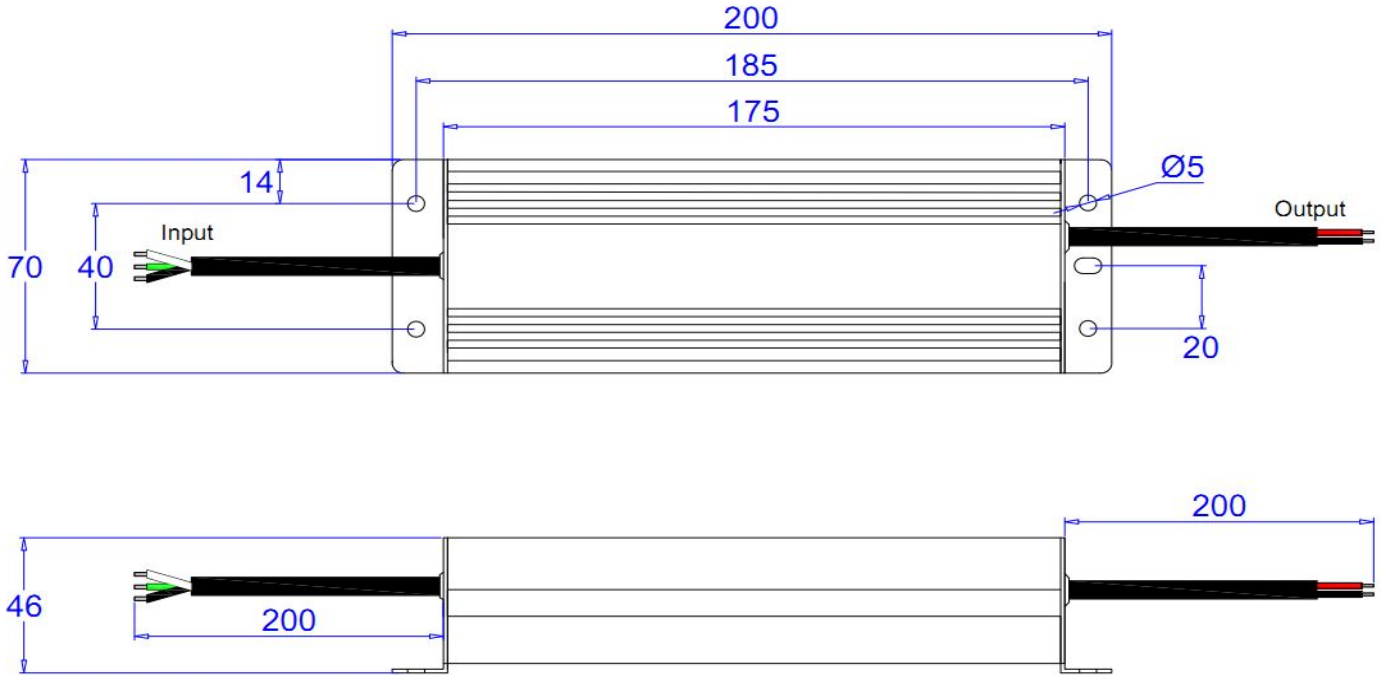
■ Specification

Model	KI-56900-TDL	KI-561050-TDL	KI-451400-TDL	KI-361750-TDL	
Certificates	ETL,FCC	ETL,FCC	ETL,FCC	ETL,cETL,FCC	
Output	Rated current	900mA	1050mA	1400mA	1750mA
	Current Tolerance	±5%			
	DC Voltage	32-56V	32-56V	25-45V	20-36V
	Open circuit voltage(Max.)	61V	61V	50V	41V
	Rated power	50.4W	58.8W	63W	63W
Input	Voltage Range	100~130VAC			
	Frequency Range	47~63HZ			
	Power Factor	PF≥0.95 (Full loading)			
	Efficiency (Typ.)	86%	87%	87%	86%
	AC Current (Max.)	0.58A	0.68A	0.76A	0.78A
	Leakage current	< 0.50mA/120VAC			
Protection	Short Circuit	Hiccup mode, recover automatically after fault condition is removed			
	Over Loading	≤120%			
	Over temperature	100℃±10℃, Shut down o/p voltage, recover automatically after temperature goes down.			
Environment	Working TEMP.	-40~+60℃			
	Working Humidity	20~95%RH, non-condensing			
	Storage TEMP. Humidity	-40~+80℃, 10~95%RH			
	TEMP .coefficient	±0.03%/℃ (0~50℃)			
	Vibration	10~500Hz, 5G 12min./1 cycle, period for 72min. each along X,Y,Z axes			
Safety& EMC	Safety standards	UL8750+UL1310 Class 2 unit			
	Withstand voltage	I/P-O/P:1500VAC			
	Isolation resistance	I/P-O/P: 100MΩ/500VDC/25℃/70%RH			
	EMC EMISSION	FCC Part 15 B			
Others	Net. Weight	0.95 Kg	1.55Kg (with junction box)		
	Size	200*70*46mm (L*W*H)	350*77*57mm(L*W*H) (with junction box)		
	packing	329*279*176mm 10PCS	350*85*65mm 10PCS		

Constant Current Phase/Triac dimmable driver--60W series

Notes	<p>1. All parameters if NOT specially mentioned are measured at 120VAC input , rated load and 25°C of ambient temperature.</p> <p>2. To extend the driver's using life ,please reduce the loading at lower input voltage.</p> <p>3.Loading should be 60-100%.</p>
--------------	---

■ Mechanical Specification for KV series 60W Phase/Triac Dimmable driver



■ Label

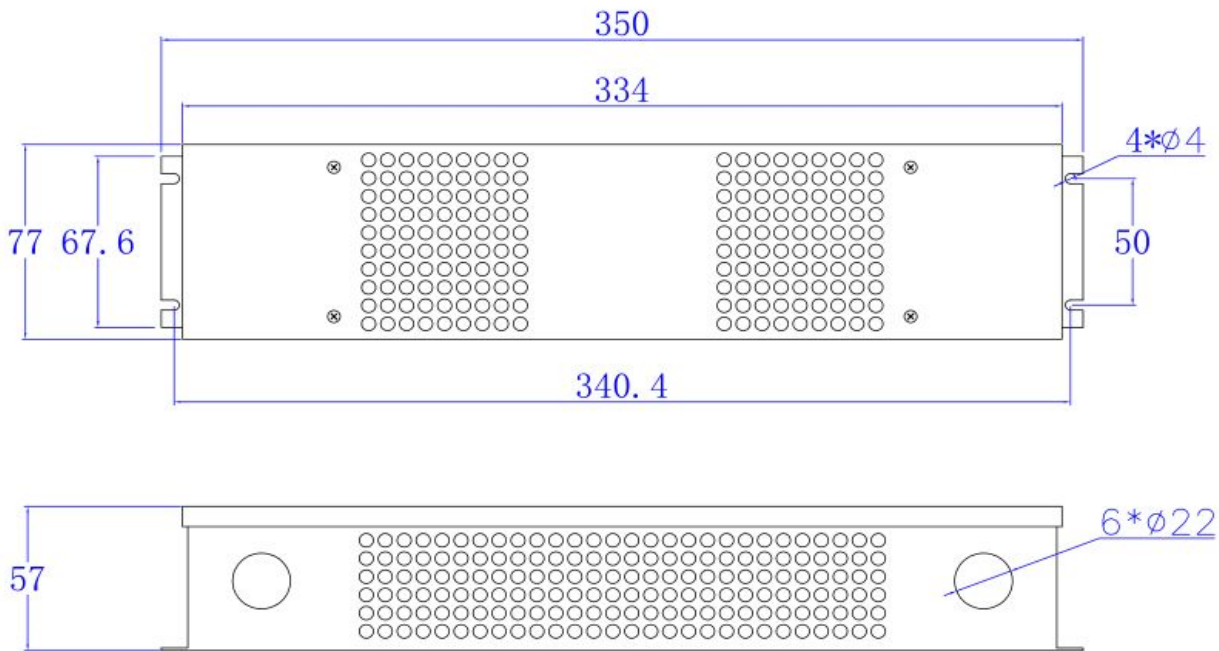


※ Input black(L) and white(N) wires to be connected AC, Green wire to be connected ground; output red and black wires to be connected led lighting.

■ Mechanical Specification for 60W Phase/Triac Dimmable Driver with junction box



Constant Current Phase/Triac dimmable driver---60W series



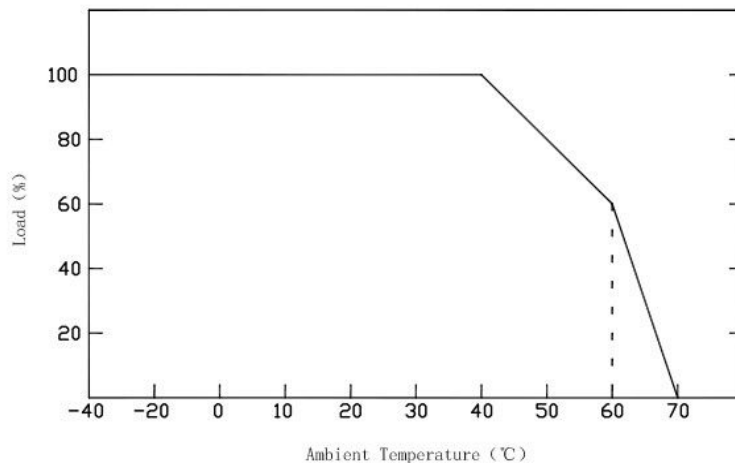
■ Dimming Operation

- ※ Output constant current level can be adjusted through input terminal of the AC phase line(L) by connection a phase/triac dimmer.
- ※ Forward phase and Reverse phase, ELV, Triac Dimmers

■ Warning

- ※ Prevent to reverse polarity; Output polarity: RED "+"; BLACK "-"
- ※ Risk of Electric Shock. When used outdoors, install only on a circuit protected by a Class A GFCI;
- ※ Risk of Fire. Installation involves special wiring methods to run wiring through a building structure. Consult a qualified electrician;
- ※ Risk of Electric Shock. Mount the unit at a height greater than 1 foot from the ground surface.

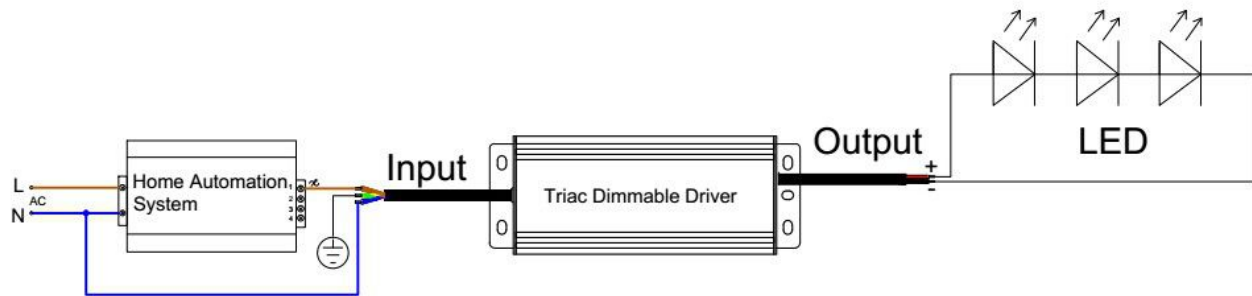
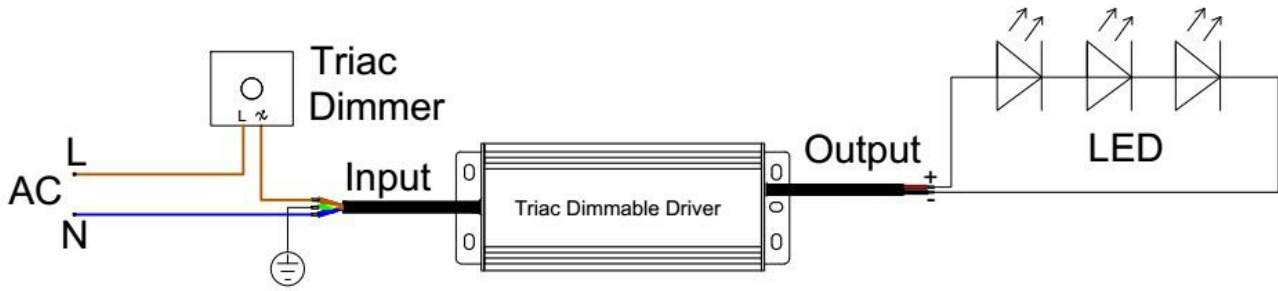
■ Derating Curve



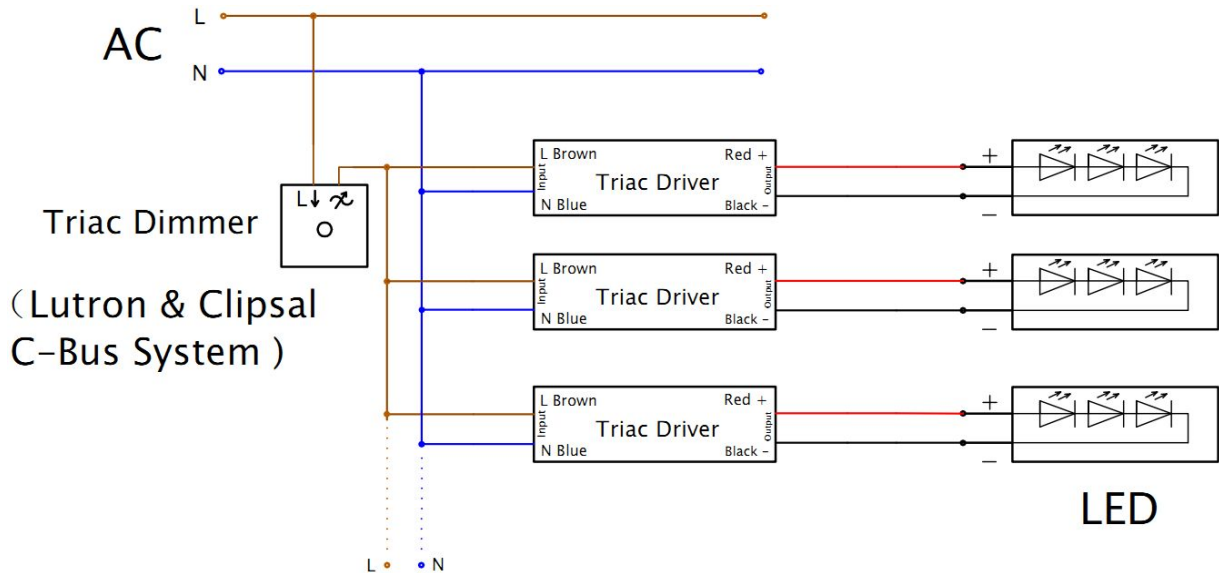
※ To extend their life, please refer to the Derating Curve and derate according to the temperature.

Constant Current Phase/Triac dimmable driver---60W series

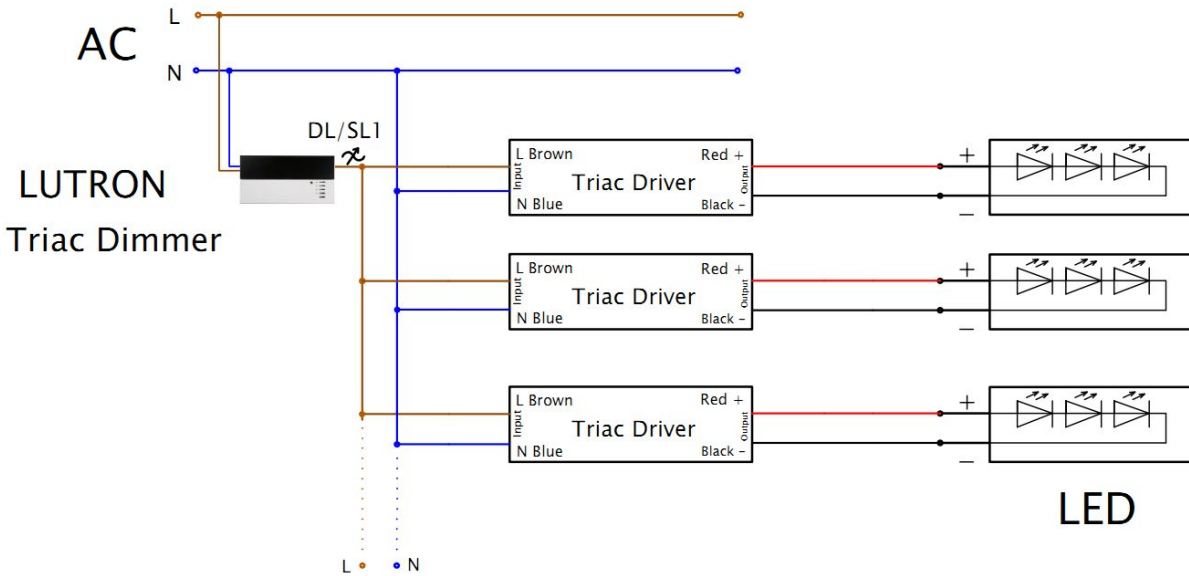
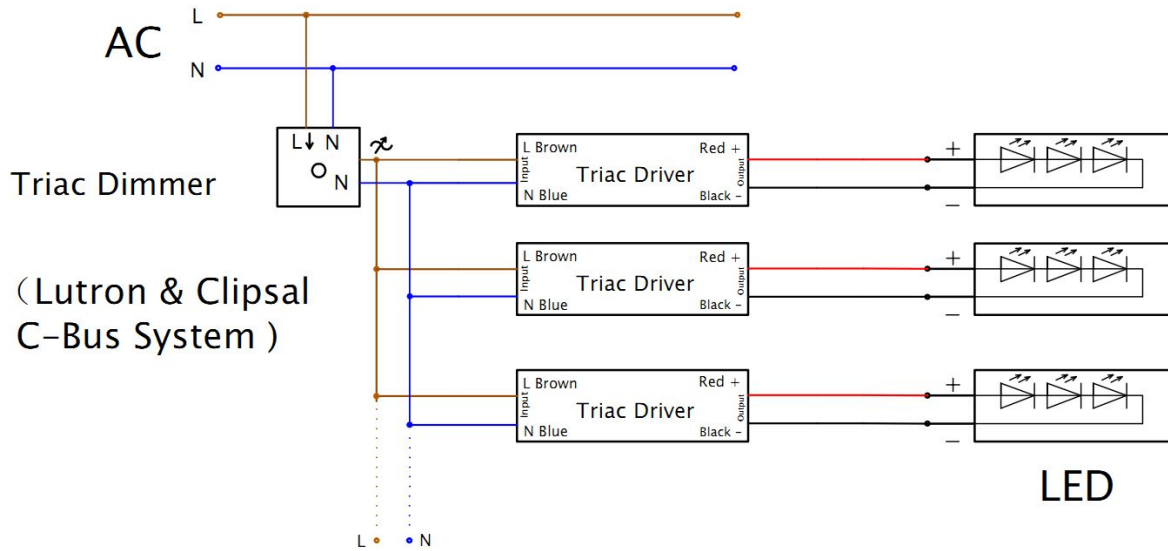
■ Single Driver Connecting Diagram



■ Multiple Drivers Connecting Diagram



Constant Current Phase/Triac dimmable driver---60W series



Please visit our website:for more information! www.scpower.net.cn